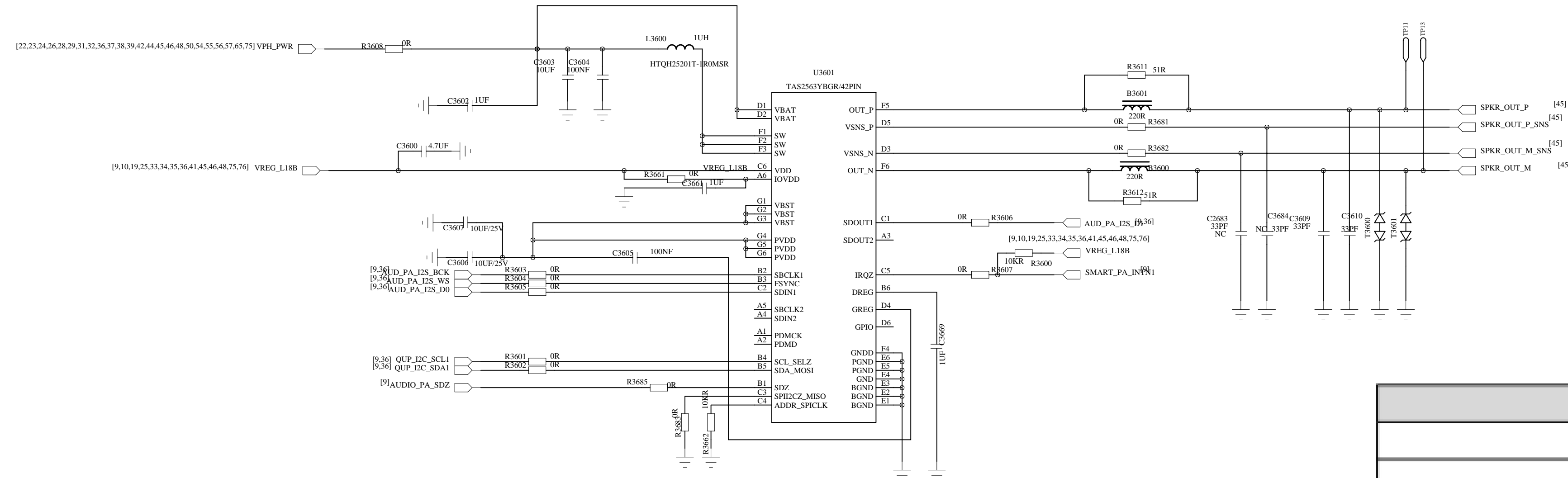


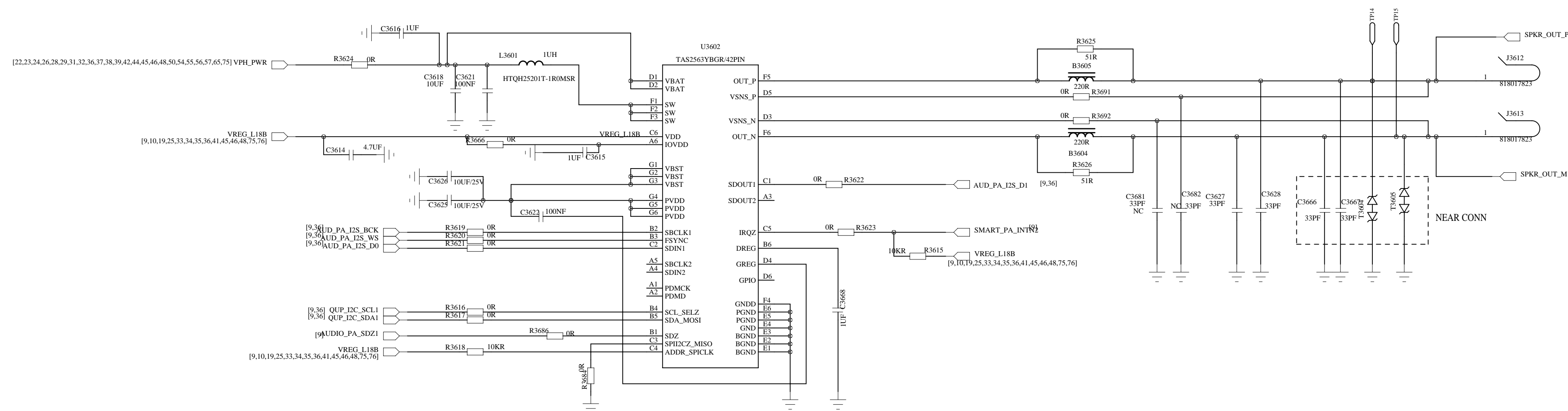
REVISION RECORD			
LTR	ECO NO.	APPROVED	DATE



I2C: 0X4D

Table 8-3. I²C Mode Address Selection

I ² C SLAVE ADDRESS	ADDR_SPICLK PIN
0x48 (global address)	NA
0x4C	GND
0x4D	10k to GND
0x4E	10k to VDD
0x4F	VDD



I2C: 0X4E

COMPANY: SIM

TITLE: 5G phone SCH

DRAWN: <Drawn By>	DATED: <Drawn Date>	CODE:	SIZE:	DRAWING NO.:	REV:
CHECKED: <Checked By>	DATED: <Checked Date>	<Code>	D	<Drawing Number>	V1.00
QUALITY CONTROL: <QC By>	DATED: <QC Date>	SCALE: <Scale>	SHEET: 36F 76		
RELEASED: ZLJ	DATED: 20170525				