

# Revision History

Rev	Approval Date	Approved By	Changes
B	1/23/2018	SCOTT BRYSON	1. CHANGE Y2 TO SIT8008BC-12-33E-24.576000G 2. CHANGE Y2 TO SIT8008BC-12-33E-22.579200G

A

A

B

B


C

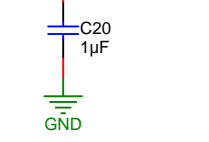
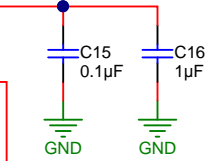
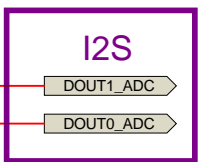
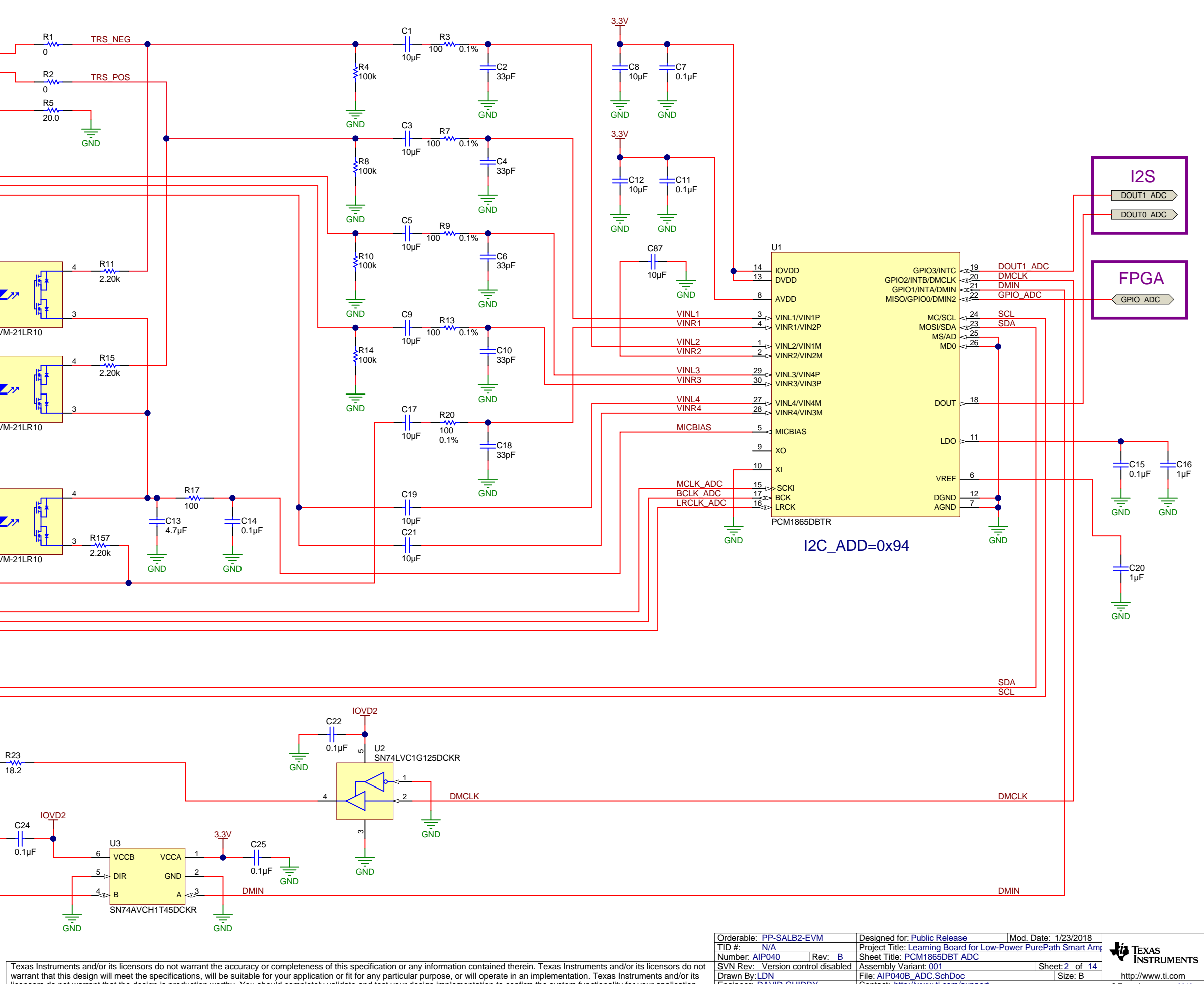
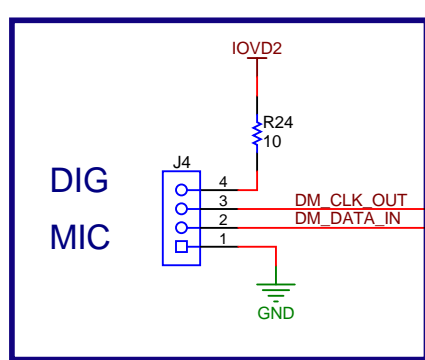
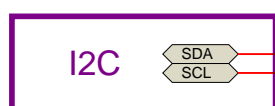
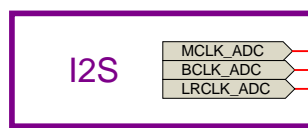
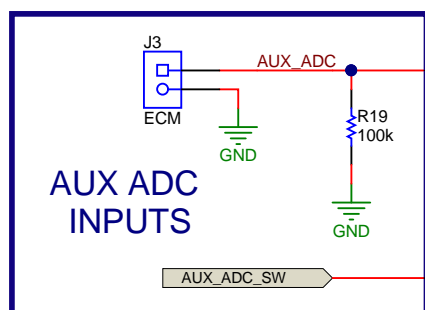
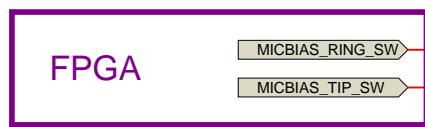
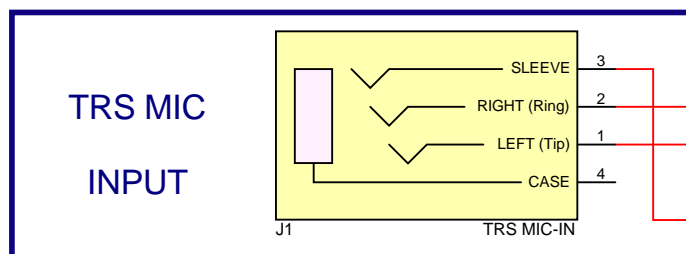
C

D

D

Texas Instruments and/or its licensors do not warrant the accuracy or completeness of this specification or any information contained therein. Texas Instruments and/or its licensors do not warrant that this design will meet the specifications, will be suitable for your application or fit for any particular purpose, or will operate in an implementation. Texas Instruments and/or its licensors do not warrant that the design is production worthy. You should completely validate and test your design implementation to confirm the system functionality for your application.

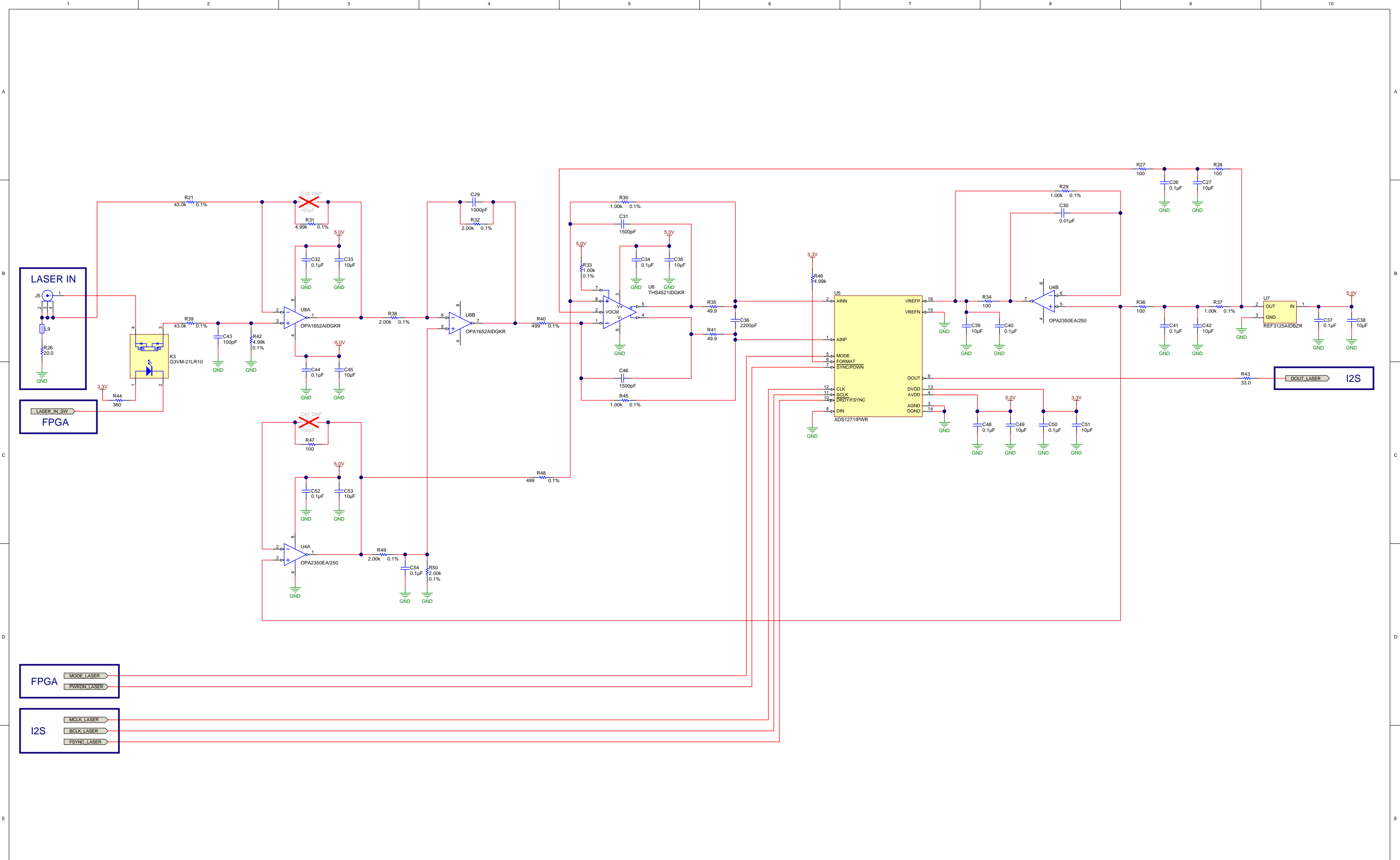
Orderable: <a href="#">PP-SALB2-EVM</a>	Designed for: <a href="#">Public Release</a>	Mod. Date: <a href="#">1/23/2018</a>	 <b>TEXAS INSTRUMENTS</b> <a href="http://www.ti.com">http://www.ti.com</a> <small>© Texas Instruments 2018</small>
TID #: <a href="#">N/A</a>	Project Title: <a href="#">Learning Board for Low-Power PurePath Smart Amp</a>		
Number: <a href="#">AIP040</a>	Rev: <a href="#">B</a>	Sheet Title: <a href="#">REVISION HISTORY</a>	
SVN Rev: <a href="#">Version control disabled</a>	Assembly Variant: <a href="#">001</a>	Sheet: <a href="#">1</a> of <a href="#">14</a>	
Drawn By: <a href="#">LDN</a>	File: <a href="#">AIP040B_RevisionHistory.SchDoc</a>	Size: <a href="#">B</a>	
Engineer: <a href="#">DAVID GUIDRY</a>	Contact: <a href="http://www.ti.com/support">http://www.ti.com/support</a>		



Texas Instruments and/or its licensors do not warrant the accuracy or completeness of this specification or any information contained therein. Texas Instruments and/or its licensors do not warrant that this design will meet the specifications, will be suitable for your application or fit for any particular purpose, or will operate in an implementation. Texas Instruments and/or its licensors do not warrant that the design is production worthy. You should completely validate and test your design implementation to confirm the system functionality for your application.

Orderable: PP-SALB2-EVM	Designed for: Public Release	Mod. Date: 1/23/2018
TID #: N/A	Project Title: Learning Board for Low-Power PurePath Smart Amp	
Number: AIP040	Rev: B	Sheet Title: PCM1865DBT ADC
SVN Rev: Version control disabled	Assembly Variant: 001	Sheet: 2 of 14
Drawn By: LDN	File: AIP040B_ADC.SchDoc	Size: B
Engineer: DAVID GUIDRY	Contact: <a href="http://www.ti.com/support">http://www.ti.com/support</a>	





**LASER IN**

J5

R26

**LASER IN SW**

FPGA

**FPGA**

MODE\_LASER

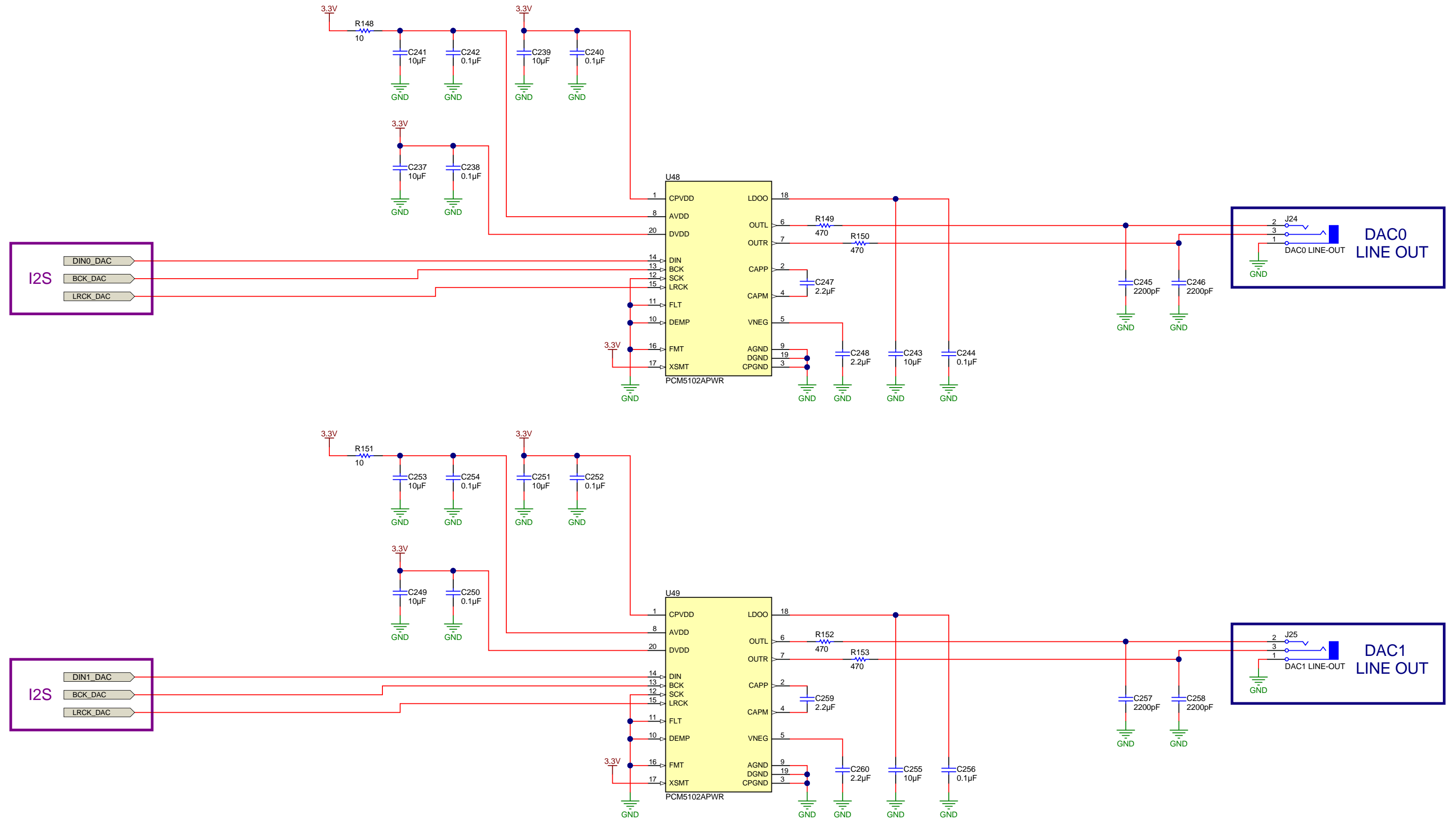
PWRDN\_LASER

**I2S**

MCLK\_LASER

BCLK\_LASER

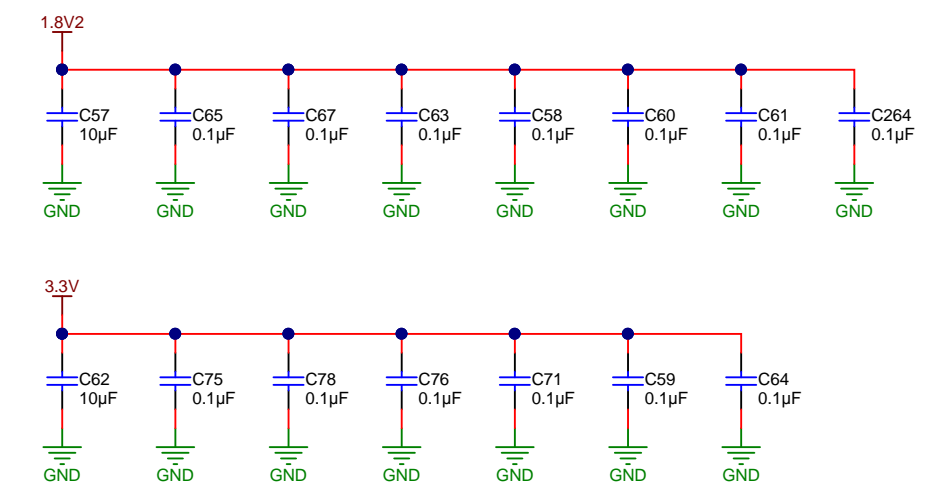
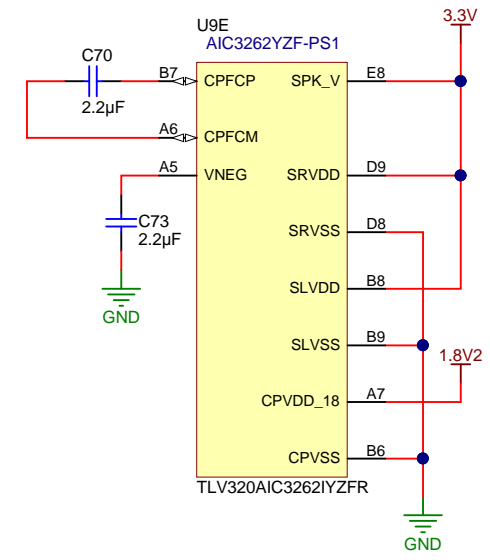
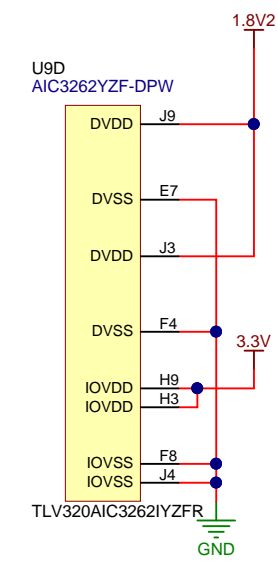
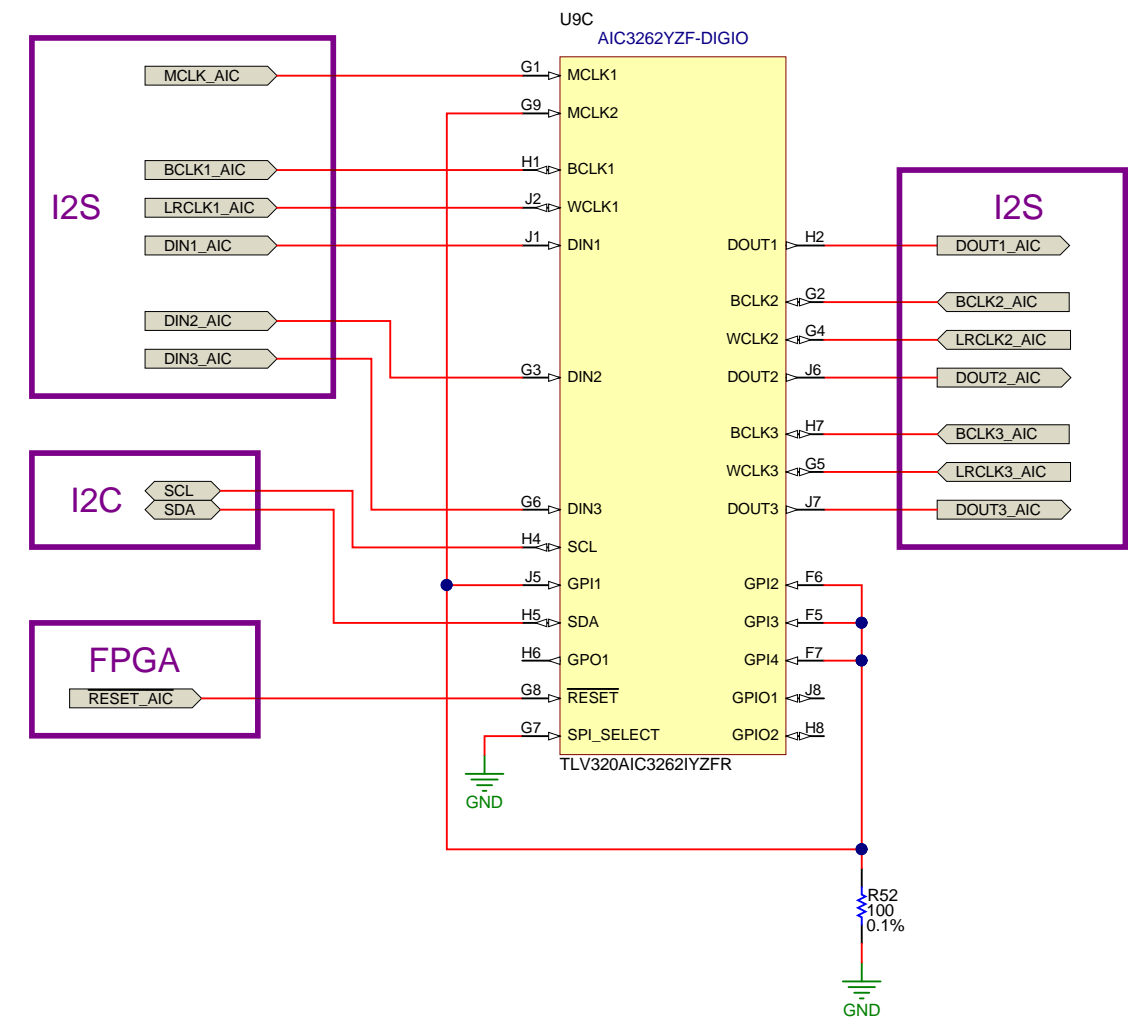
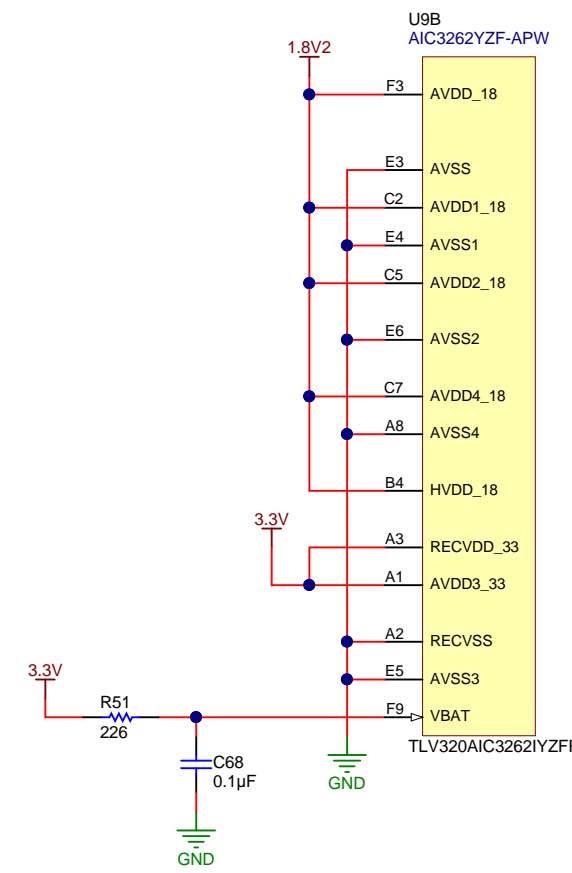
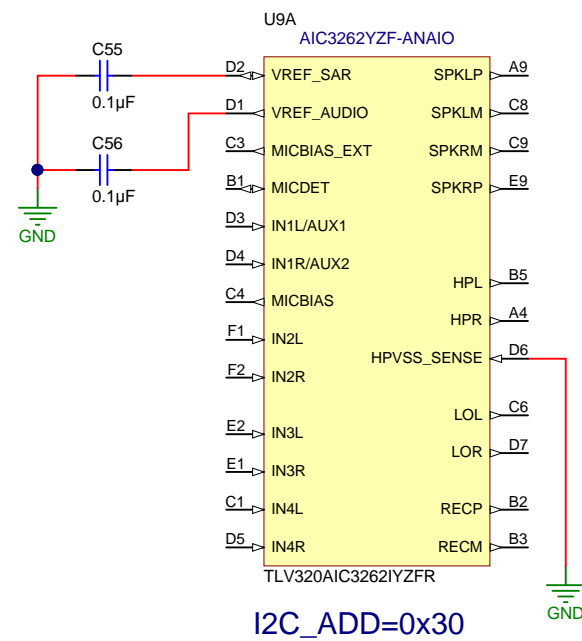
FSYNC\_LASER



Texas Instruments and/or its licensors do not warrant the accuracy or completeness of this specification or any information contained therein. Texas Instruments and/or its licensors do not warrant that this design will meet the specifications, will be suitable for your application or fit for any particular purpose, or will operate in an implementation. Texas Instruments and/or its licensors do not warrant that the design is production worthy. You should completely validate and test your design implementation to confirm the system functionality for your application.

Orderable: PP-SALB2-EVM	Designed for: Public Release	Mod. Date: 1/23/2018
TID #: N/A	Project Title: Learning Board for Low-Power PurePath Smart Amp	
Number: AIP040	Rev: B	Sheet Title: PCM5102 DAC
SVN Rev: Version control disabled	Assembly Variant: 001	Sheet: 4 of 14
Drawn By: LDN	File: AIP040B_DAC.SchDoc	Size: B
Engineer: DAVID GUIDRY	Contact: <a href="http://www.ti.com/support">http://www.ti.com/support</a>	

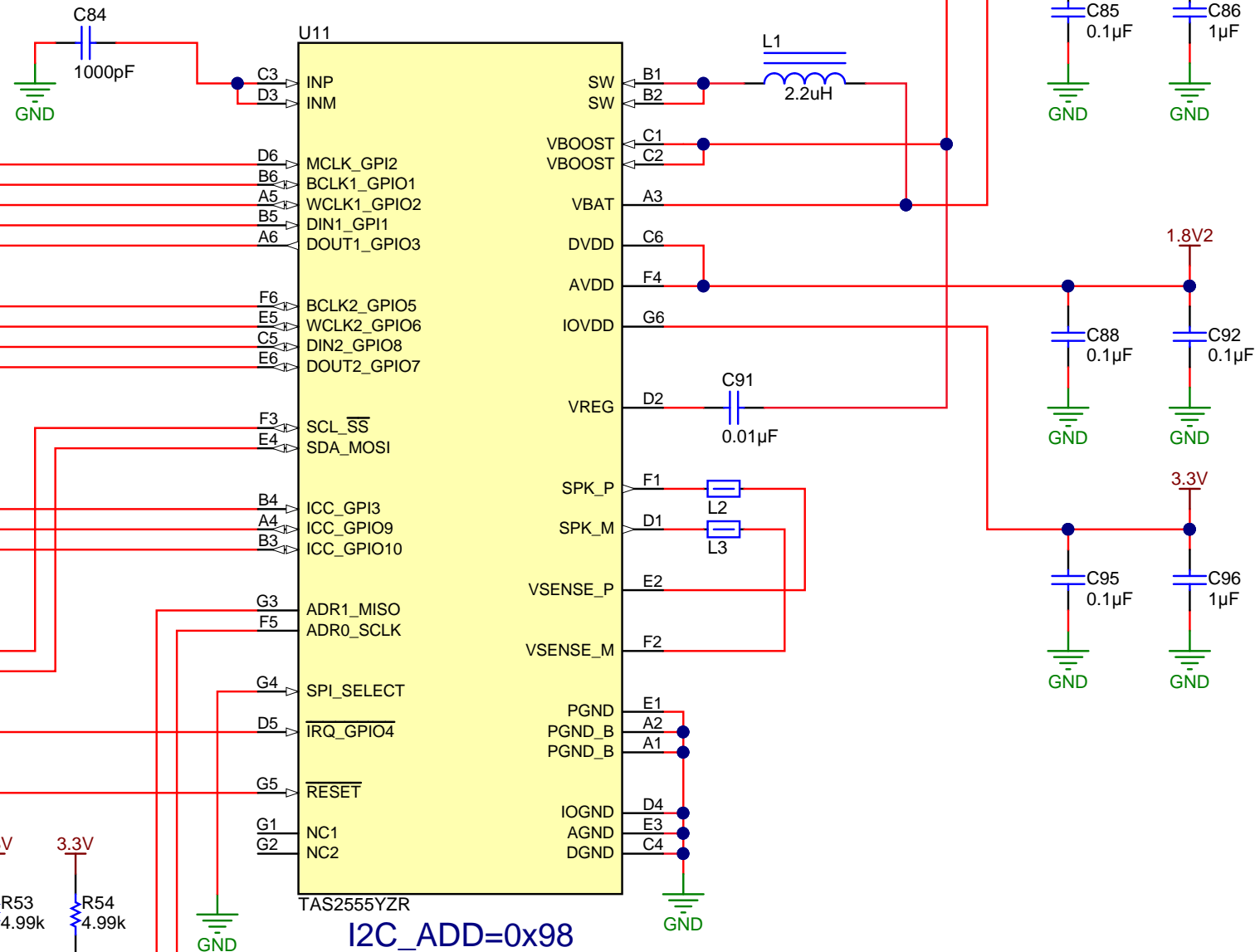
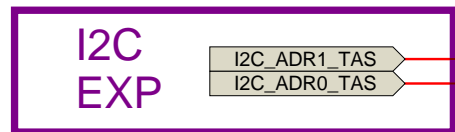
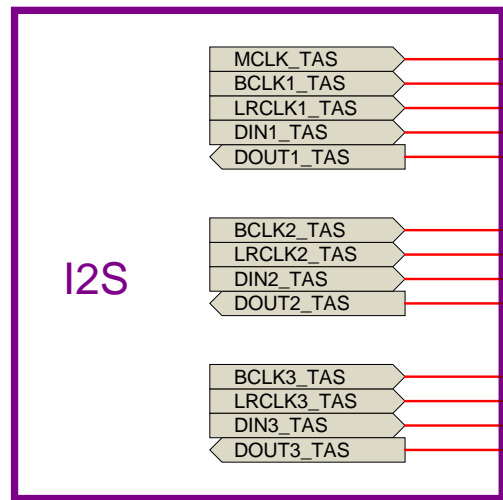
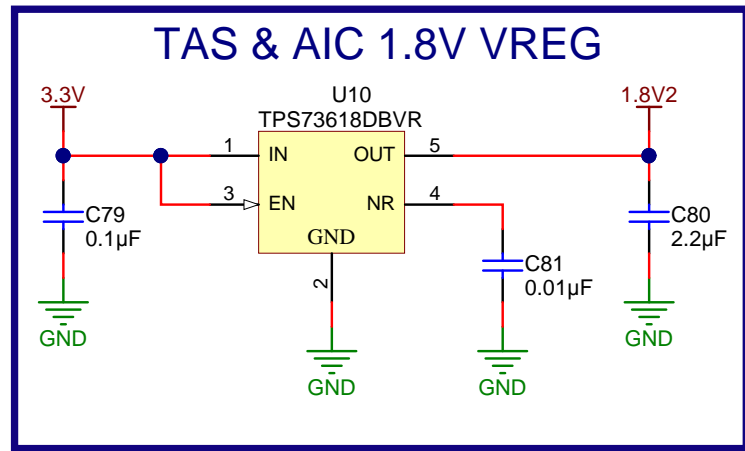




Texas Instruments and/or its licensors do not warrant the accuracy or completeness of this specification or any information contained therein. Texas Instruments and/or its licensors do not warrant that this design will meet the specifications, will be suitable for your application or fit for any particular purpose, or will operate in an implementation. Texas Instruments and/or its licensors do not warrant that the design is production worthy. You should completely validate and test your design implementation to confirm the system functionality for your application.

Orderable: PP-SALB2-EVM	Designed for: Public Release	Mod. Date: 1/23/2018
TID #: N/A	Project Title: Learning Board for Low-Power PurePath Smart Amp	
Number: AIP040	Rev: B	Sheet Title: AIC3262
SVN Rev: Version control disabled	Assembly Variant: 001	Sheet: 5 of 14
Drawn By: LDN	File: AIP040B_AIC3262.SchDoc	Size: B
Engineer: DAVID GUIDRY	Contact: <a href="http://www.ti.com/support">http://www.ti.com/support</a>	

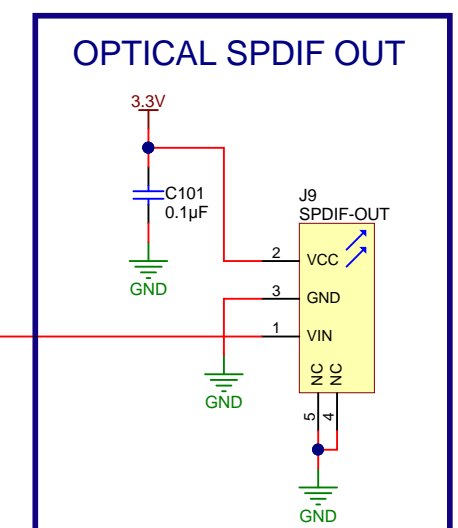
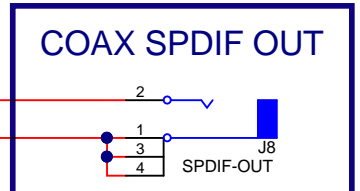
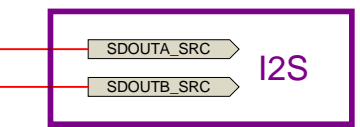
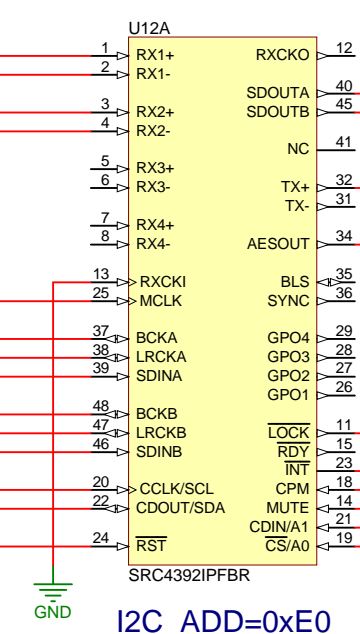
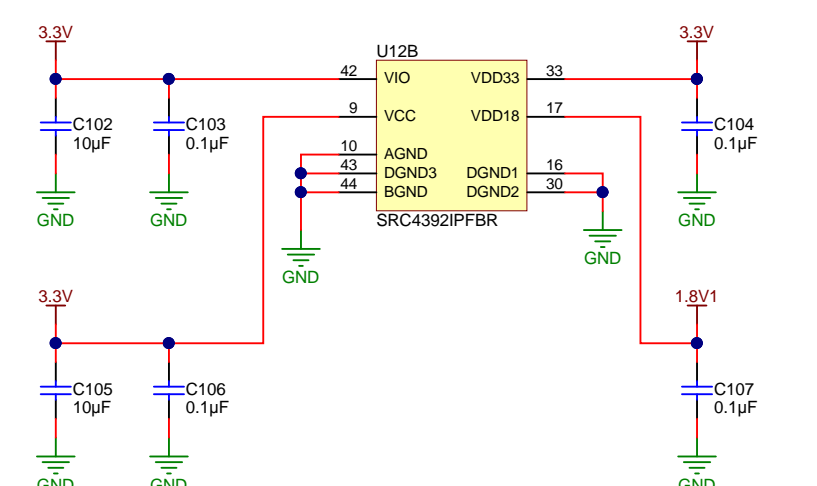
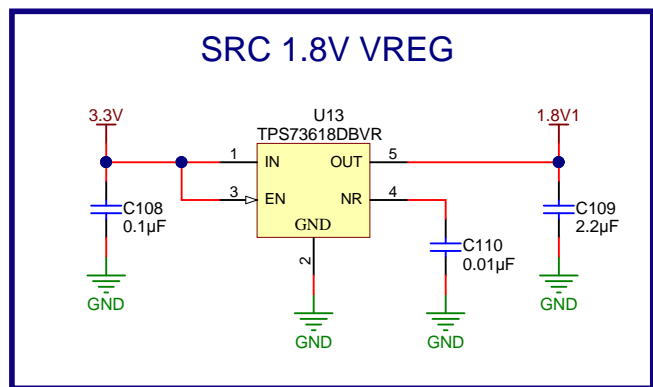
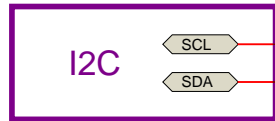
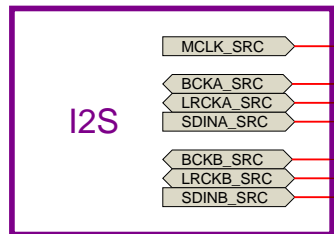
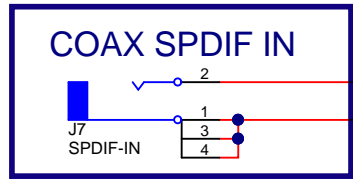
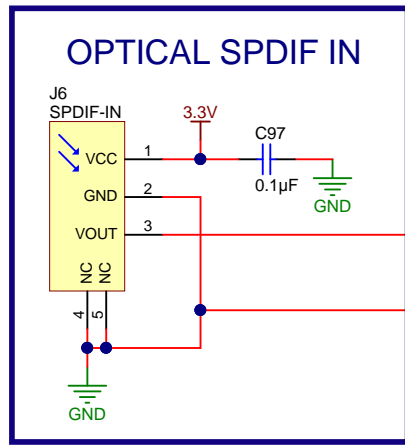


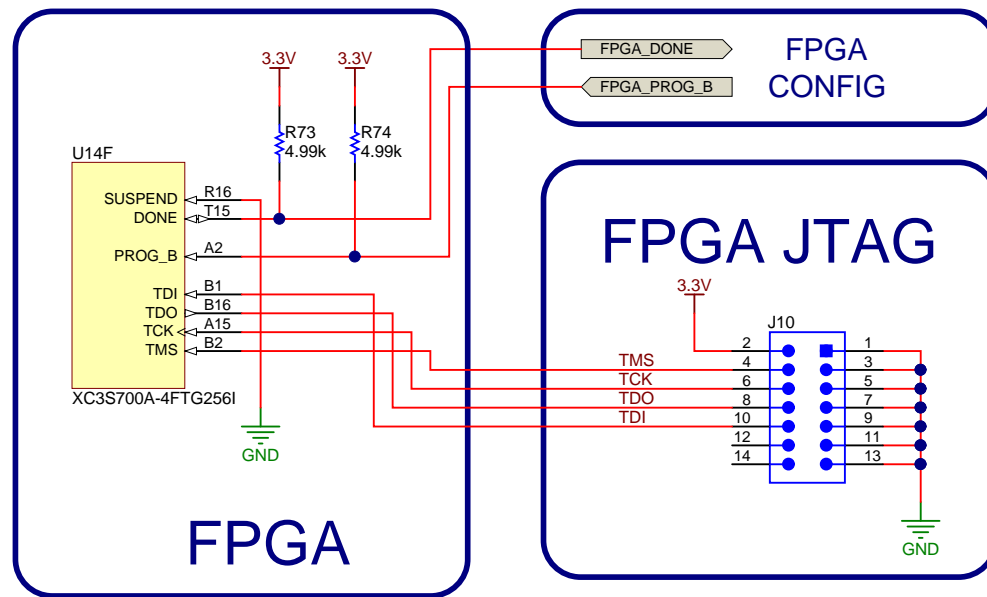
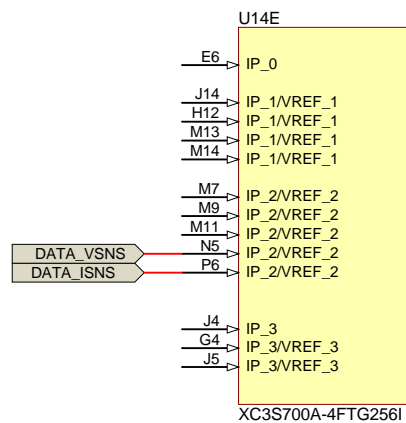
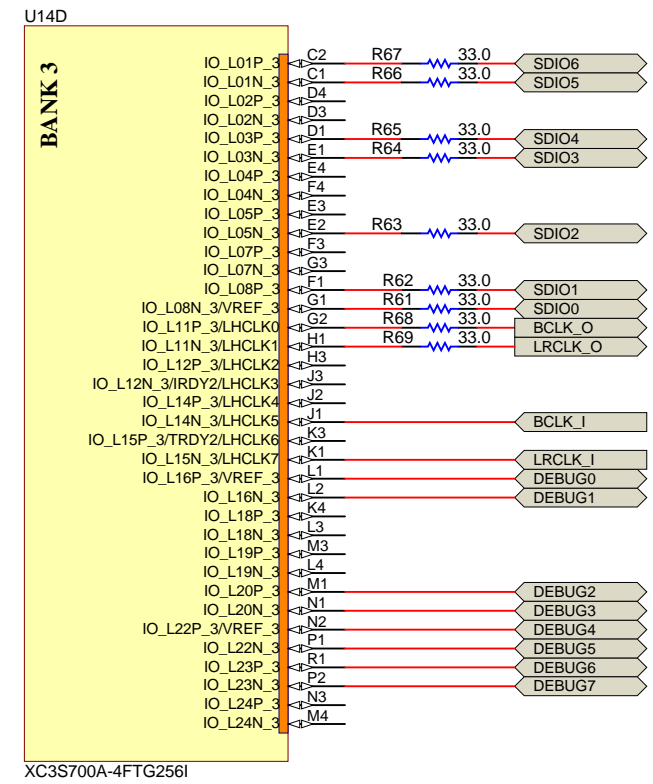
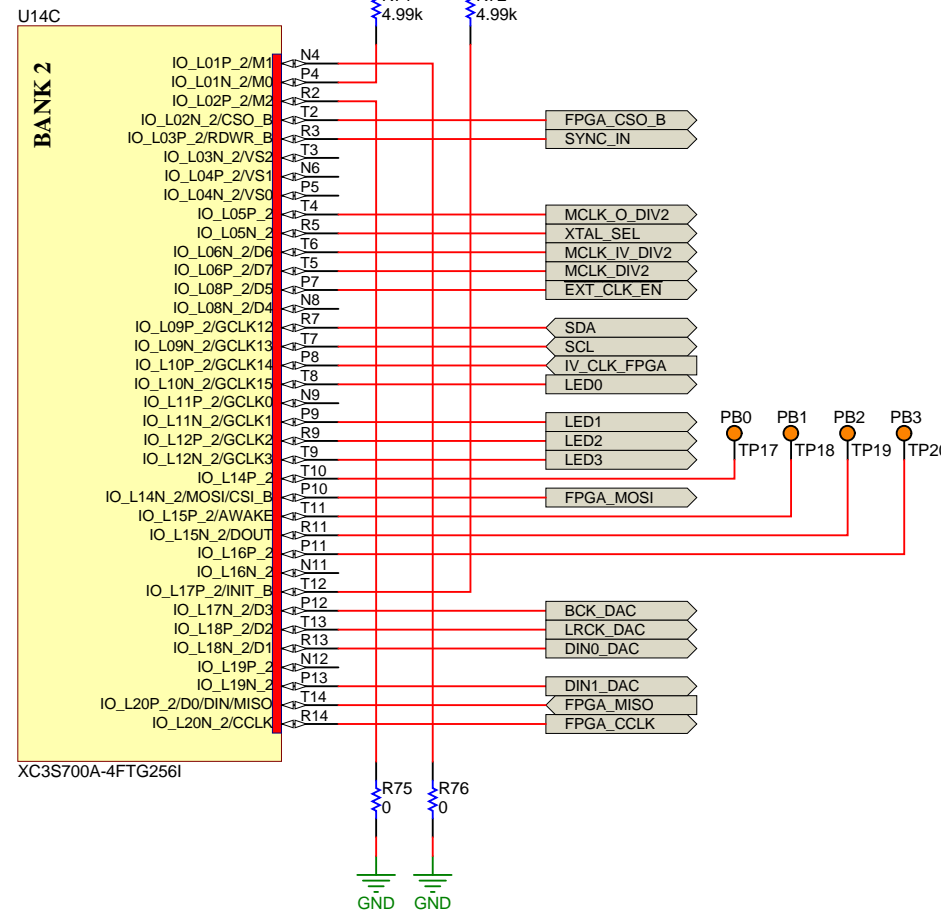
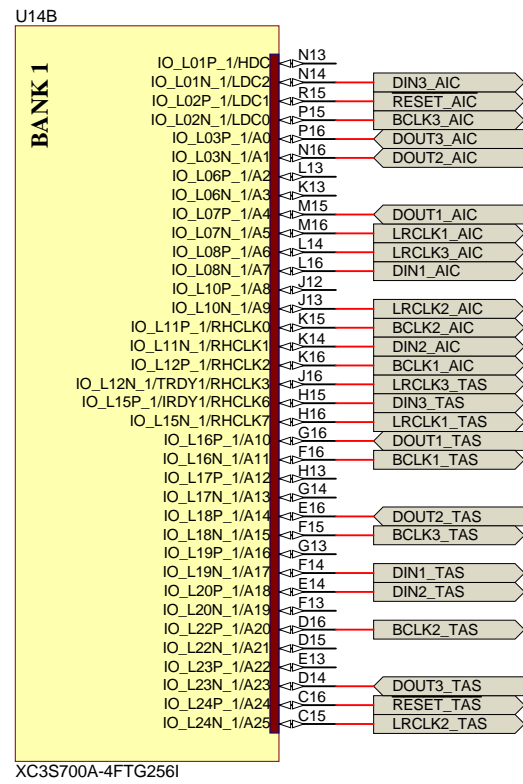
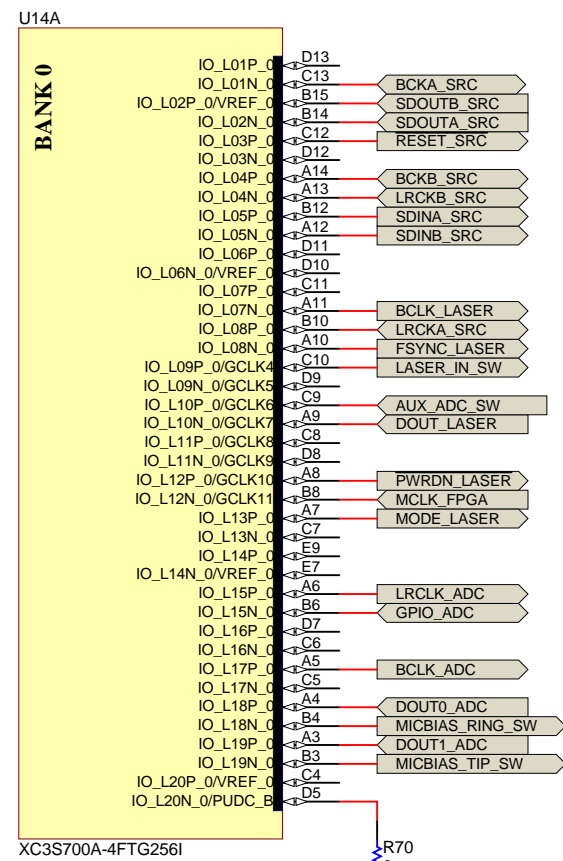


Texas Instruments and/or its licensors do not warrant the accuracy or completeness of this specification or any information contained therein. Texas Instruments and/or its licensors do not warrant that this design will meet the specifications, will be suitable for your application or fit for any particular purpose, or will operate in an implementation. Texas Instruments and/or its licensors do not warrant that the design is production worthy. You should completely validate and test your design implementation to confirm the system functionality for your application.

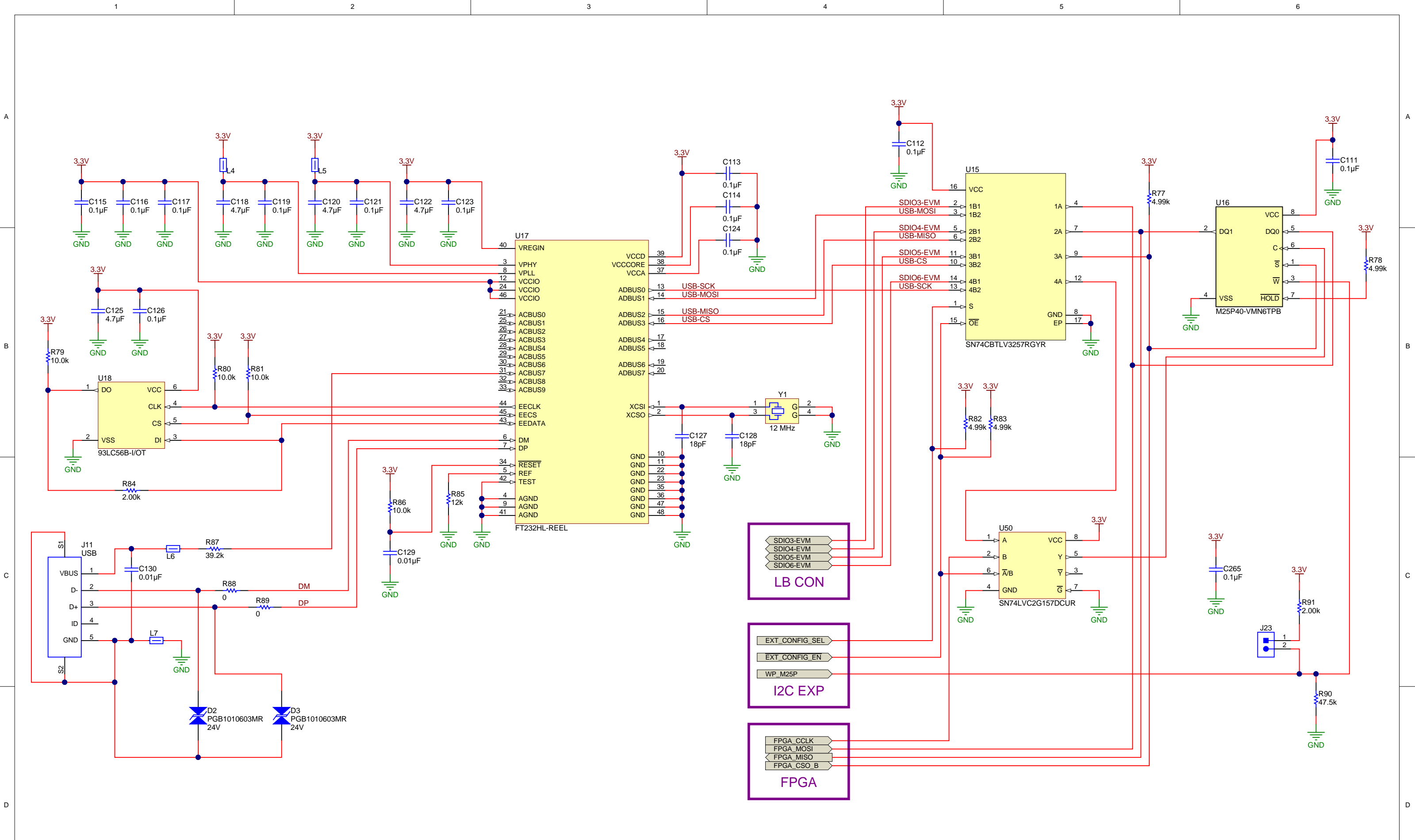
Orderable: <b>PP-SALB2-EVM</b>	Designed for: <b>Public Release</b>	Mod. Date: 1/23/2018
TID #: <b>N/A</b>	Project Title: <b>Learning Board for Low-Power PurePath Smart Am</b>	
Number: <b>AIP040</b>	Rev: <b>B</b>	Sheet Title: <b>TAS2555</b>
SVN Rev: <b>Version control disabled</b>	Assembly Variant: <b>001</b>	Sheet: <b>6</b> of <b>14</b>
Drawn By: <b>LDN</b>	File: <b>AIP040B_TAS2555.SchDoc</b>	Size: <b>Letter</b>
Engineer: <b>DAVID GUIDRY</b>	Contact: <b>http://www.ti.com/support</b>	







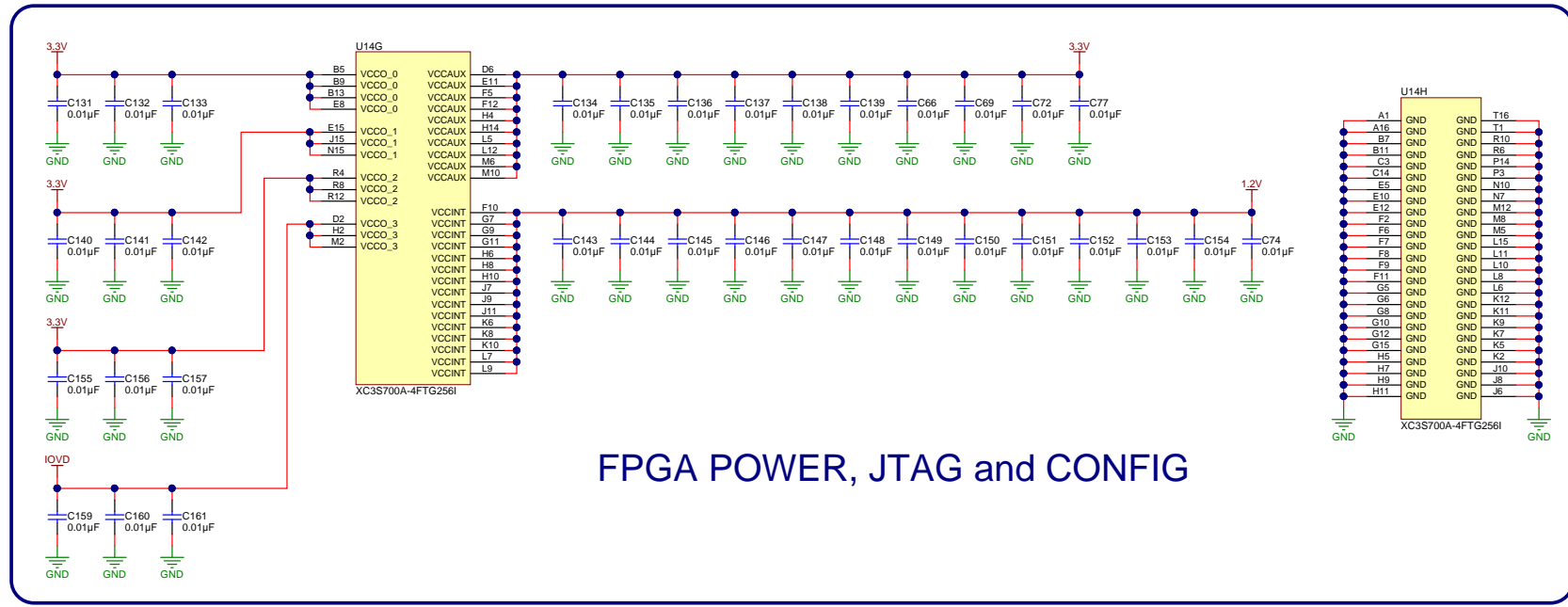




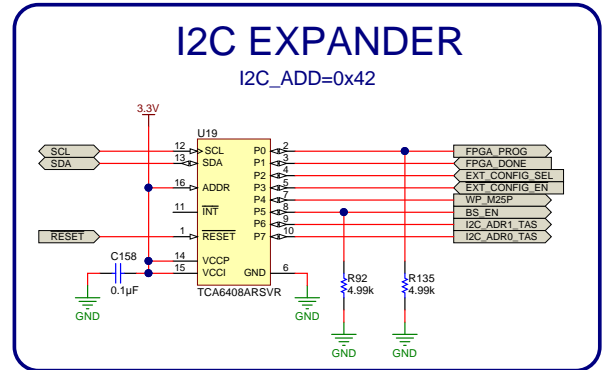
Texas Instruments and/or its licensors do not warrant the accuracy or completeness of this specification or any information contained therein. Texas Instruments and/or its licensors do not warrant that this design will meet the specifications, will be suitable for your application or fit for any particular purpose, or will operate in an implementation. Texas Instruments and/or its licensors do not warrant that the design is production worthy. You should completely validate and test your design implementation to confirm the system functionality for your application.

Orderable: PP-SALB2-EVM	Designed for: Public Release	Mod. Date: 1/23/2018
TID #: N/A	Project Title: Learning Board for Low-Power PurePath Smart Amp	
Number: AIP040	Rev: B	Sheet Title: FPGA PROGRAMMER
SVN Rev: Version control disabled	Assembly Variant: 001	Sheet: 9 of 14
Drawn By: LDN	File: AIP040B_FPGA-Programmer.SchDoc	Size: B
Engineer: DAVID GUIDRY	Contact: <a href="http://www.ti.com/support">http://www.ti.com/support</a>	

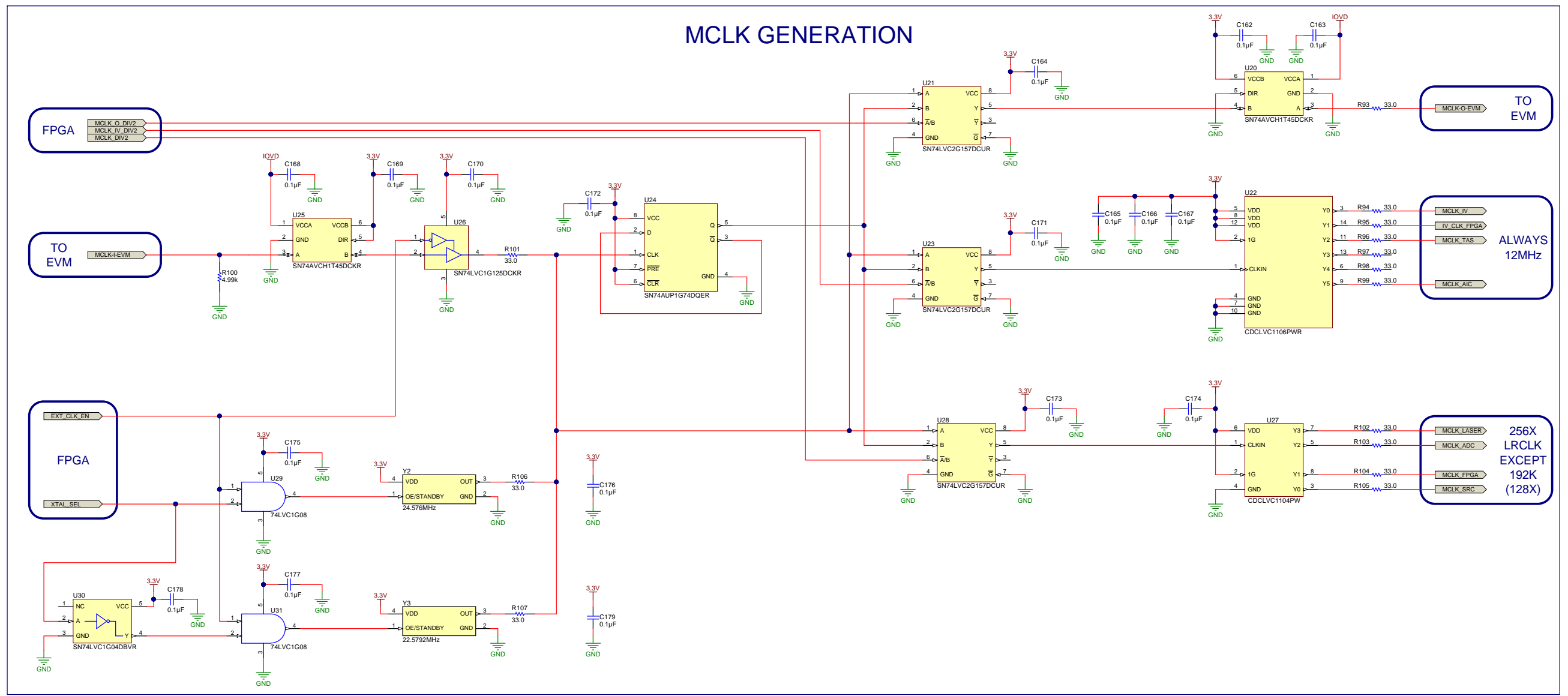




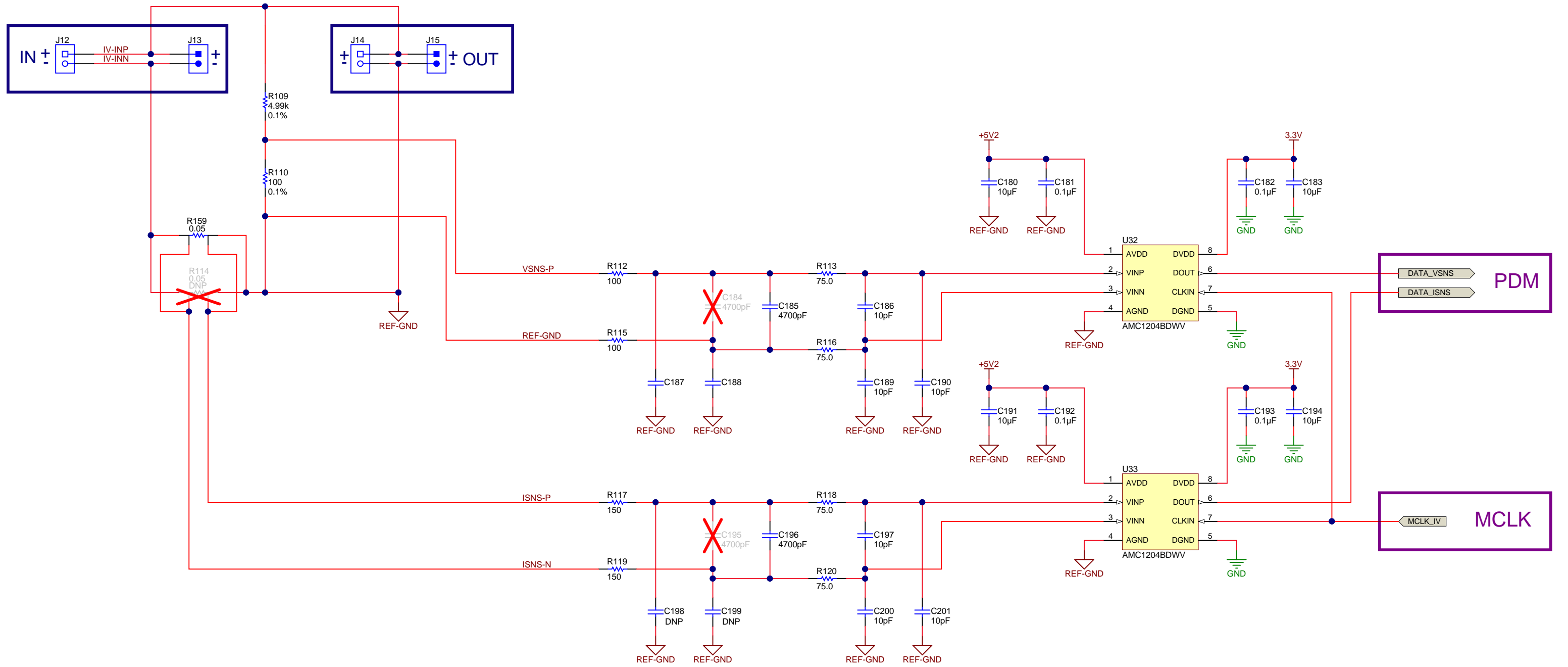
FPGA POWER, JTAG and CONFIG



I2C EXPANDER  
I2C\_ADD=0x42

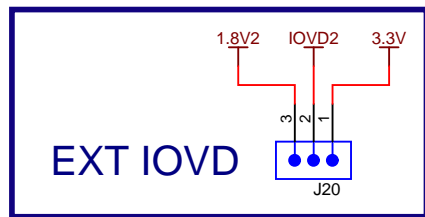
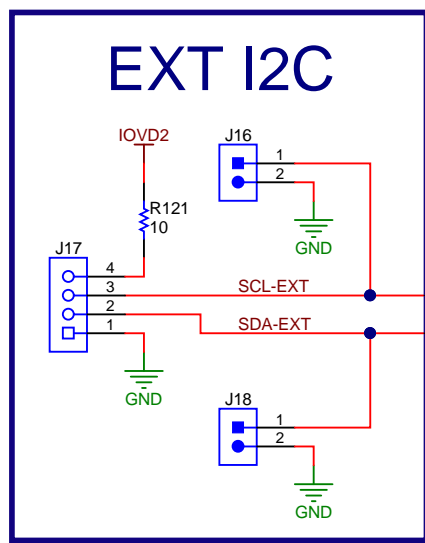


MCLK GENERATION

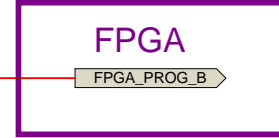
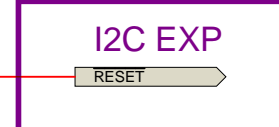
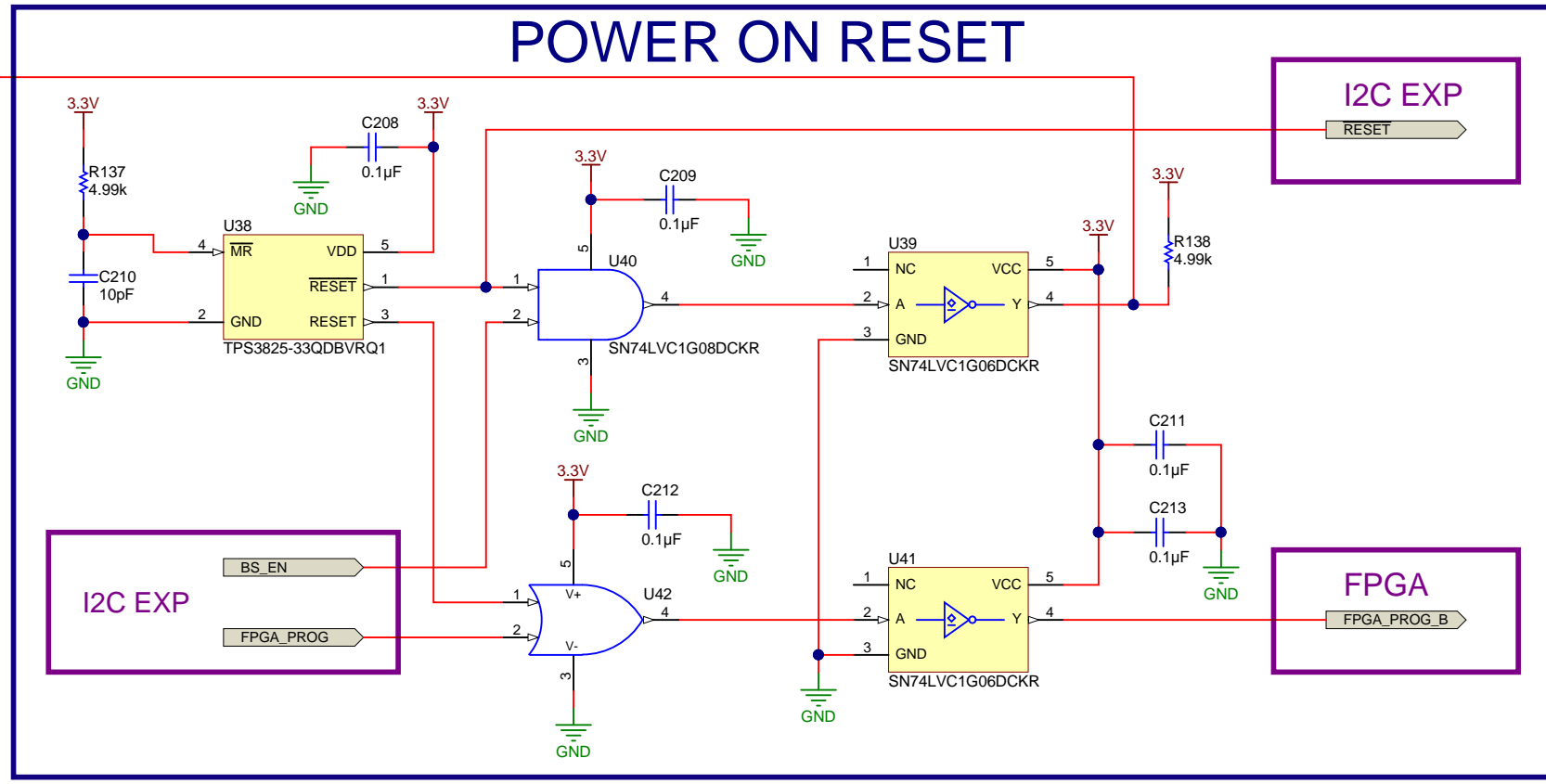
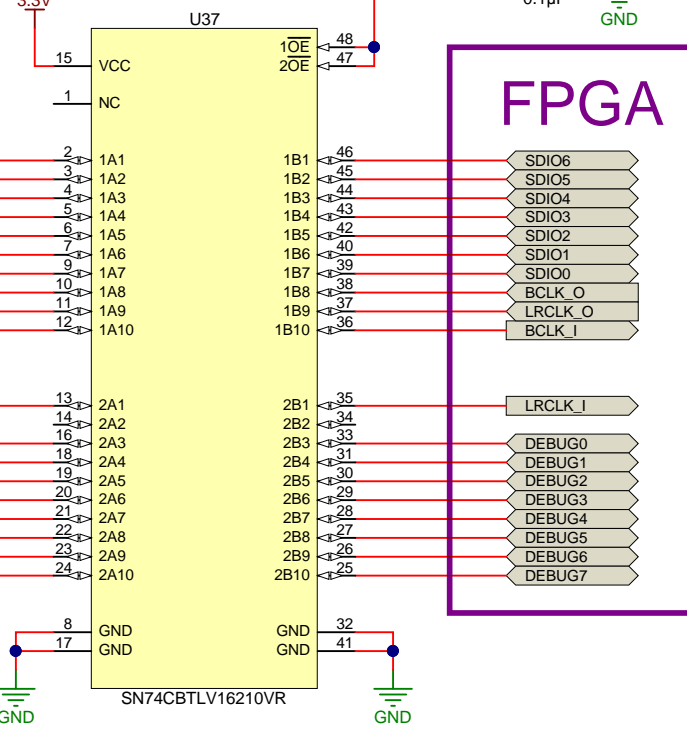
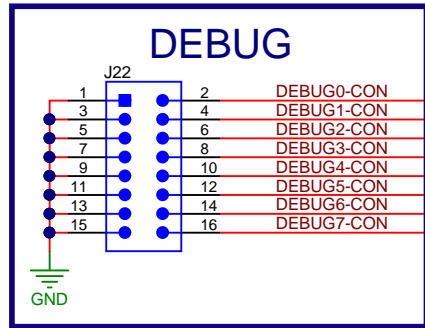
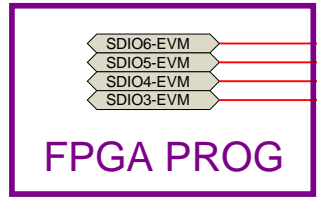
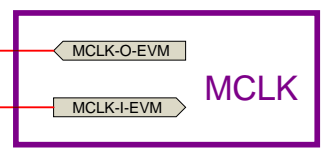
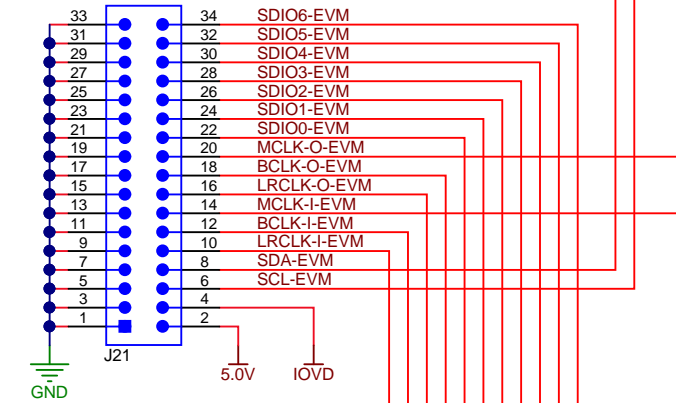
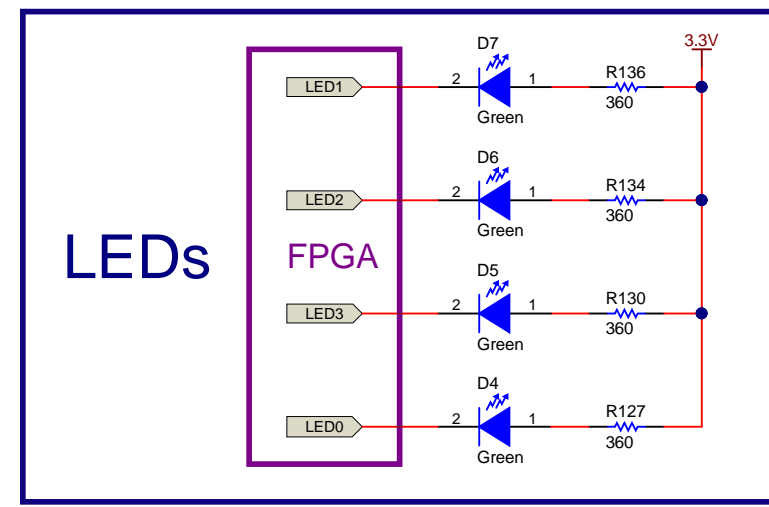
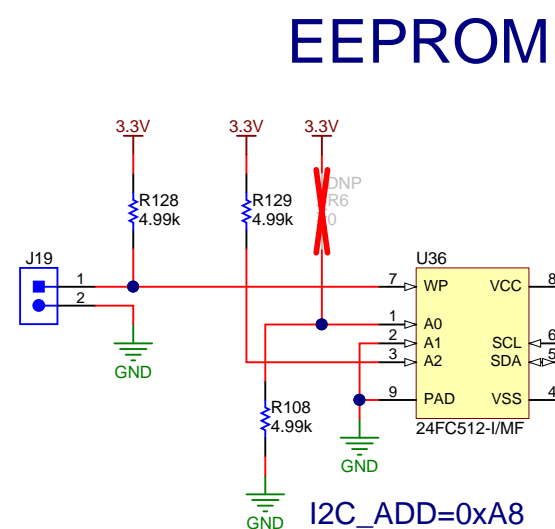
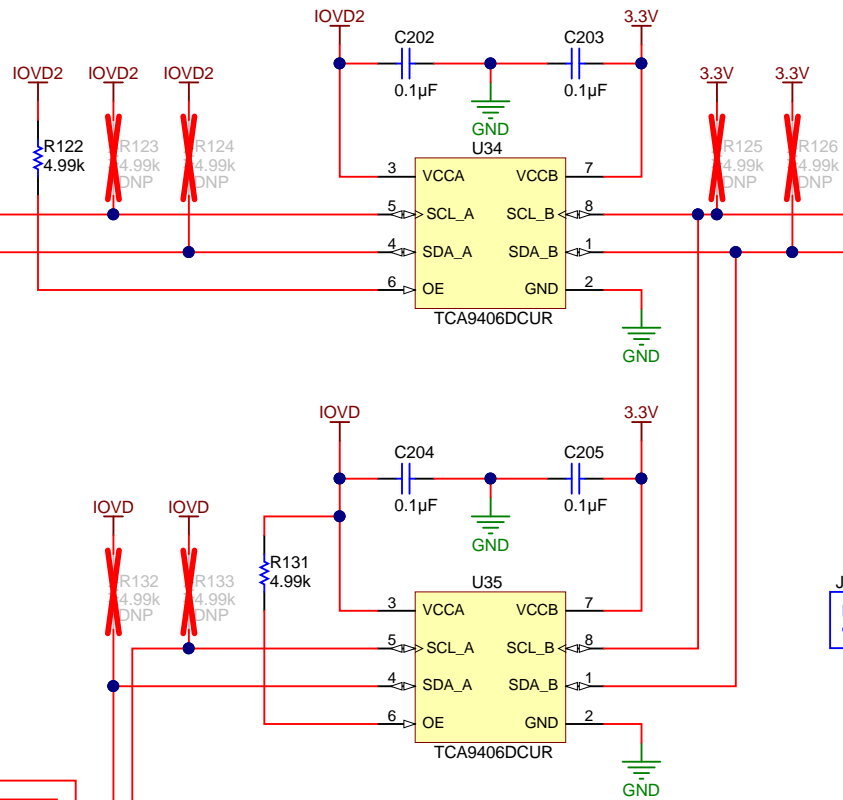


Texas Instruments and/or its licensors do not warrant the accuracy or completeness of this specification or any information contained therein. Texas Instruments and/or its licensors do not warrant that this design will meet the specifications, will be suitable for your application or fit for any particular purpose, or will operate in an implementation. Texas Instruments and/or its licensors do not warrant that the design is production worthy. You should completely validate and test your design implementation to confirm the system functionality for your application.

Orderable: PP-SALB2-EVM	Designed for: Public Release	Mod. Date: 1/23/2018	
TID #: N/A	Project Title: Learning Board for Low-Power PurePath Smart Amp	Sheet Title: IV-SENSE	
Number: AIP040	Rev: B	Assembly Variant: 001	Sheet: 11 of 14
SVN Rev: Version control disabled	File: AIP040B_IV-Sense.SchDoc	Size: B	http://www.ti.com
Drawn By: LDN	Engineer: DAVID GUIDRY	Contact: http://www.ti.com/support	© Texas Instruments 2018



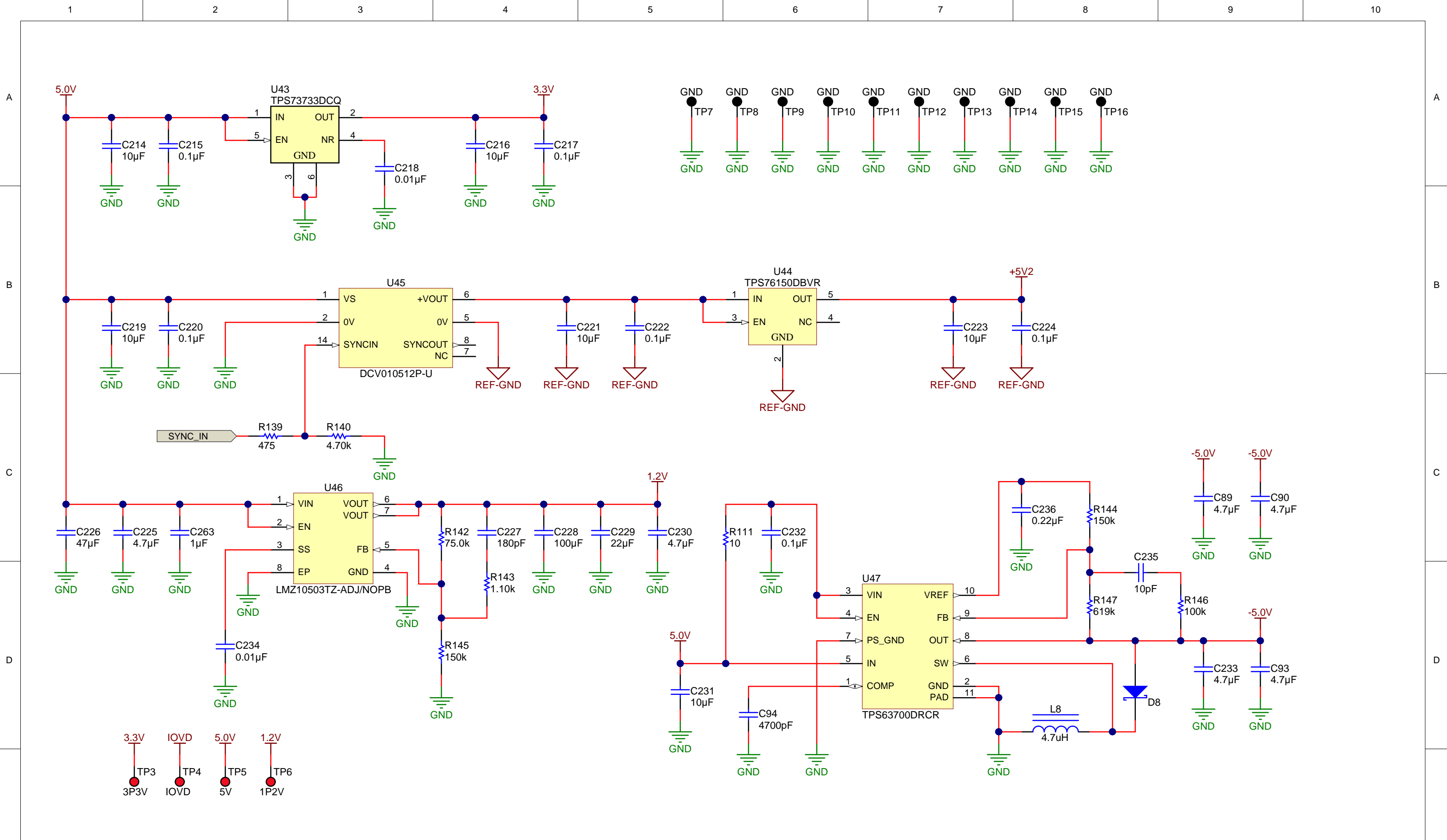
## I2C TRANSLATORS



Texas Instruments and/or its licensors do not warrant the accuracy or completeness of this specification or any information contained therein. Texas Instruments and/or its licensors do not warrant that this design will meet the specifications, will be suitable for your application or fit for any particular purpose, or will operate in an implementation. Texas Instruments and/or its licensors do not warrant that the design is production worthy. You should completely validate and test your design implementation to confirm the system functionality for your application.

Orderable: PP-SALB2-EVM	Designed for: Public Release	Mod. Date: 1/23/2018
TID #: N/A	Project Title: Learning Board for Low-Power PurePath Smart Amp	
Number: AIP040	Rev: B	Sheet Title: MISC CIRCUITS
SVN Rev: Version control disabled	File: AIP040B_Misc.SchDoc	Sheet: 12 of 14
Drawn By: LDN	Engineer: DAVID GUIDRY	Contact: http://www.ti.com/support

© Texas Instruments 2018



Texas Instruments and/or its licensors do not warrant the accuracy or completeness of this specification or any information contained therein. Texas Instruments and/or its licensors do not warrant that this design will meet the specifications, will be suitable for your application or fit for any particular purpose, or will operate in an implementation. Texas Instruments and/or its licensors do not warrant that the design is production worthy. You should completely validate and test your design implementation to confirm the system functionality for your application.

Orderable: [PP-SALB2-EVM](#)  
 Sheet: 13 of 14  
 Number: [AIP040](#)  
 SVN Rev: Version control disabled  
 Drawn By: [LDN](#)  
 Engineer: [DAVID GUIDRY](#)

Designed for: [Public Release](#)  
 Project Title: [Learning Board for Low-Power PurePath Smart Amp](#)  
 Sheet Title: [Power Supplies](#)  
 Assembly Variant: [001](#)  
 File: [AIP040B\\_PowerSupply.SchDoc](#)  
 Contact: <http://www.ti.com/support>

TID #: [N/A](#)  
 Mod. Date: [1/23/2018](#)  
 Size: [AB](#)  
 Rev: [B](#)



## KITTING LIST ITEMS

**H13**  
**MECH** Learning Board 2 Accessory Board, AIP054  
 PP-SALB2ACC-EVM

**H14**  
**MECH** IDC34 Ribbon Cable Assembly  
 CBL008-001

**H15**  
**MECH** RCA to 3.5mm Adapter, 1.5m  
 AK243-015-R

**H20**  
**MECH** RCA Cable, 1.5m  
 AV200-R

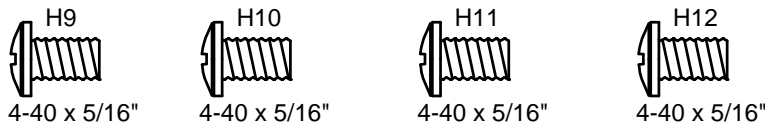
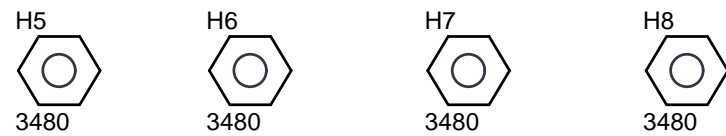
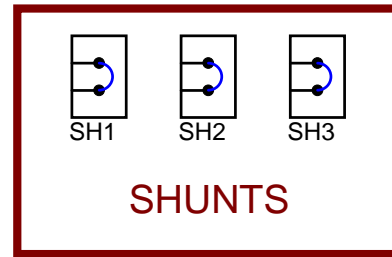
**H21**  
**MECH** MixMux2 Stereo Connector Board, AIP057  
 MIXMUX2-EVM  
 EDGE #6594950

**H16**  
**MECH** IV-Sense 1 Cable Assembly  
 CBL008-002

**H17**  
**MECH** 1/4" to RCA Adapter  
 6878

**H18**  
**MECH** IV-Sense 2 Cable Assembly  
 CBL008-003

**H19**  
**MECH** Calibrated Measurement Microphone  
 IMM-6



PCB Number: AIP040  
 PCB Rev: B



**PCB LOGO**  
 Texas Instruments    **PCB LOGO**  
 Pb-Free Symbol    **PCB LOGO**  
 FCC disclaimer

**ZZ1**  
**Assembly Note**  
 These assemblies are ESD sensitive, ESD precautions shall be observed.

**ZZ2**  
**Assembly Note**  
 These assemblies must be clean and free from flux and all contaminants. Use of no clean flux is not acceptable.

**ZZ3**  
**Assembly Note**  
 These assemblies must comply with workmanship standards IPC-A-610 Class 2, unless otherwise specified.

Texas Instruments and/or its licensors do not warrant the accuracy or completeness of this specification or any information contained therein. Texas Instruments and/or its licensors do not warrant that this design will meet the specifications, will be suitable for your application or fit for any particular purpose, or will operate in an implementation. Texas Instruments and/or its licensors do not warrant that the design is production worthy. You should completely validate and test your design implementation to confirm the system functionality for your application.

Orderable: <a href="#">PP-SALB2-EVM</a>	Designed for: <a href="#">Public Release</a>	Mod. Date: 1/23/2018
TID #: <a href="#">N/A</a>	Project Title: <a href="#">Learning Board for Low-Power PurePath Smart Am</a>	
Number: <a href="#">AIP040</a>	Rev: <a href="#">B</a>	Sheet Title: <a href="#">HARDWARE</a>
SVN Rev: <a href="#">Version control disabled</a>	Assembly Variant: <a href="#">001</a>	Sheet: <a href="#">14 of 14</a>
Drawn By: <a href="#">LDN</a>	File: <a href="#">AIP040B_EVM_Hardware.SchDoc</a>	Size: <a href="#">A4</a>
Engineer: <a href="#">DAVID GUIDRY</a>	Contact: <a href="#">http://www.ti.com/support</a>	