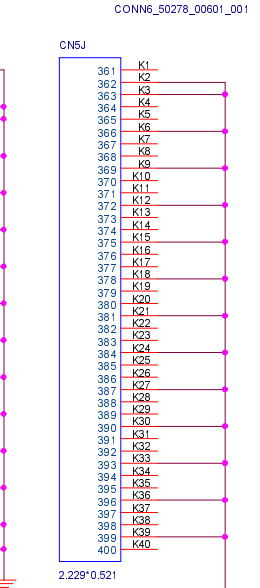
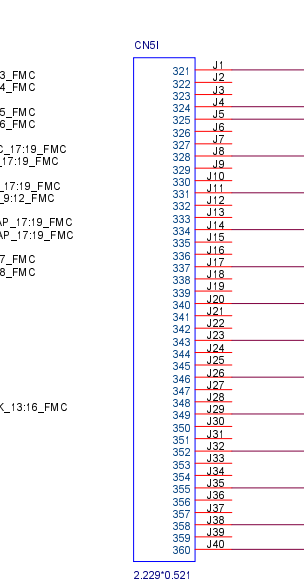
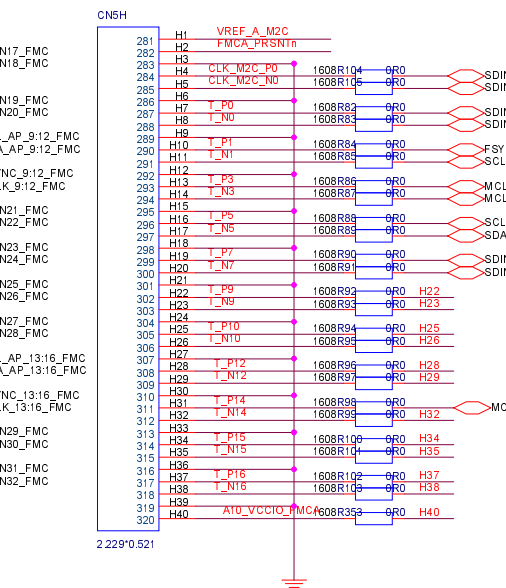
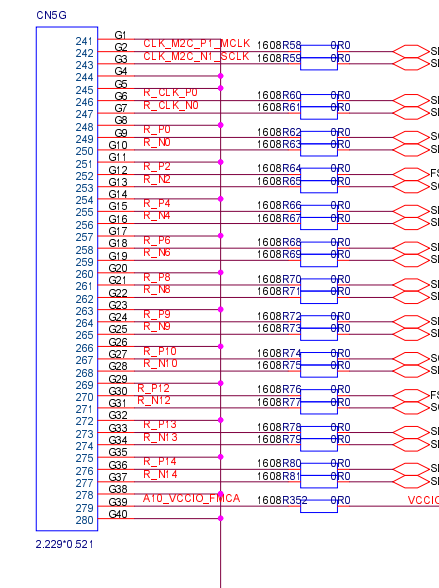
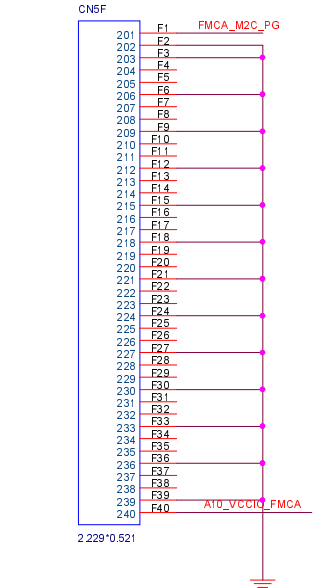
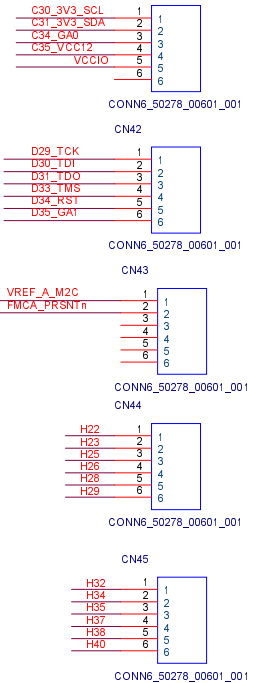
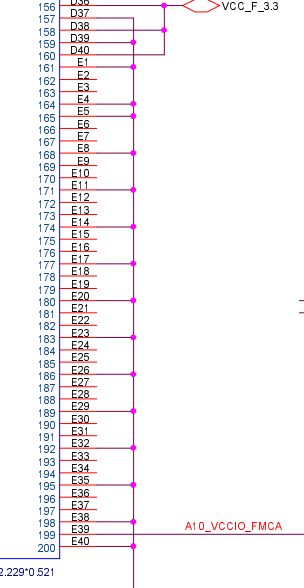
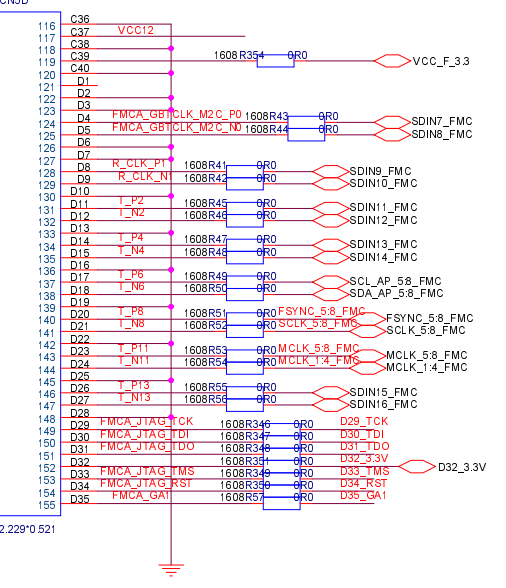
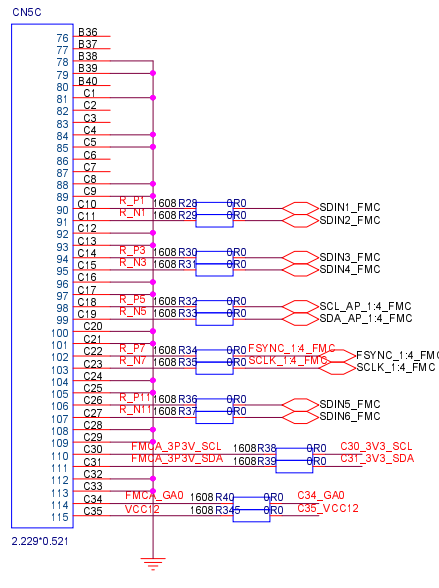
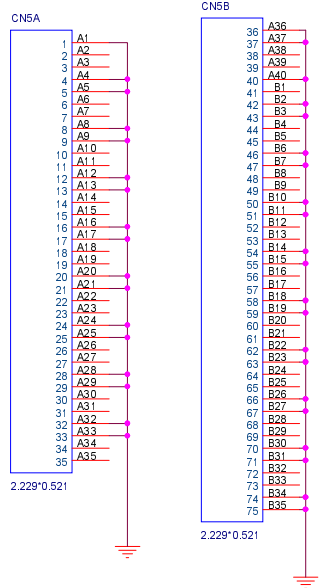
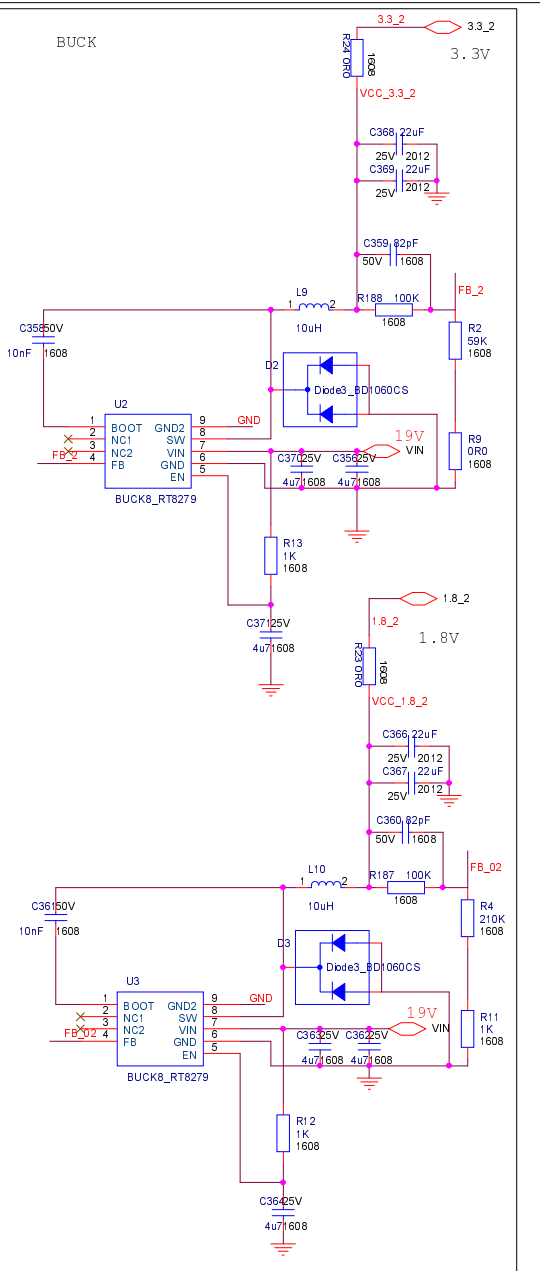
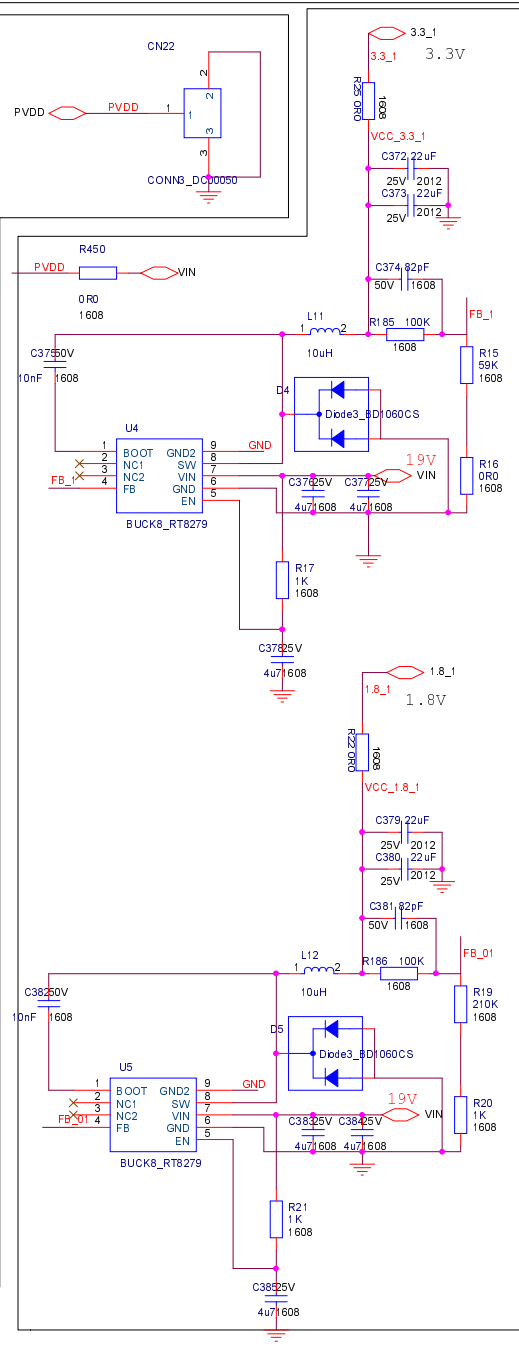
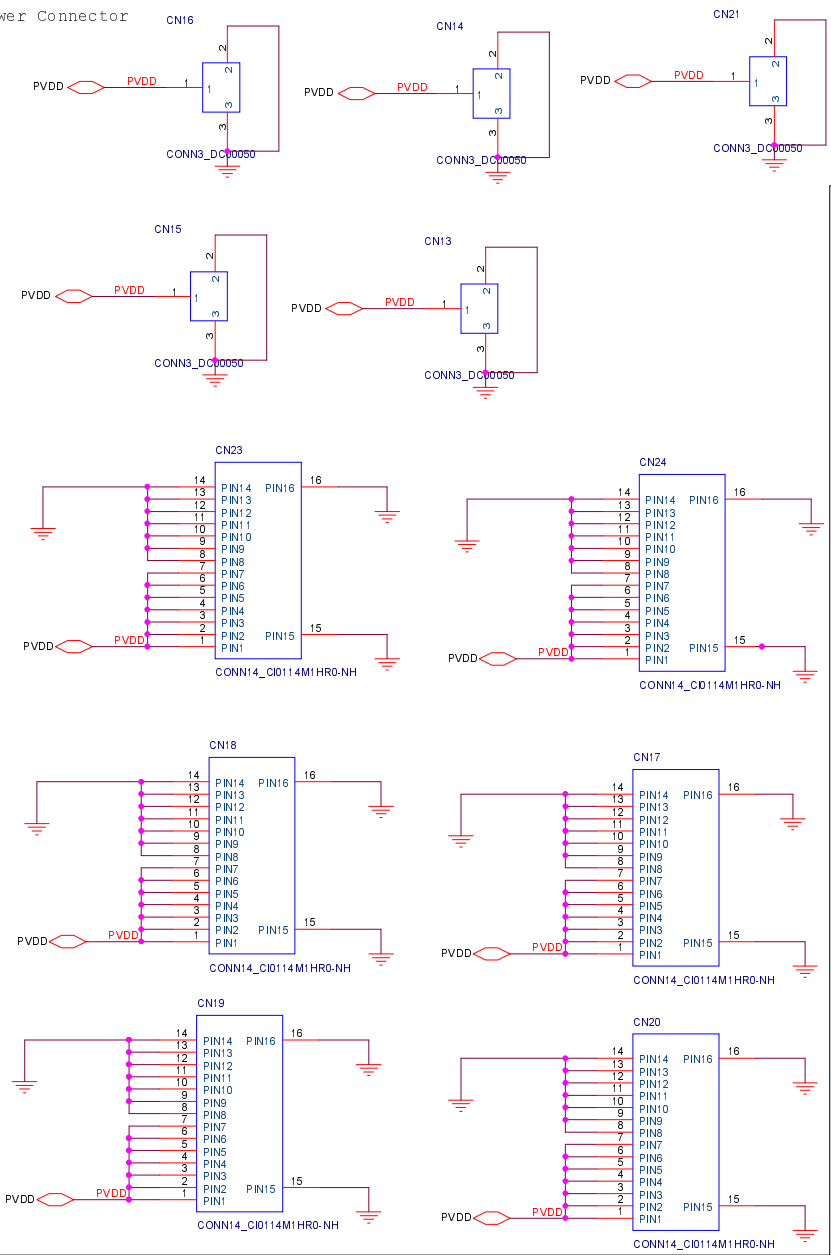


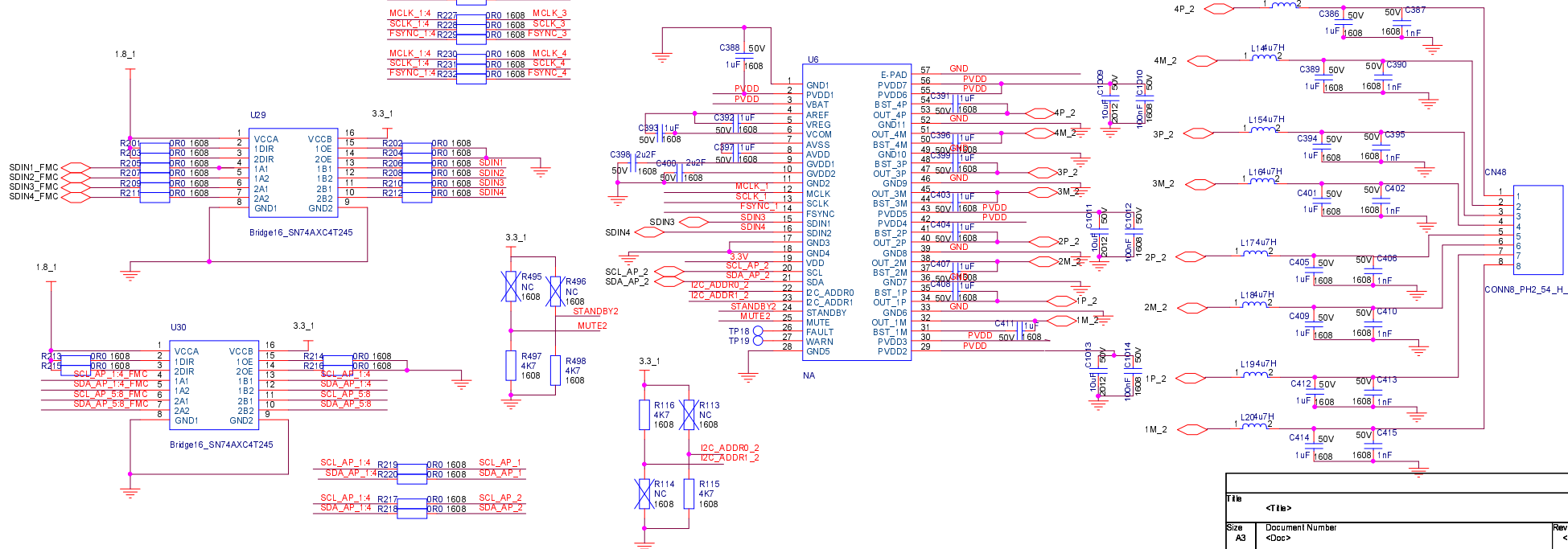
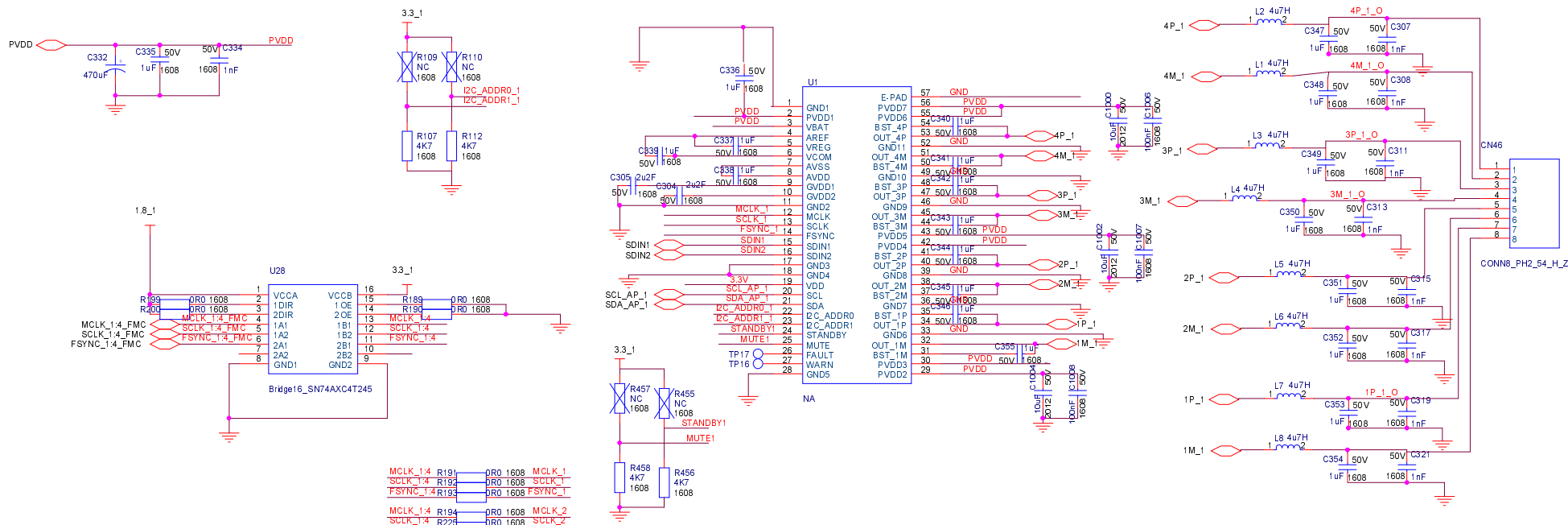
FPGA OUTPUT\_FMC



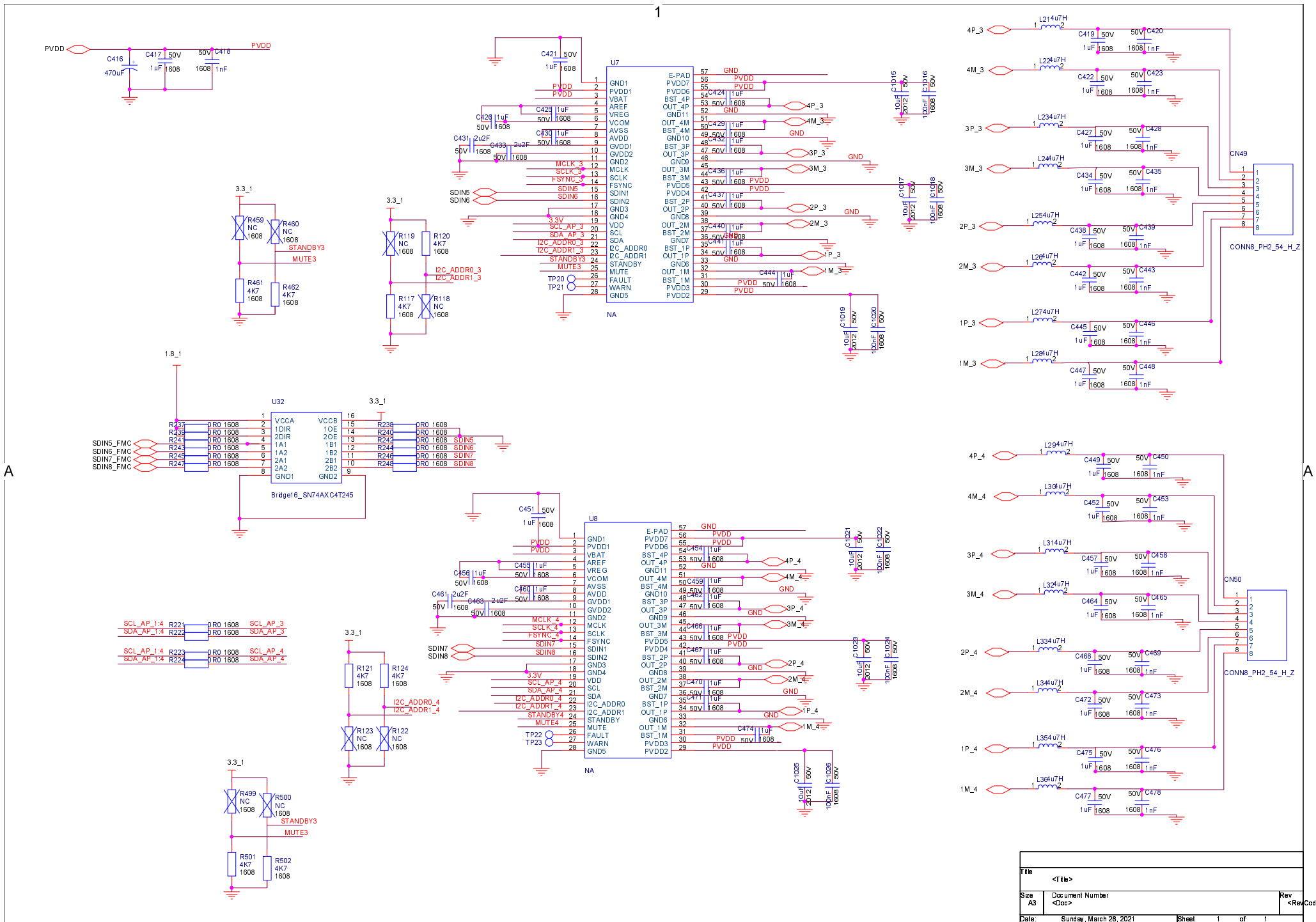
Power Connector



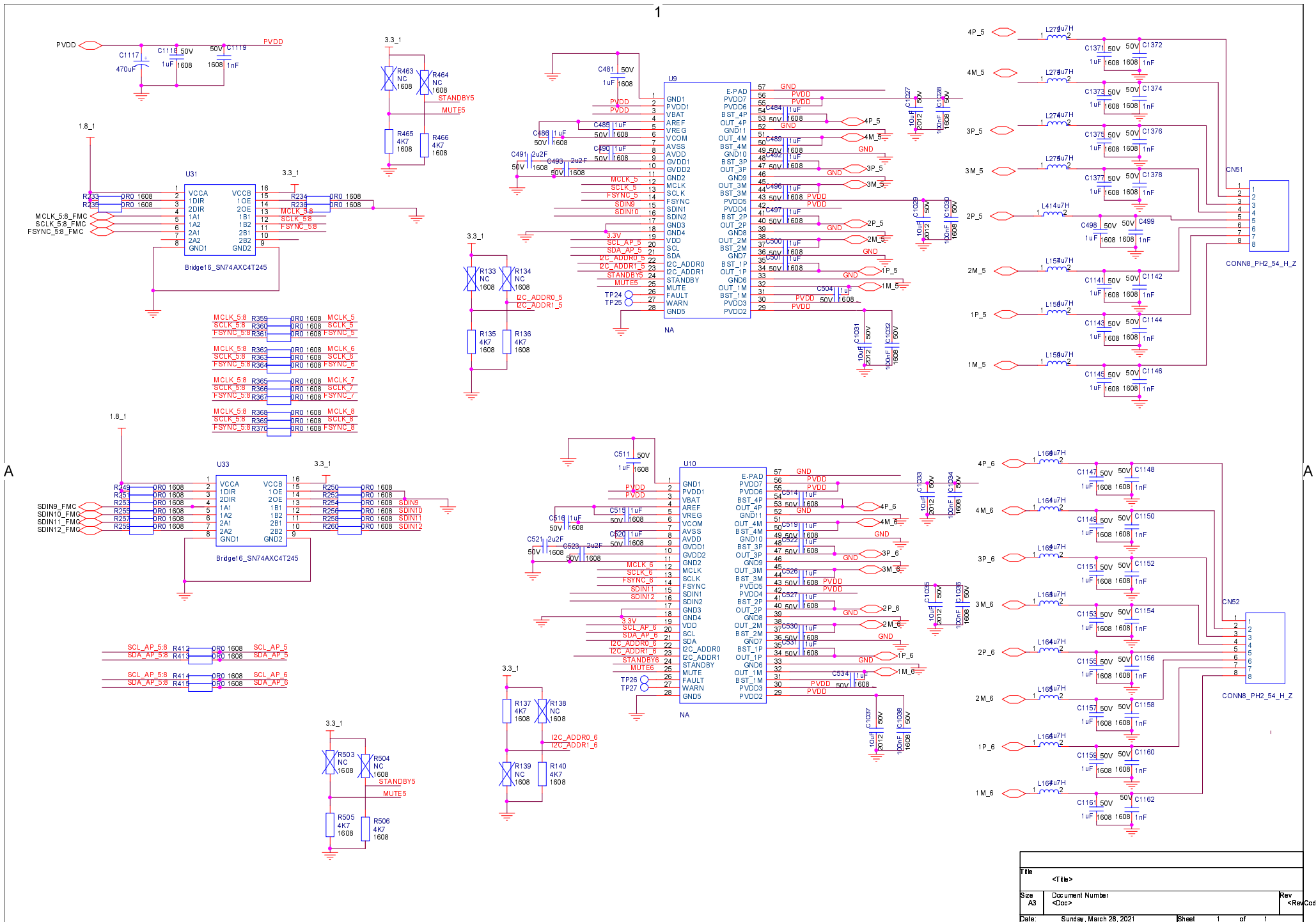
|       |                        |            |         |
|-------|------------------------|------------|---------|
| Title |                        |            | <Title> |
| Size  | Document Number        | Rev        |         |
| A3    | <Doc>                  | <Rev Code> |         |
| Date  | Sunday, March 28, 2021 | Sheet      | 1 of 1  |



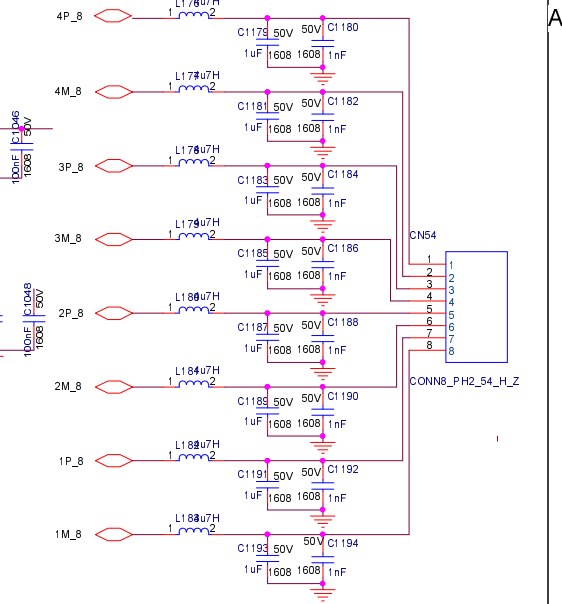
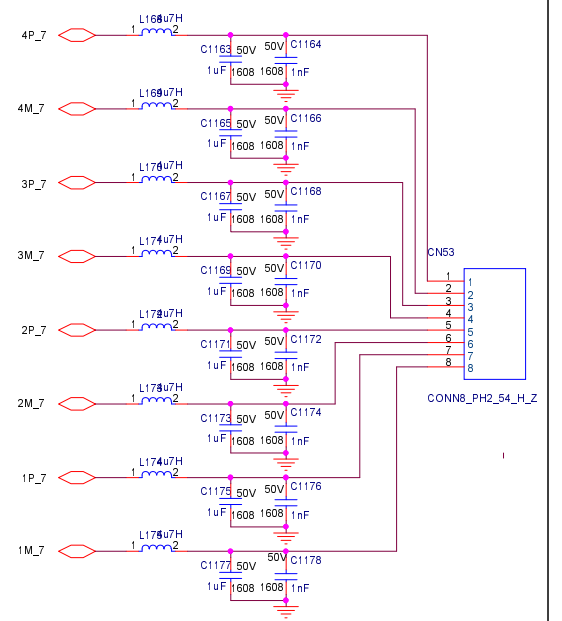
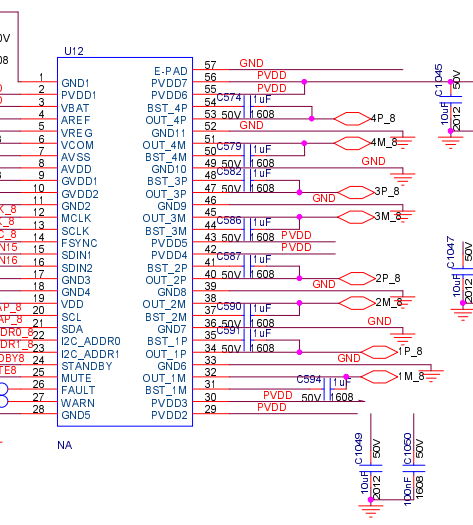
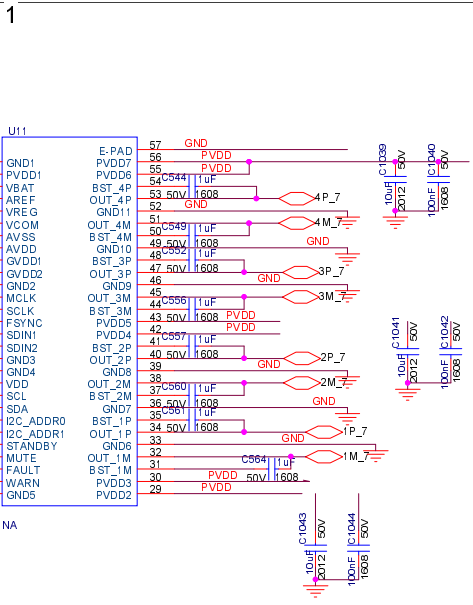
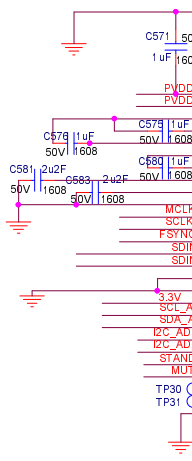
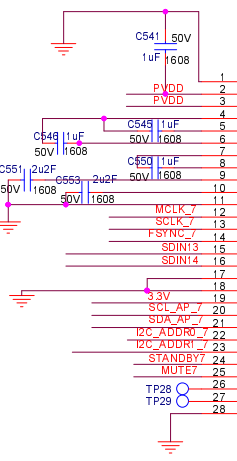
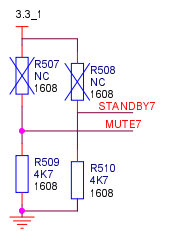
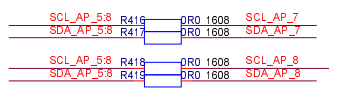
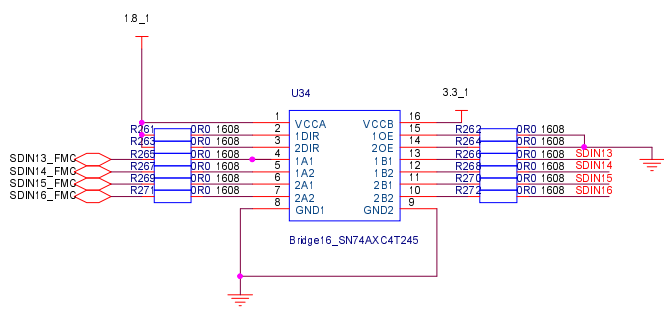
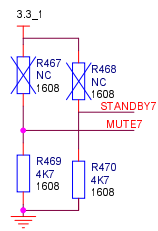
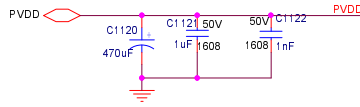
|        |                        |              |
|--------|------------------------|--------------|
| File   |                        |              |
| <File> |                        |              |
| Size   | Document Number        | Rev          |
| A3     | <Doc>                  | <Rev Code>   |
| Date   | Sunday, March 28, 2021 | Sheet 1 of 1 |



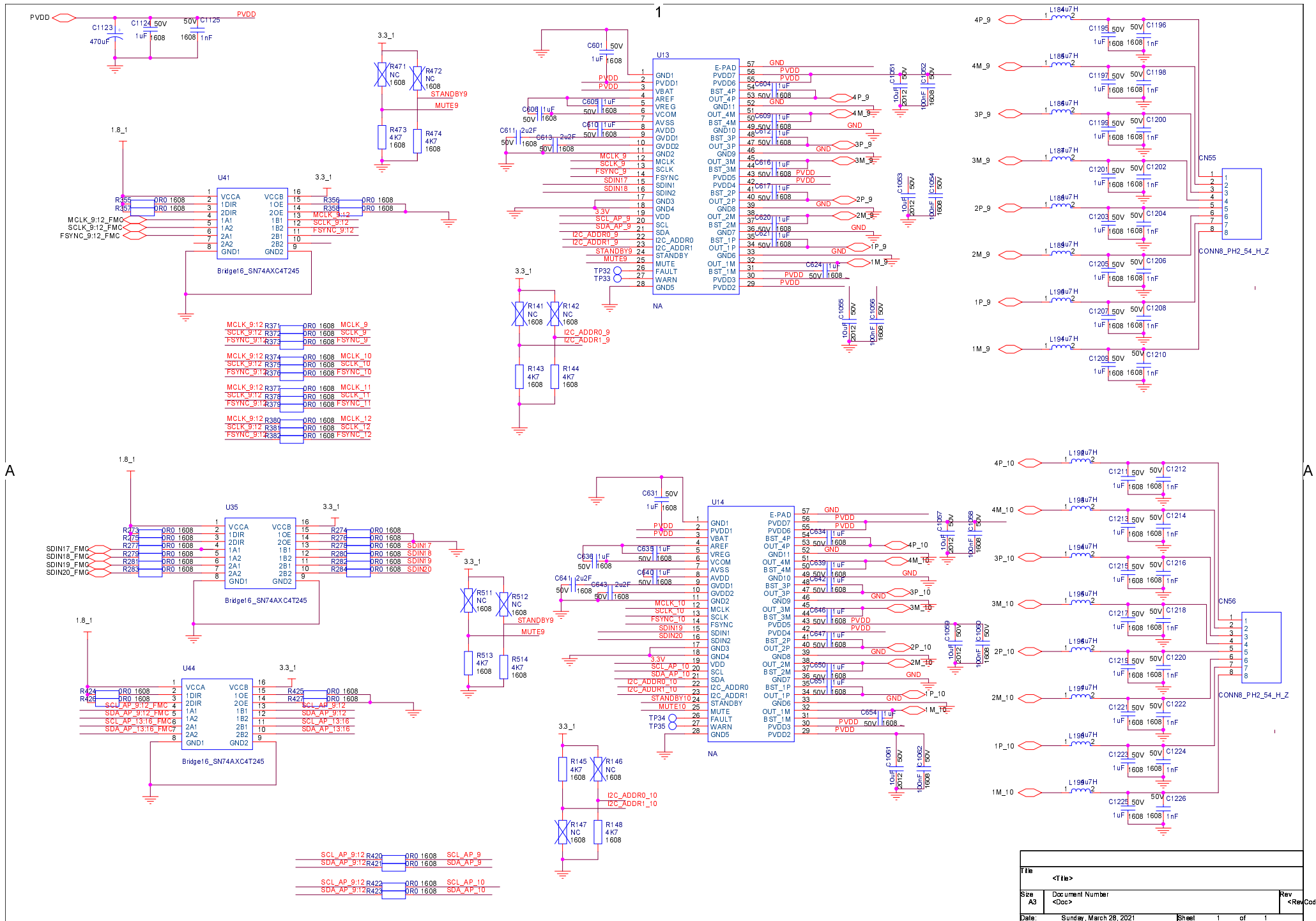
|         |                        |              |
|---------|------------------------|--------------|
| Title   |                        |              |
| <Title> |                        |              |
| Size    | Document Number        | Rev          |
| A3      | <Doc>                  | <Rev Code>   |
| Date:   | Sunday, March 28, 2021 | Sheet 1 of 1 |



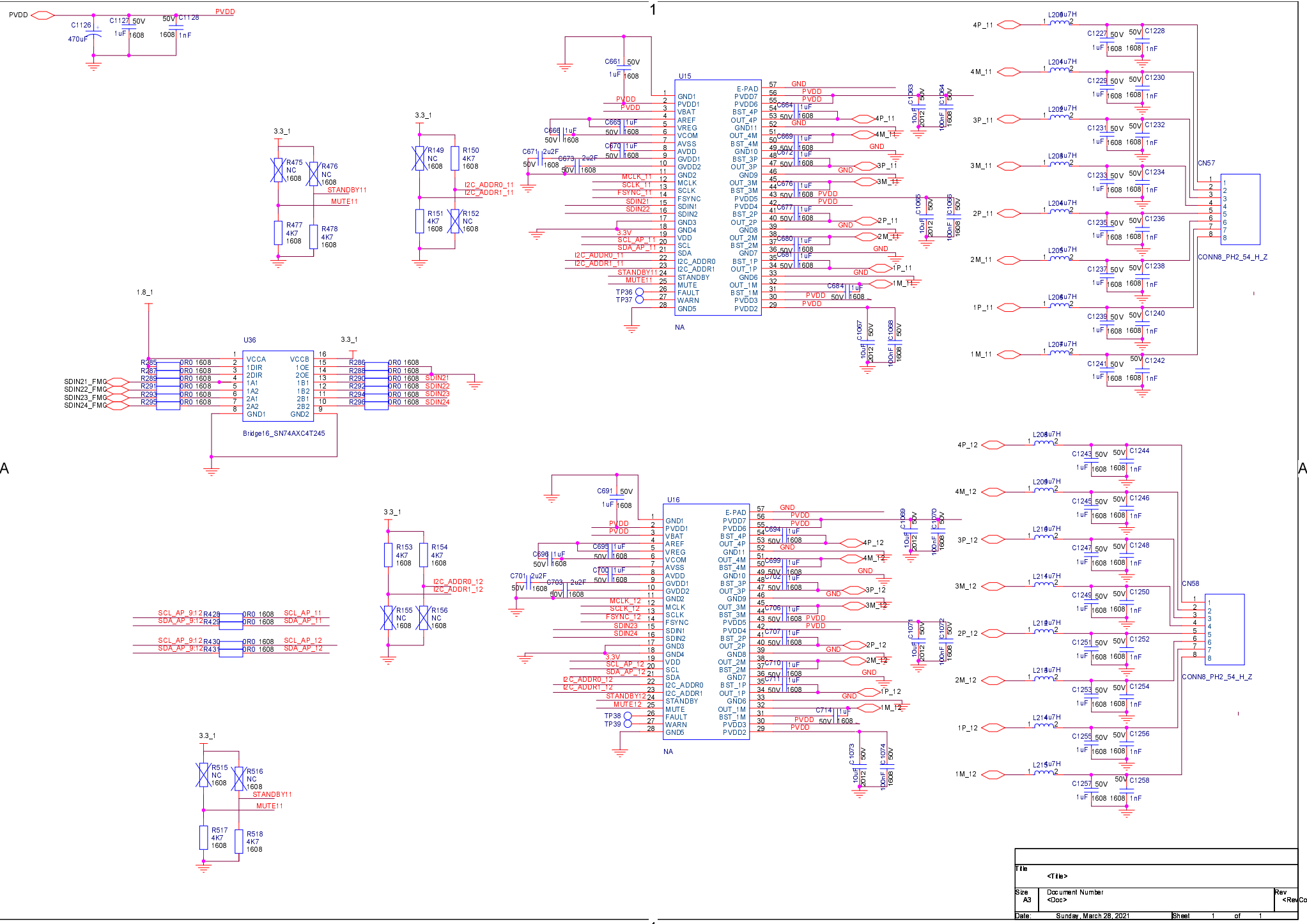
|                              |                       |                |
|------------------------------|-----------------------|----------------|
| Title <Title>                |                       |                |
| Size A3                      | Document Number <Doc> | Rev <Rev Code> |
| Date: Sunday, March 28, 2021 | Sheet 1 of 1          |                |



|                              |                       |                |
|------------------------------|-----------------------|----------------|
| Title <Title>                |                       |                |
| Size A3                      | Document Number <Doc> | Rev <Rev Code> |
| Date: Sunday, March 28, 2021 | Sheet 1 of 1          |                |

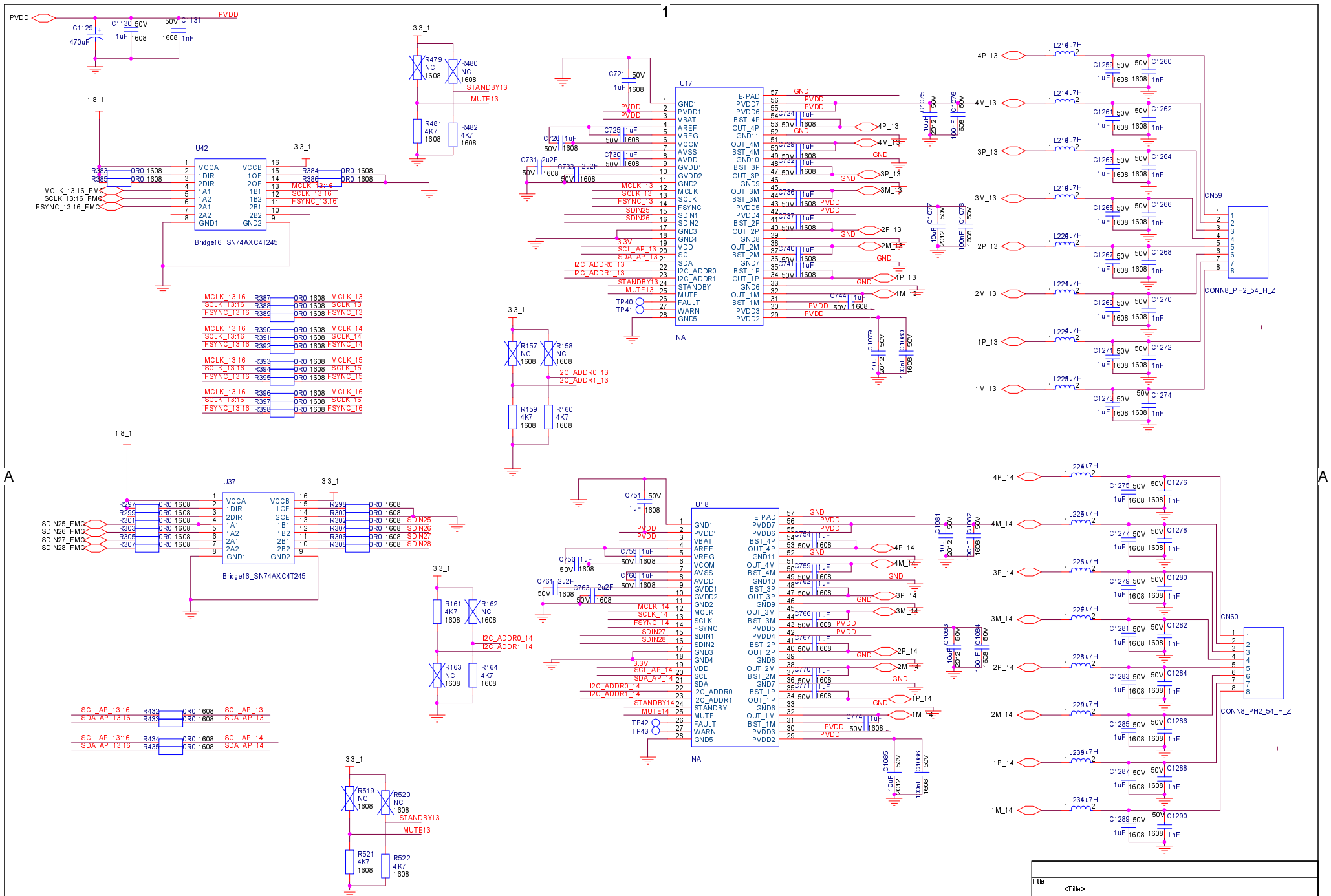


|       |                        |              |
|-------|------------------------|--------------|
| File  | <File>                 |              |
| Size  | Document Number        | Rev          |
| A3    | <Doc>                  | <RevCode>    |
| Date: | Sunday, March 28, 2021 | Sheet 1 of 1 |

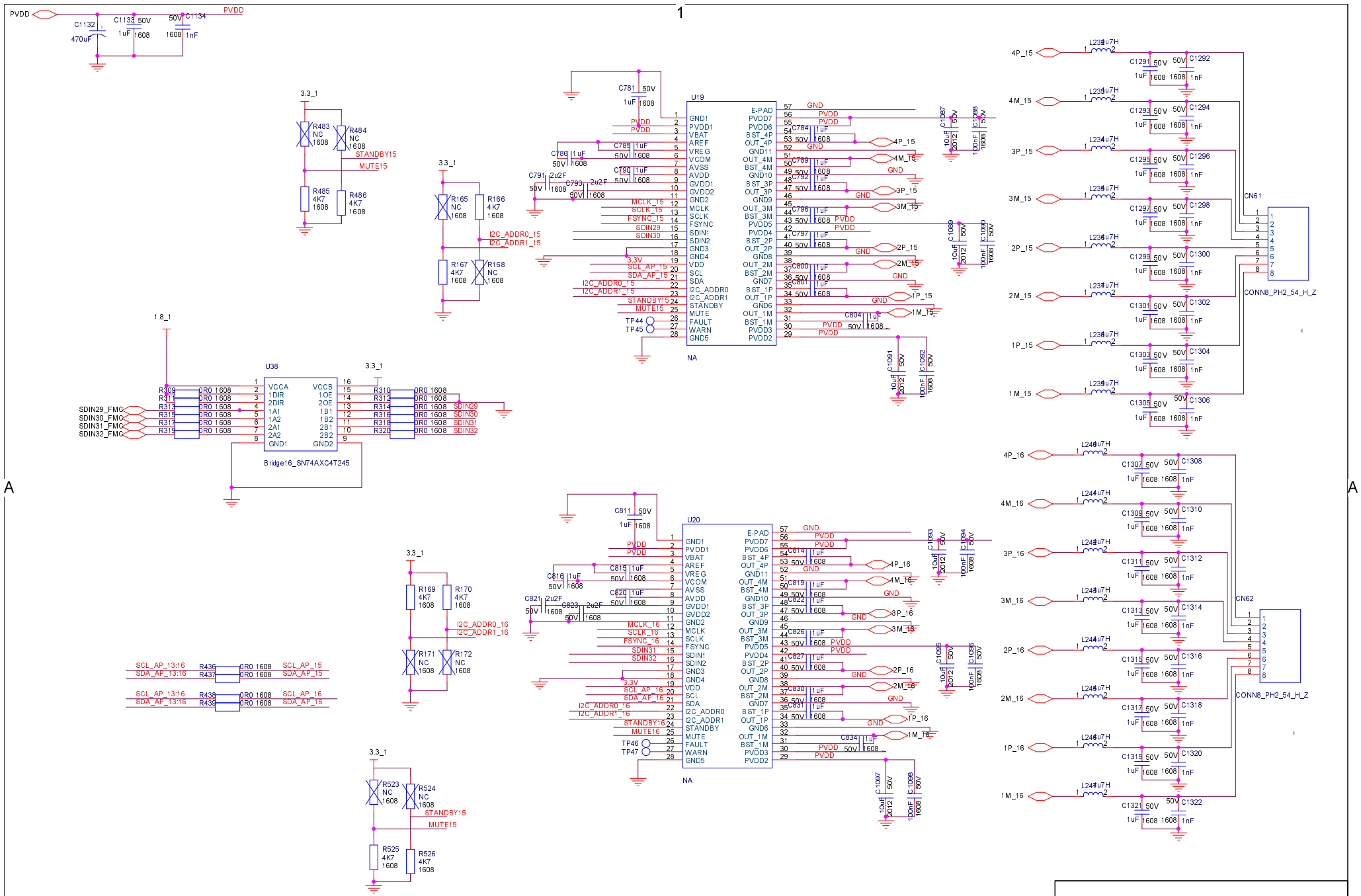


|       |                        |              |
|-------|------------------------|--------------|
| File  | <Title>                |              |
| Size  | Document Number        | Rev          |
| A3    | <Doc>                  | <RevCode>    |
| Date: | Sunday, March 28, 2021 | Sheet 1 of 1 |

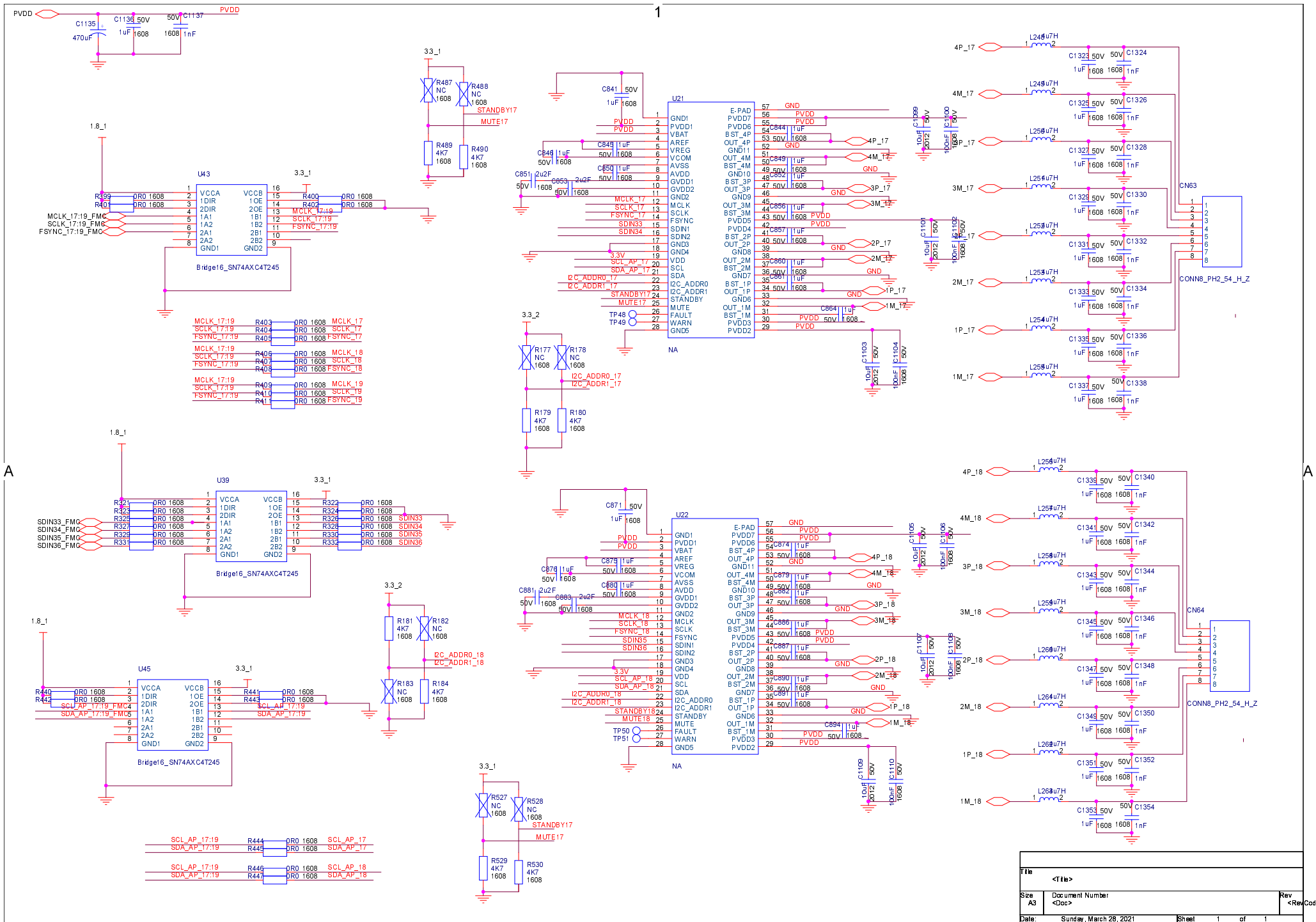




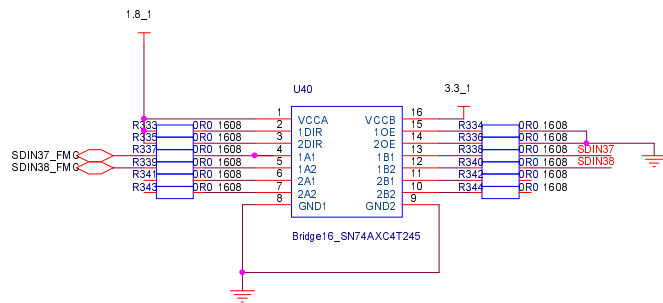
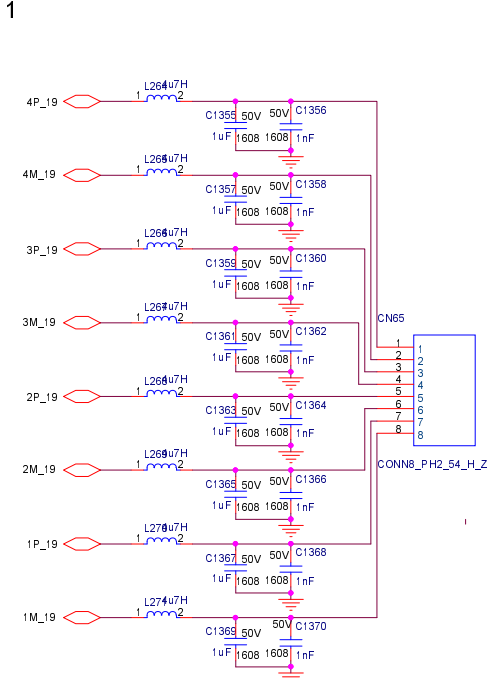
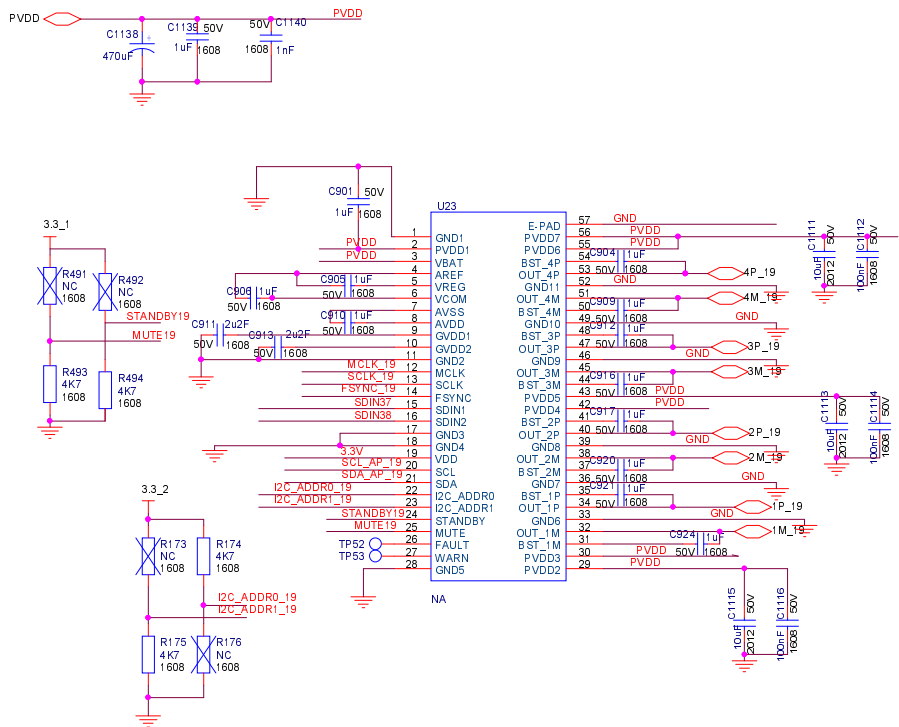
|                              |                       |               |
|------------------------------|-----------------------|---------------|
| Title <Title>                |                       |               |
| Size A3                      | Document Number <Doc> | Rev <RevCode> |
| Date: Sunday, March 28, 2021 | Sheet 1 of 1          |               |



|         |                        |              |
|---------|------------------------|--------------|
| Title   |                        |              |
| <Title> |                        |              |
| Size    | Document Number        | Rev          |
| A3      | <Doc>                  | <Rev Code>   |
| Date:   | Sunday, March 28, 2021 | Sheet 1 of 1 |



|                 |                        |
|-----------------|------------------------|
| Title           | <Title>                |
| Size            | A3                     |
| Document Number | <Doc>                  |
| Date:           | Sunday, March 28, 2021 |
| Sheet           | 1 of 1                 |
| Rev             | <RevCode>              |



SCL\_AP\_17:19 R449 DR0 1608 SCL\_AP\_19  
 SDA\_AP\_17:19 R448 DR0 1608 SDA\_AP\_19

|                              |                       |                |
|------------------------------|-----------------------|----------------|
| Title <Title>                |                       |                |
| Size A3                      | Document Number <Doc> | Rev <Rev Code> |
| Date: Sunday, March 28, 2021 | Sheet 1 of 1          |                |

