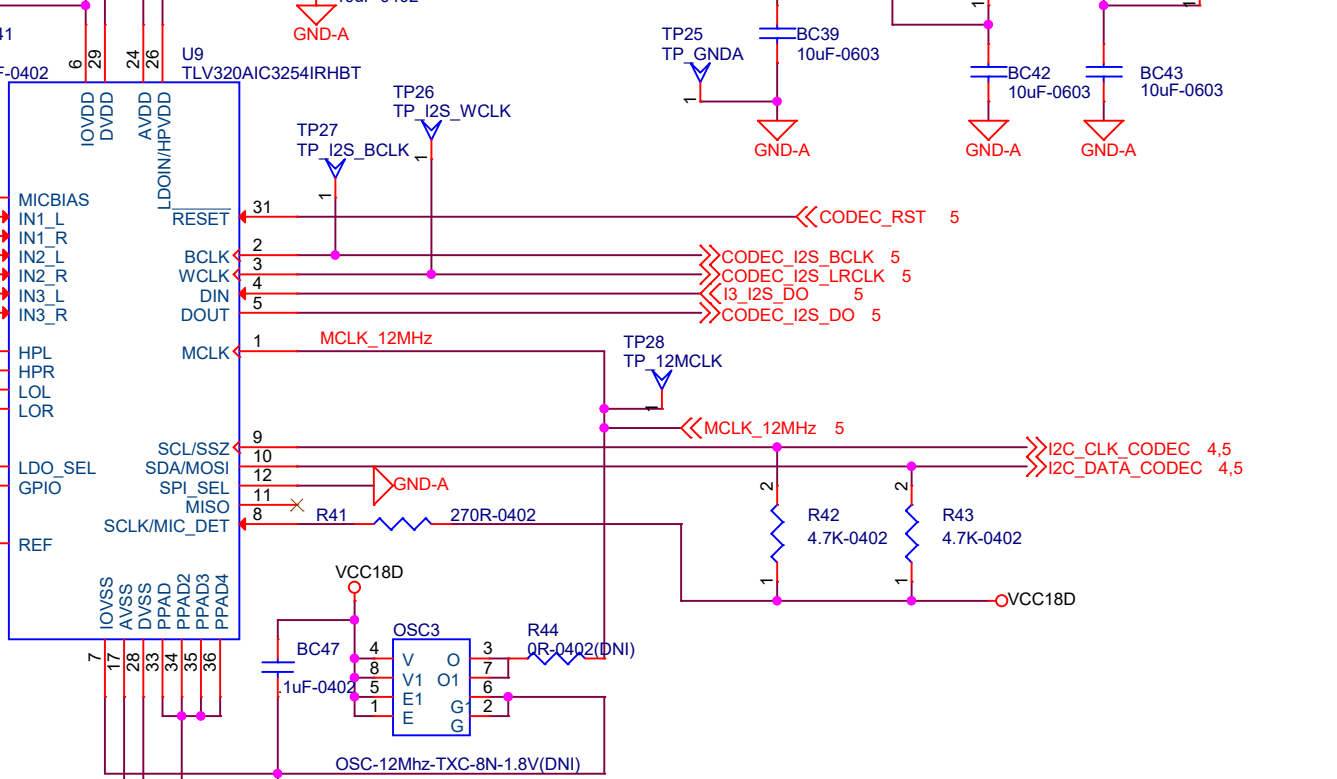
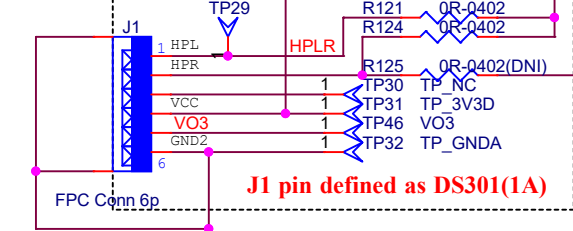
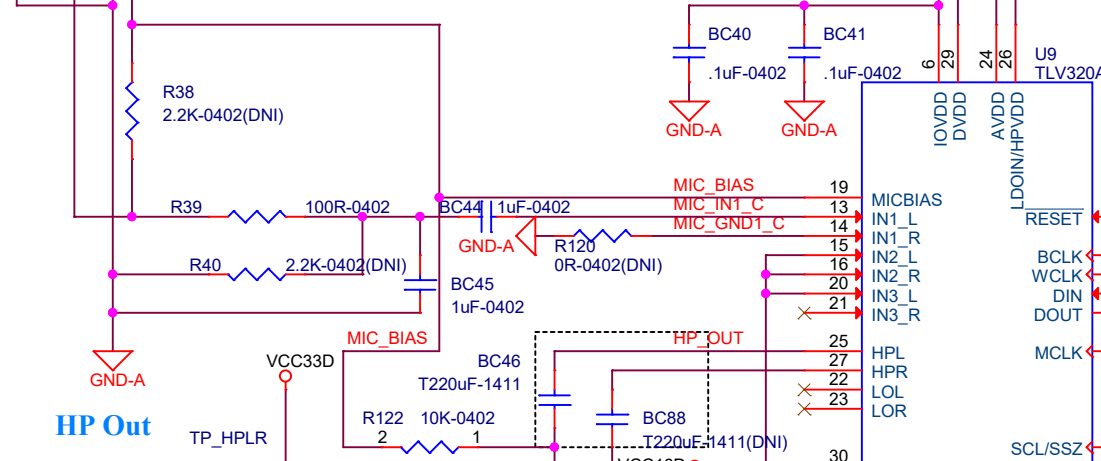
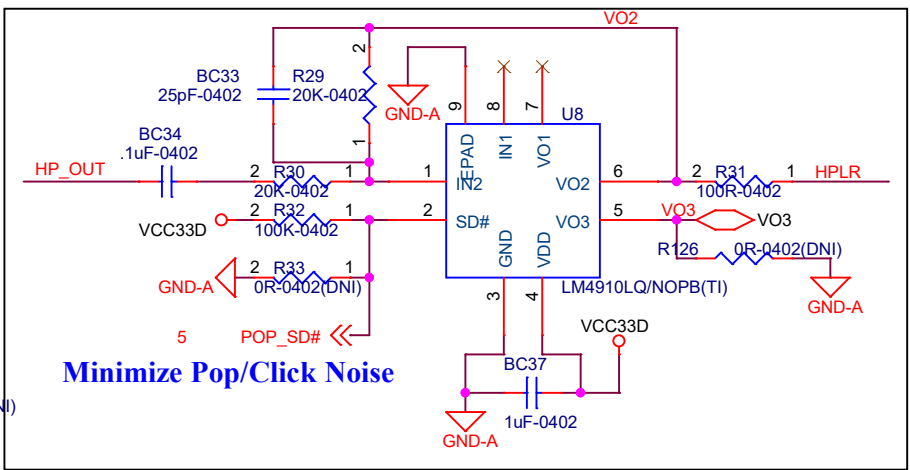
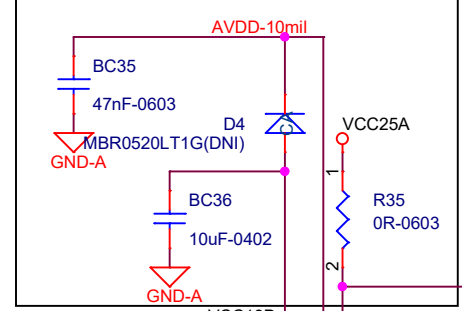
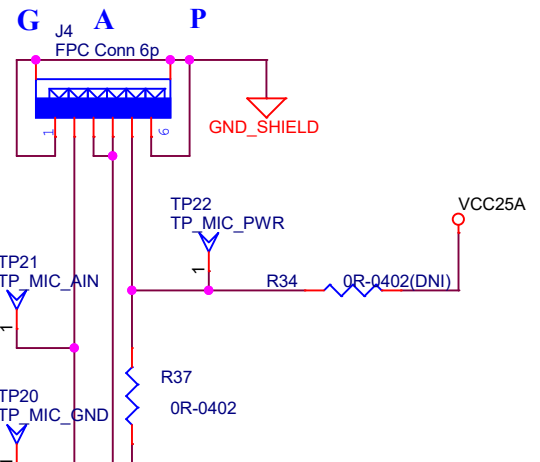


MEMS/ECM MIC Input



Bottom Contact

{Layout Guide: All MIC/HP tracks away from digital signals}

Title		
Audio Codec		
Size	Document Number	Rev
A4	DS101-FORMAL-MAIN	A2
Date:	Wednesday, July 25, 2018	Sheet 6 of 12