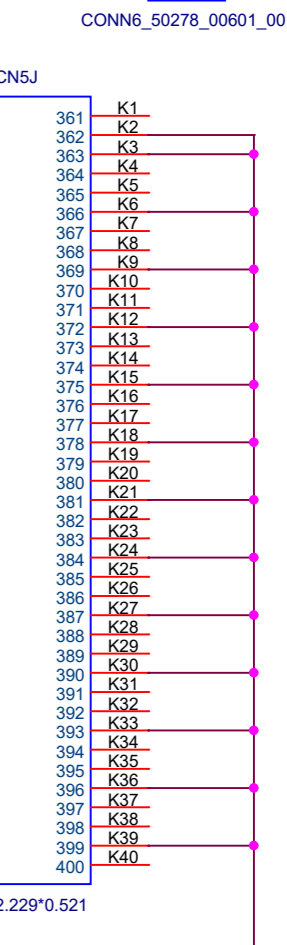
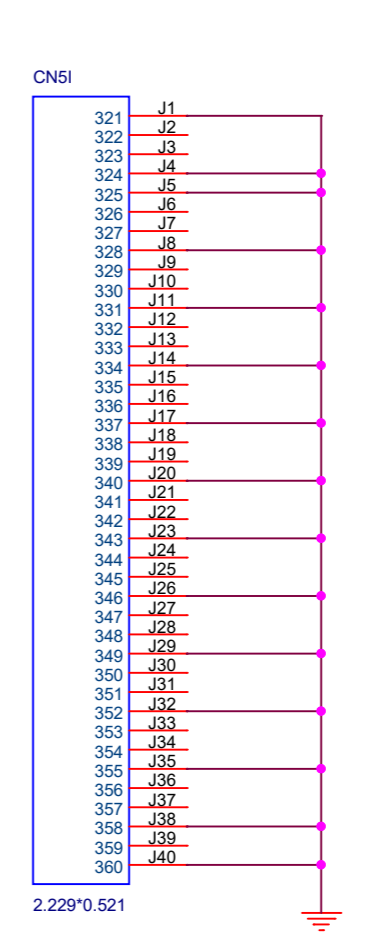
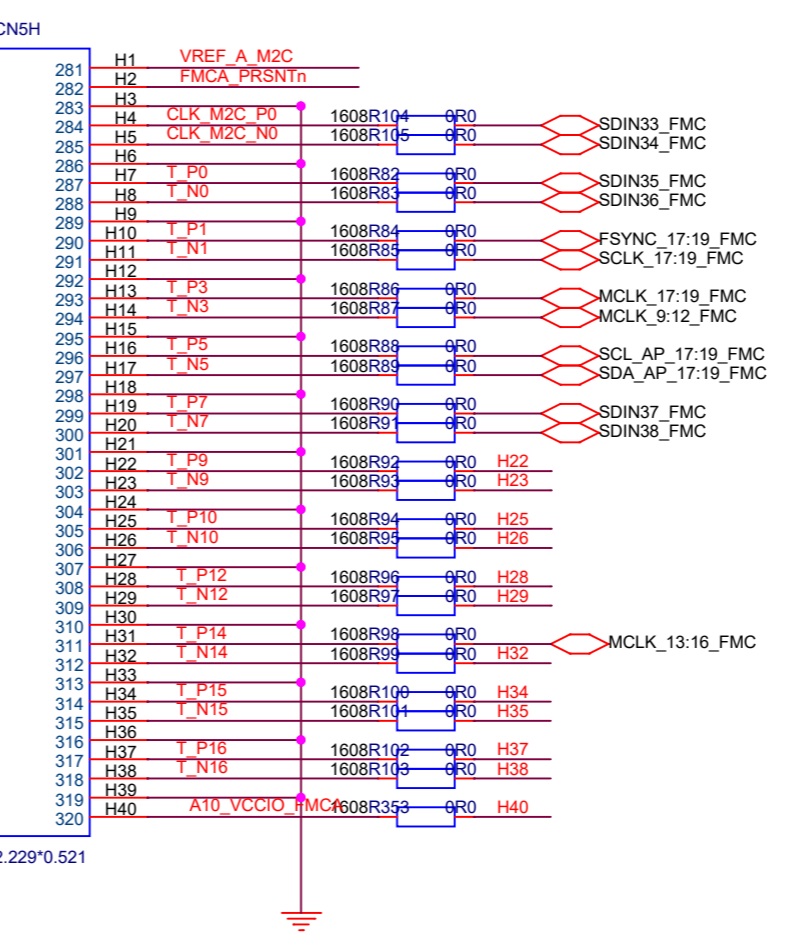
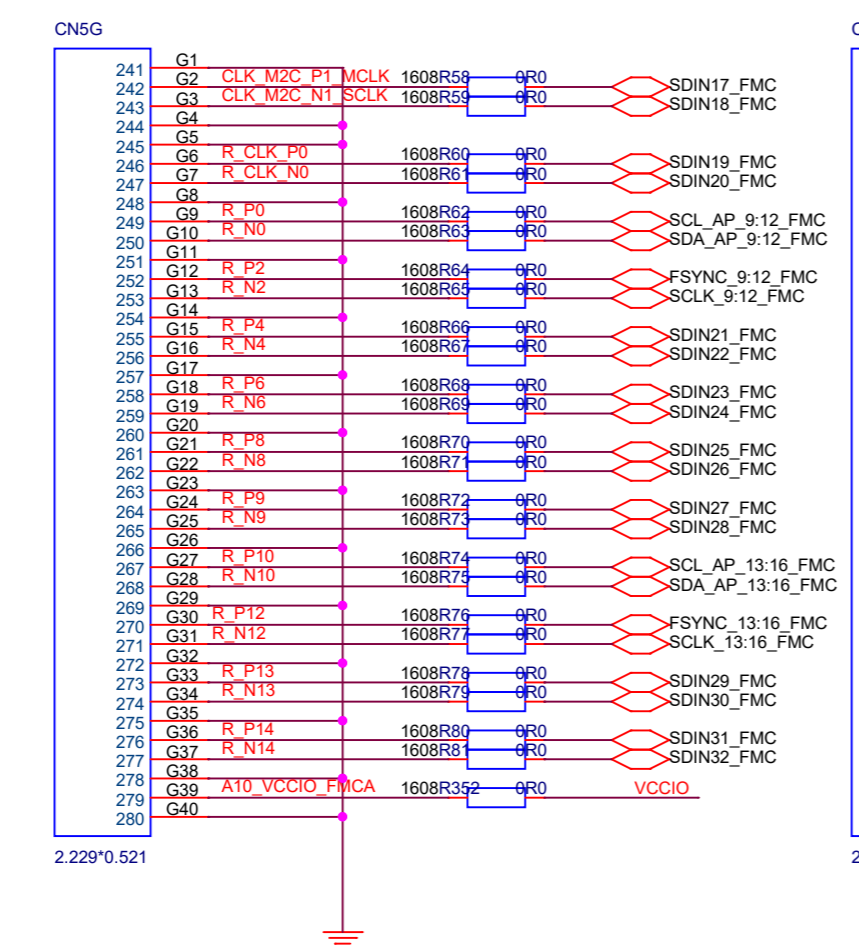
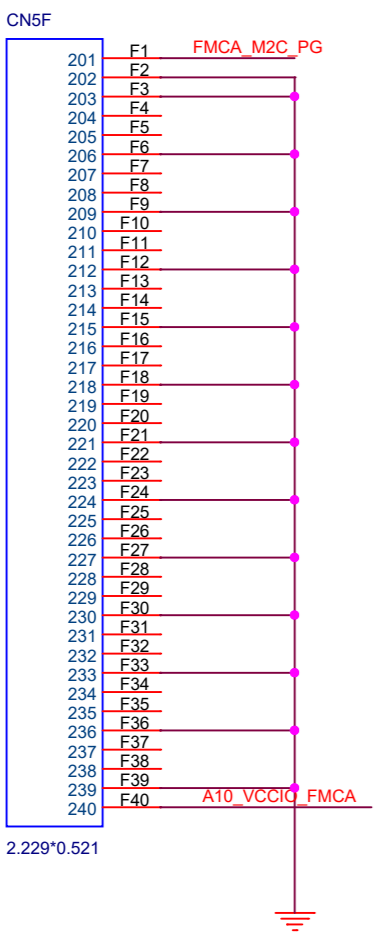
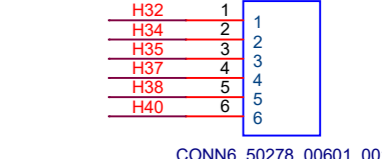
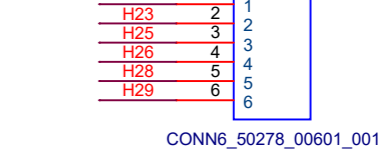
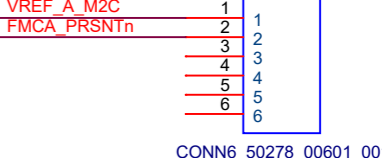
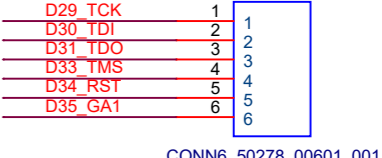
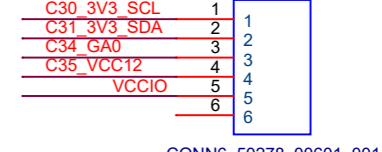
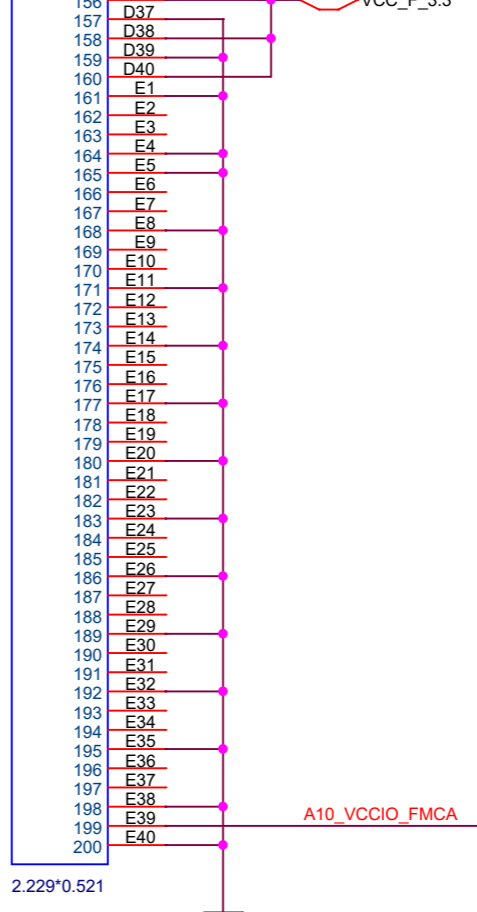
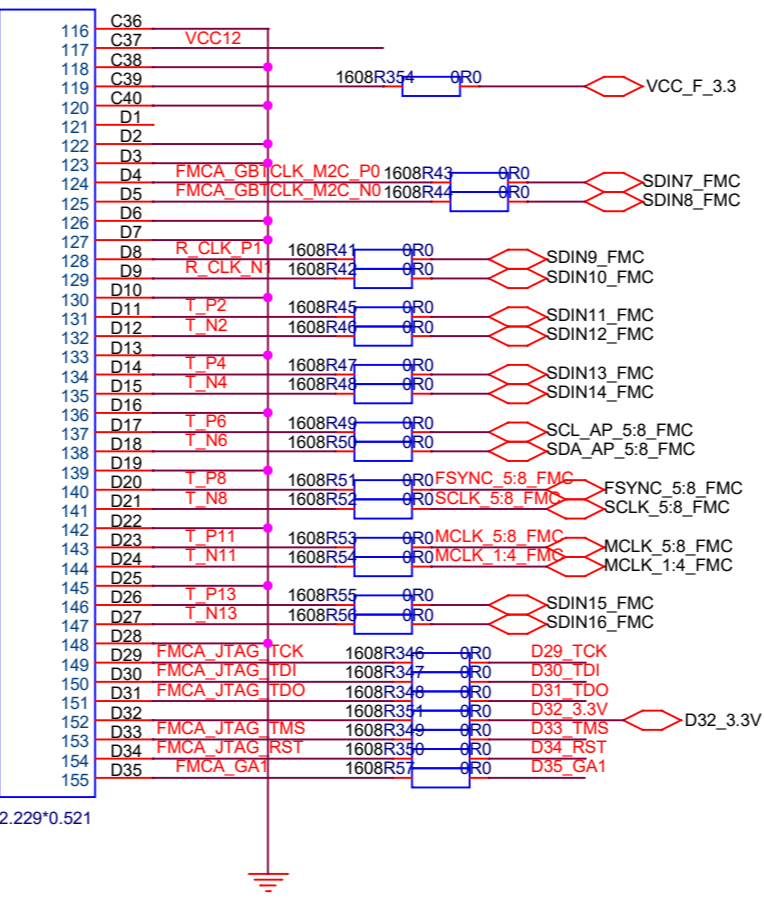
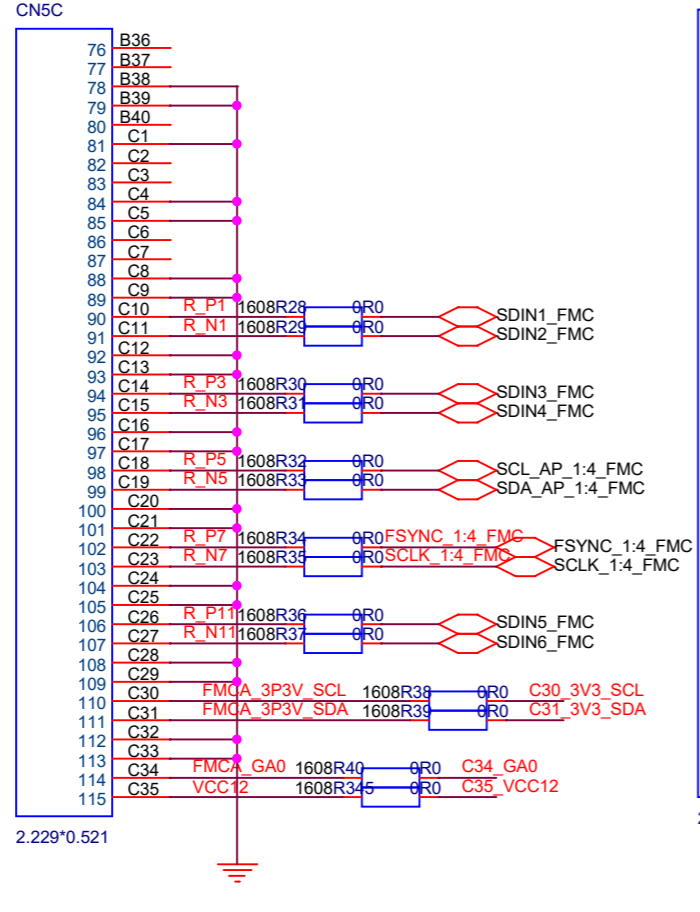
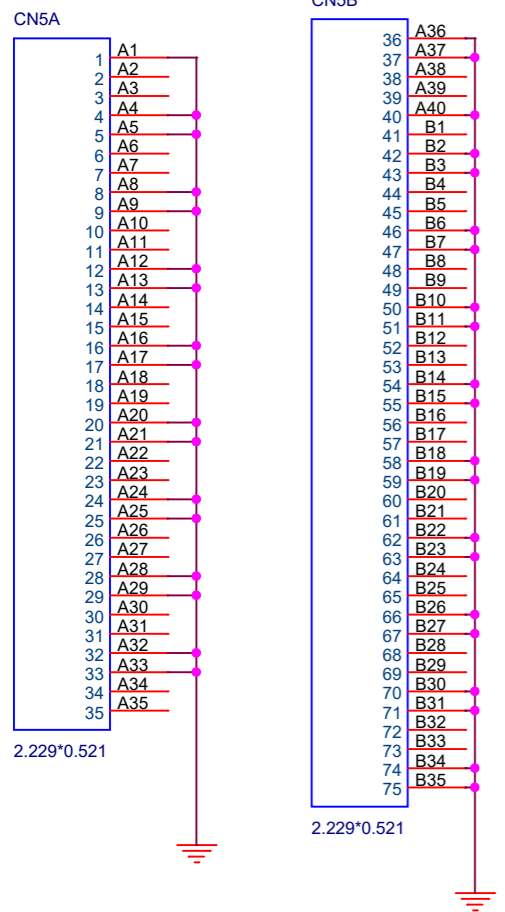
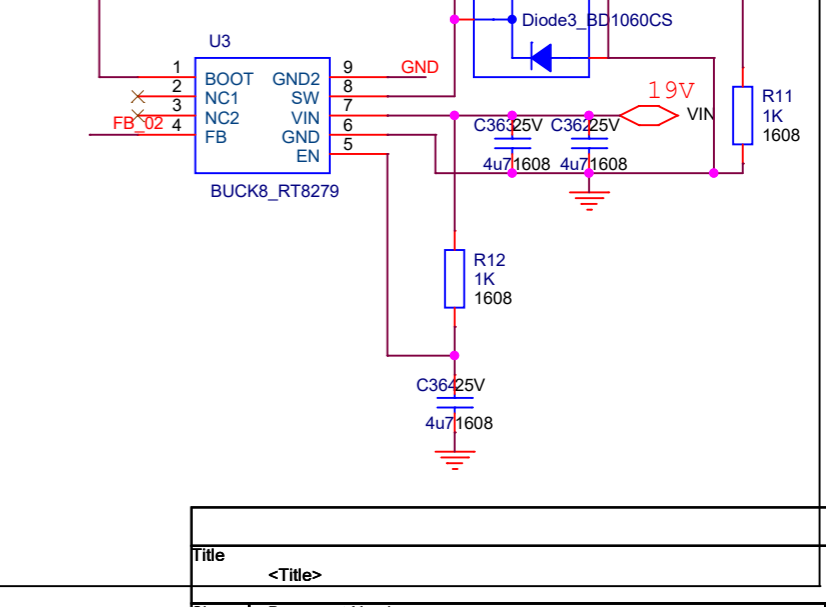
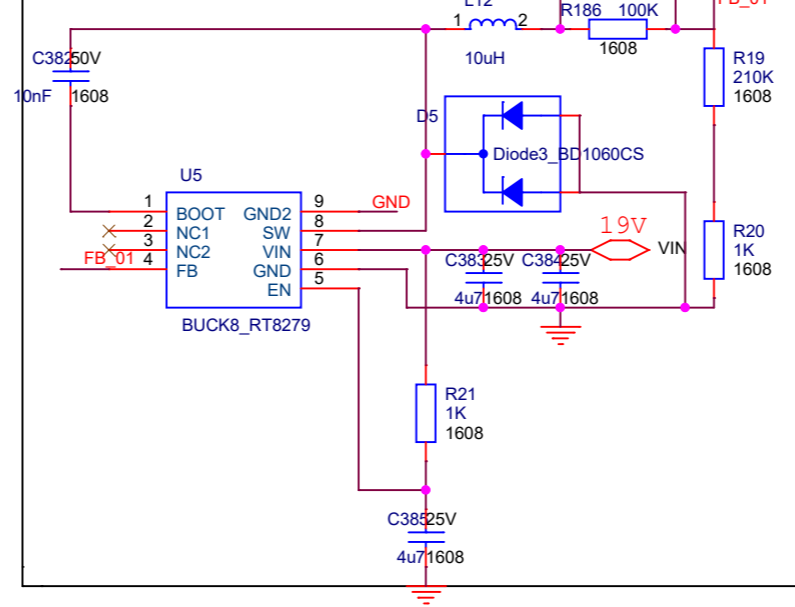
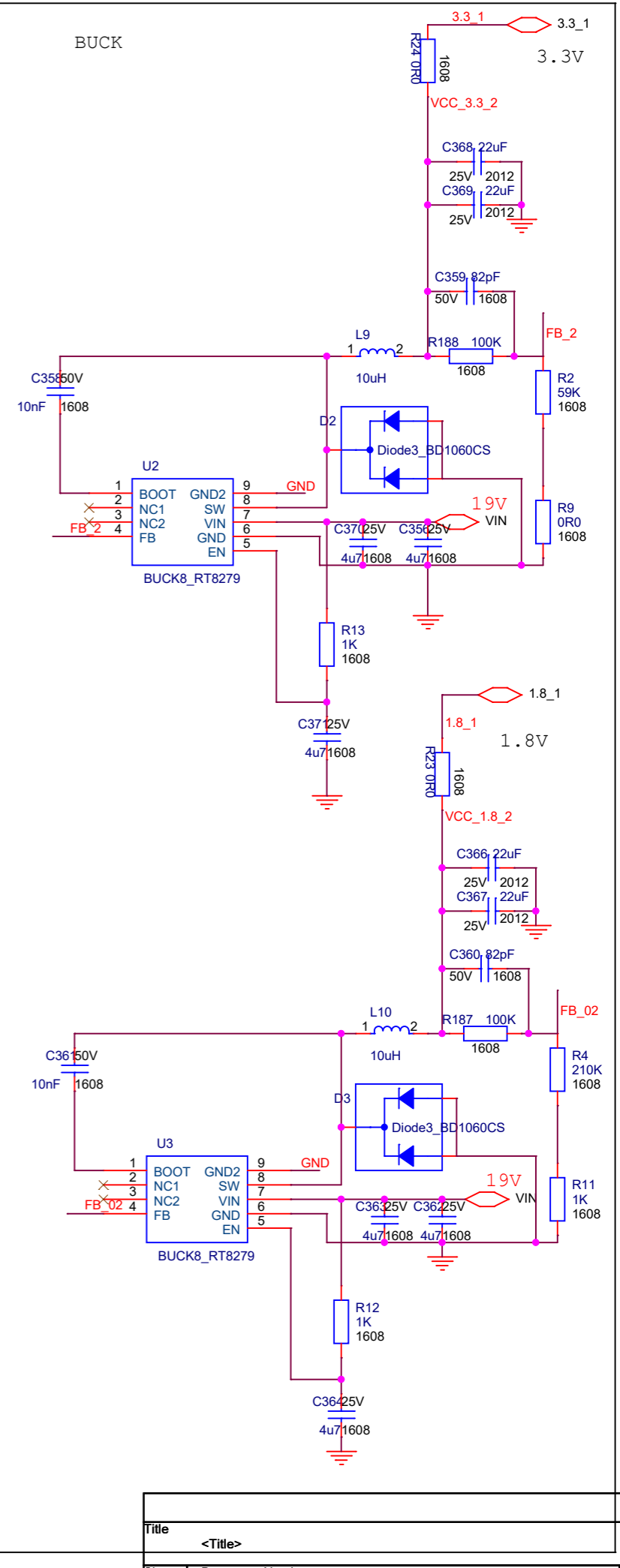
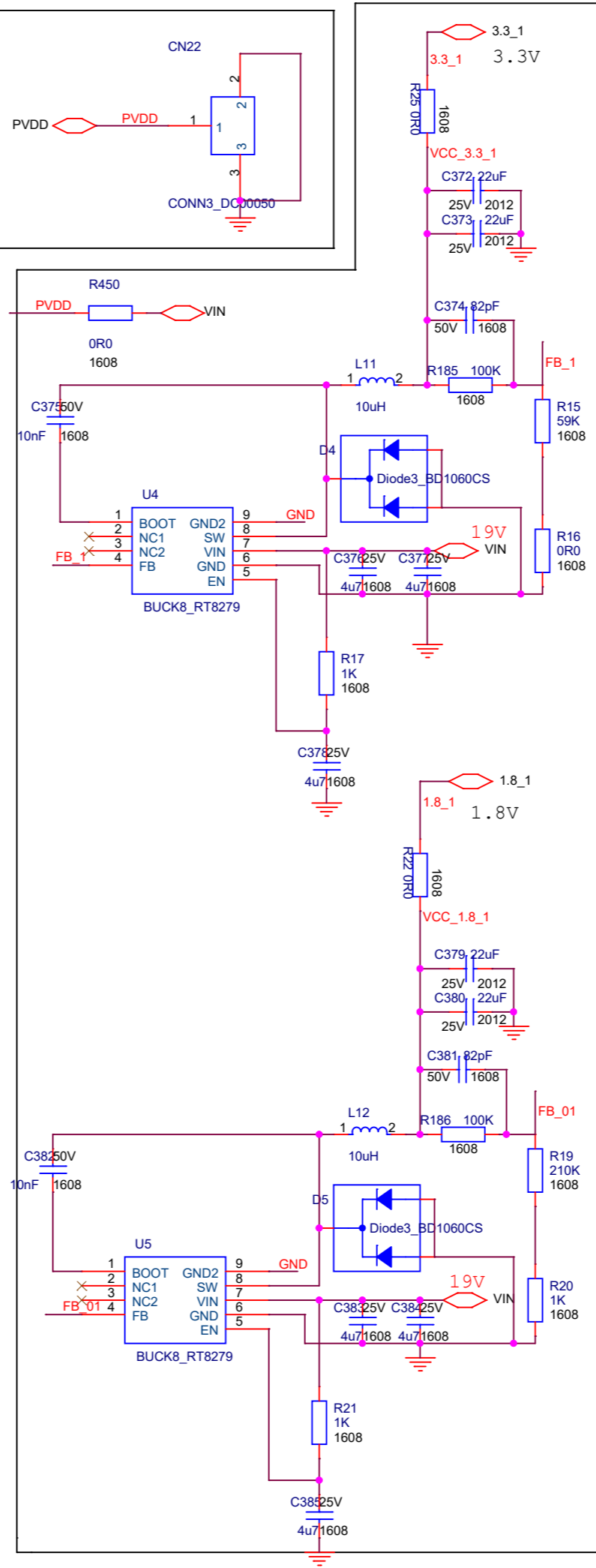
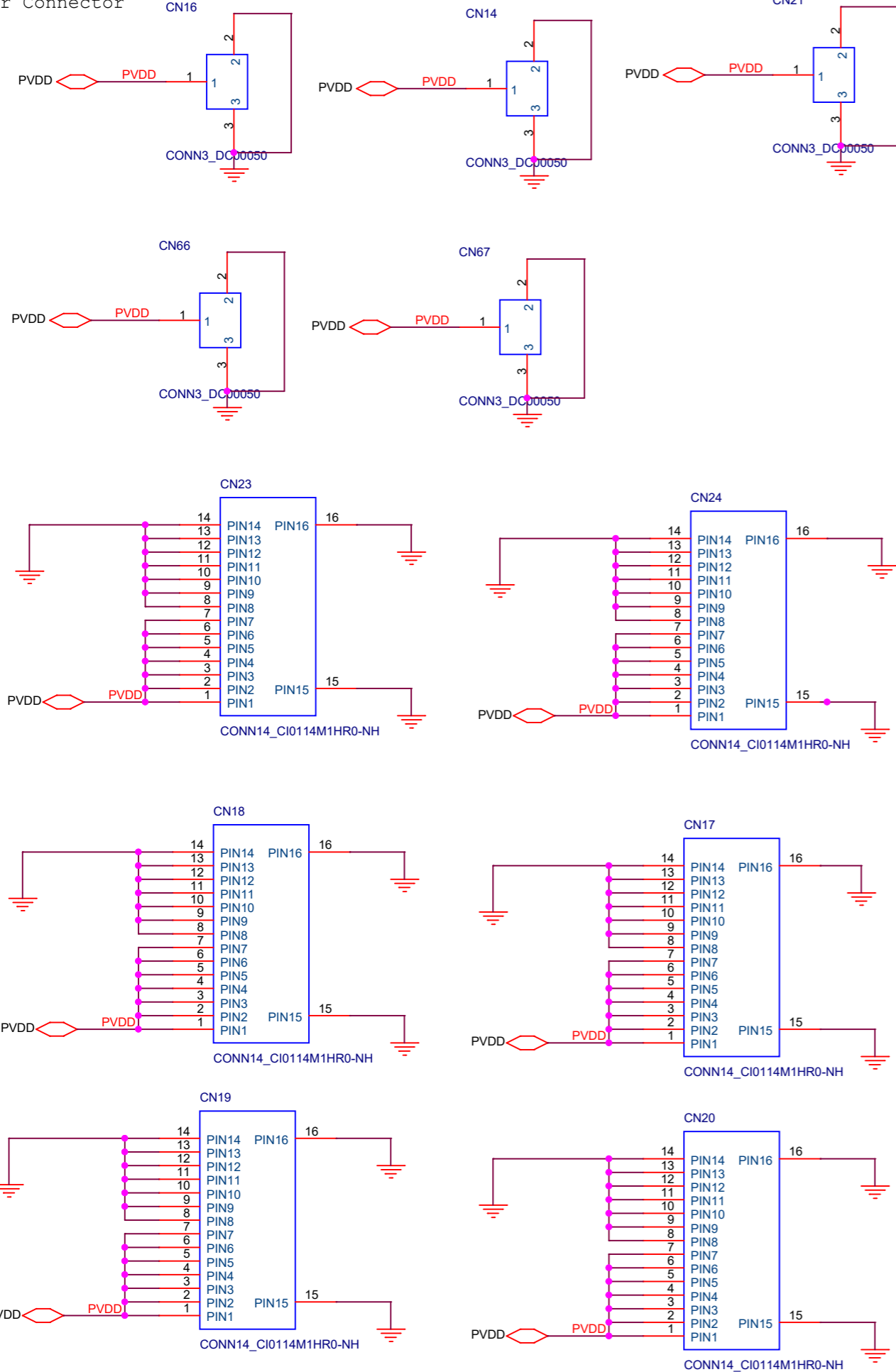


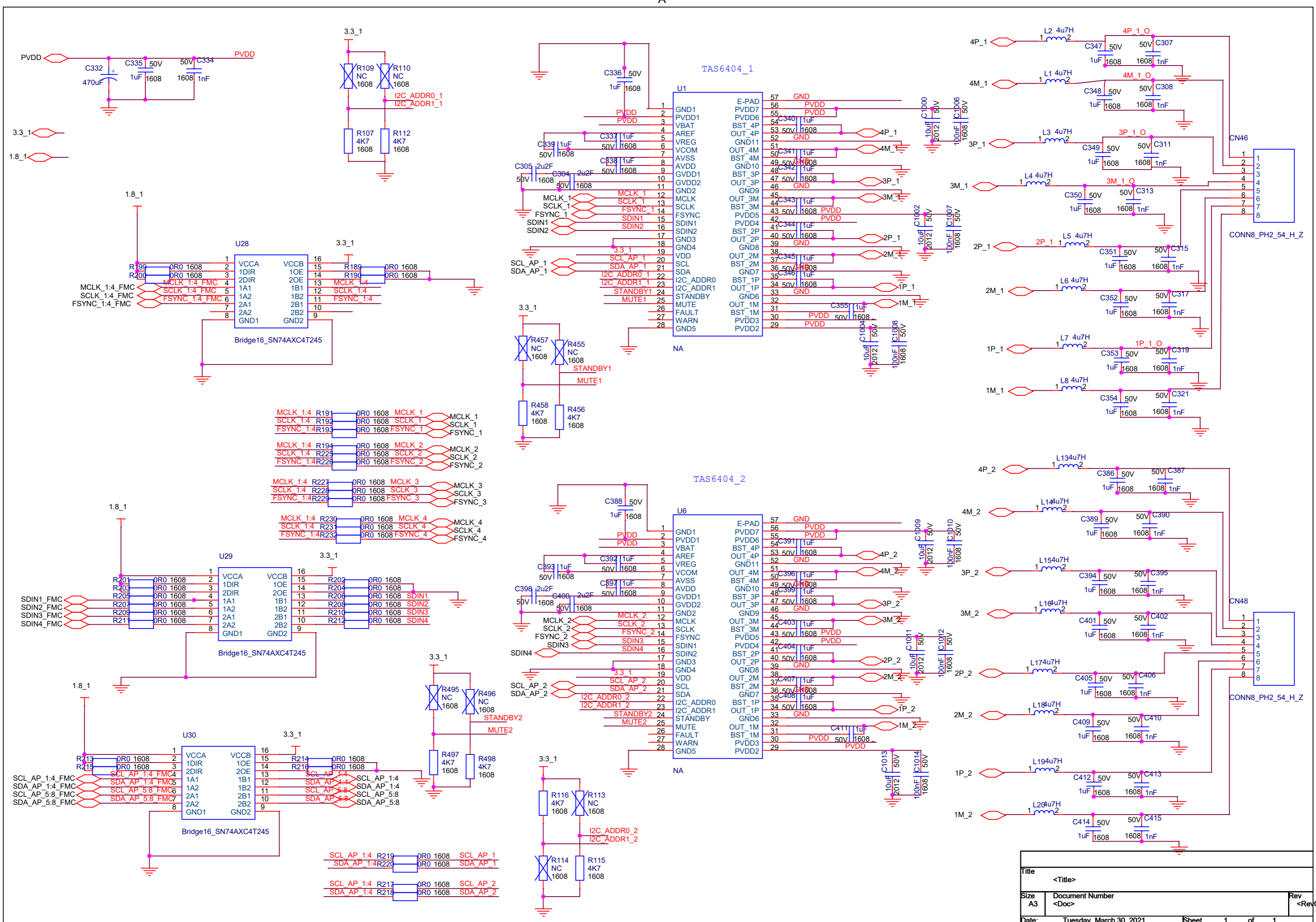
FPGA OUTPUT_FMC



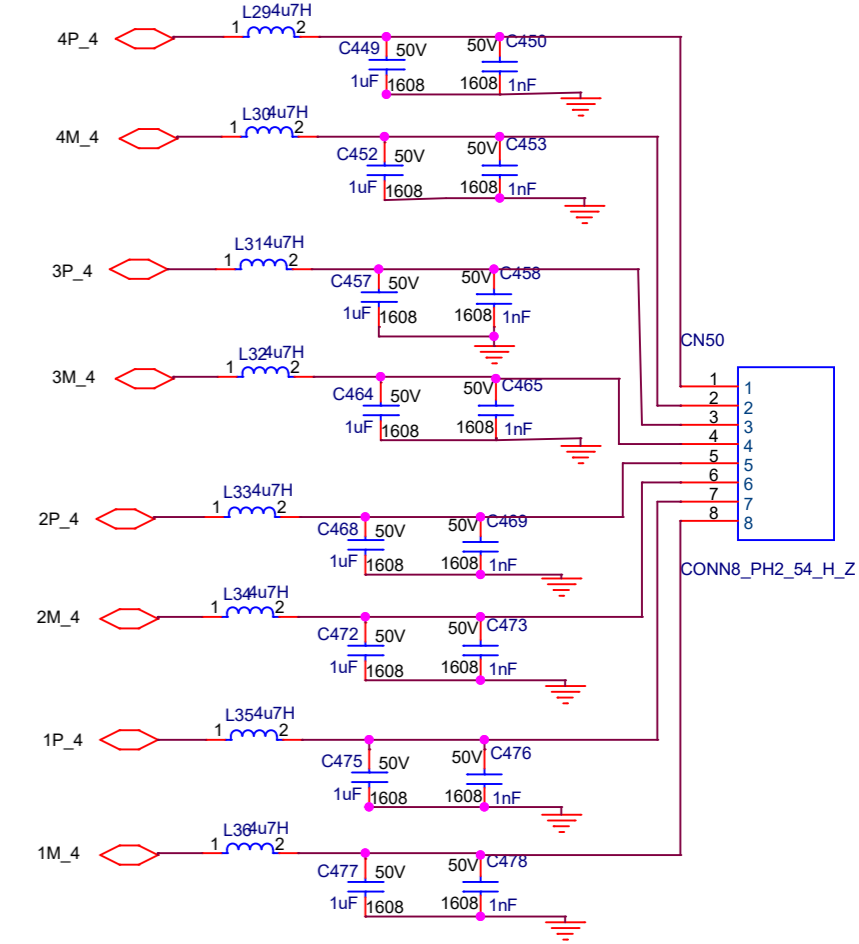
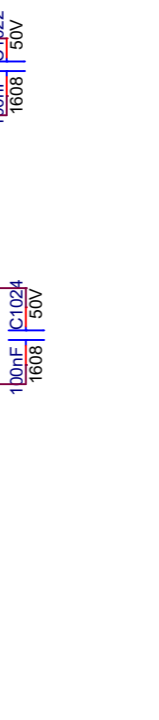
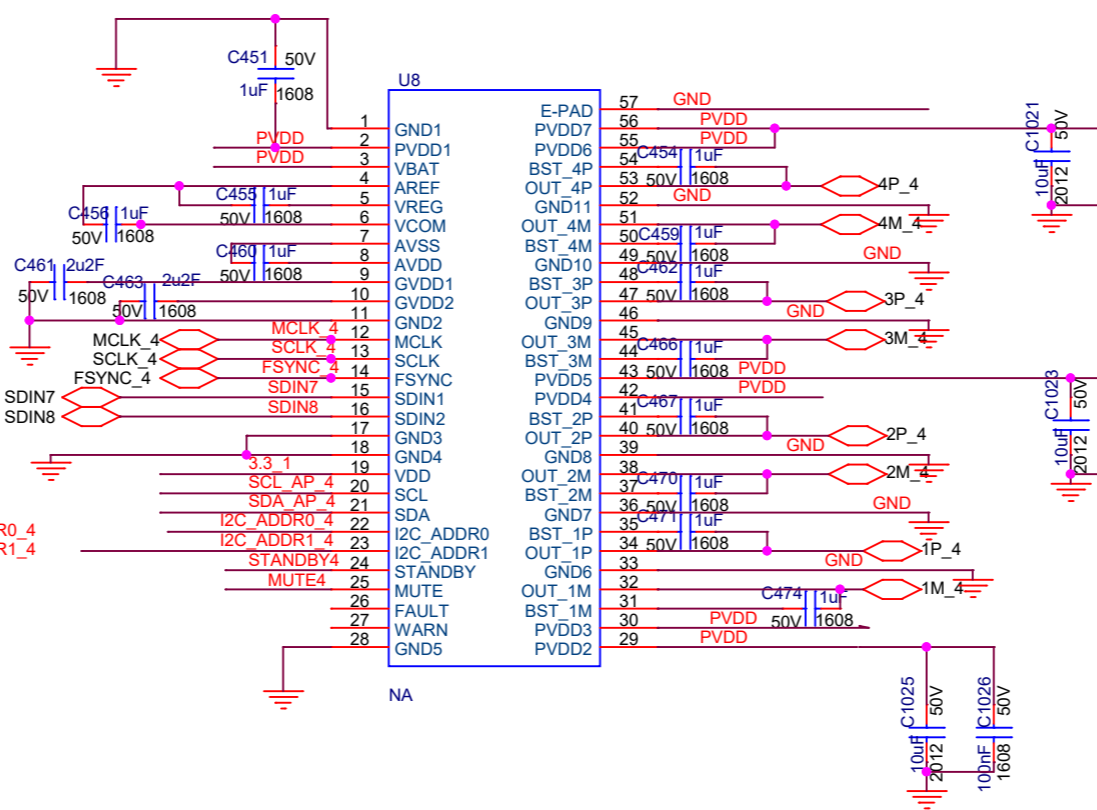
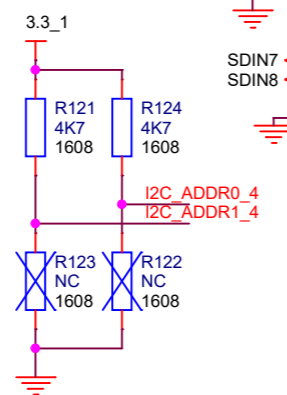
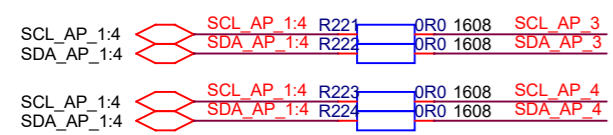
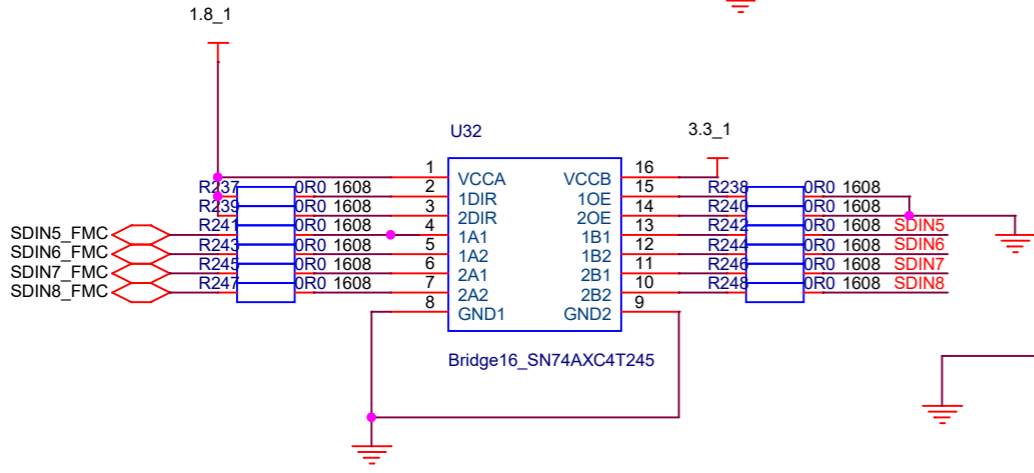
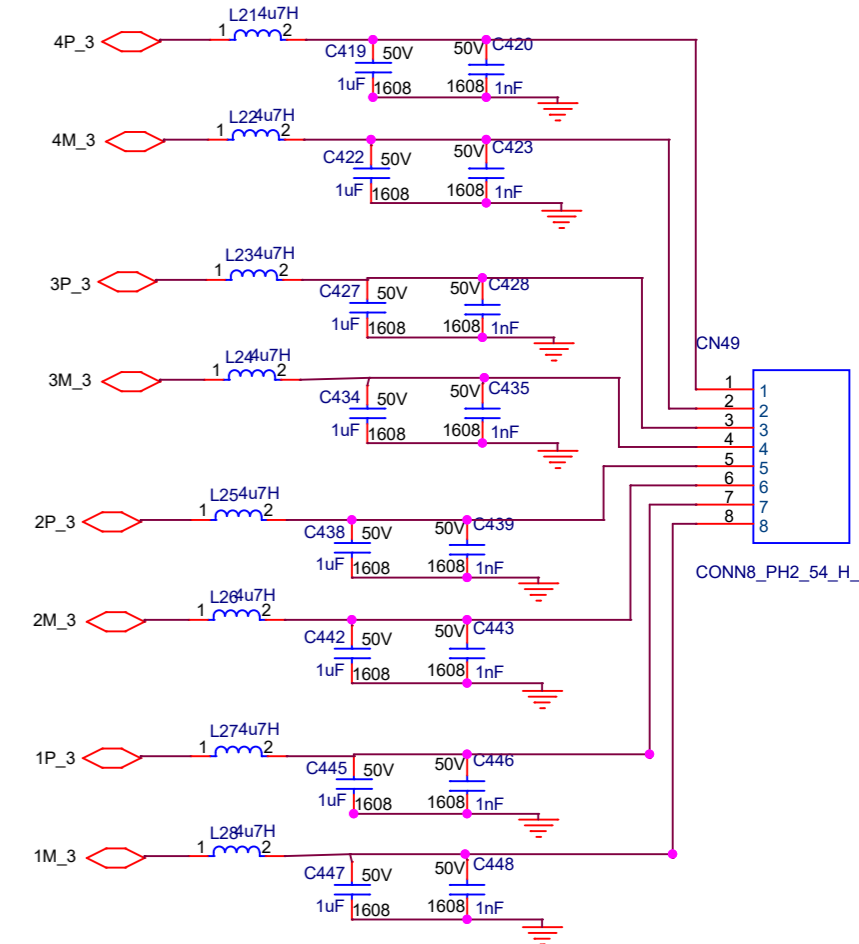
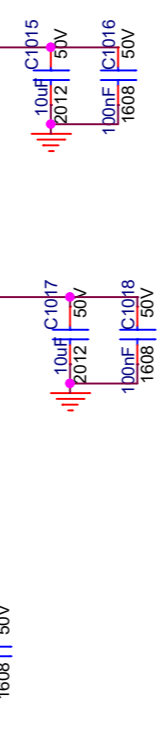
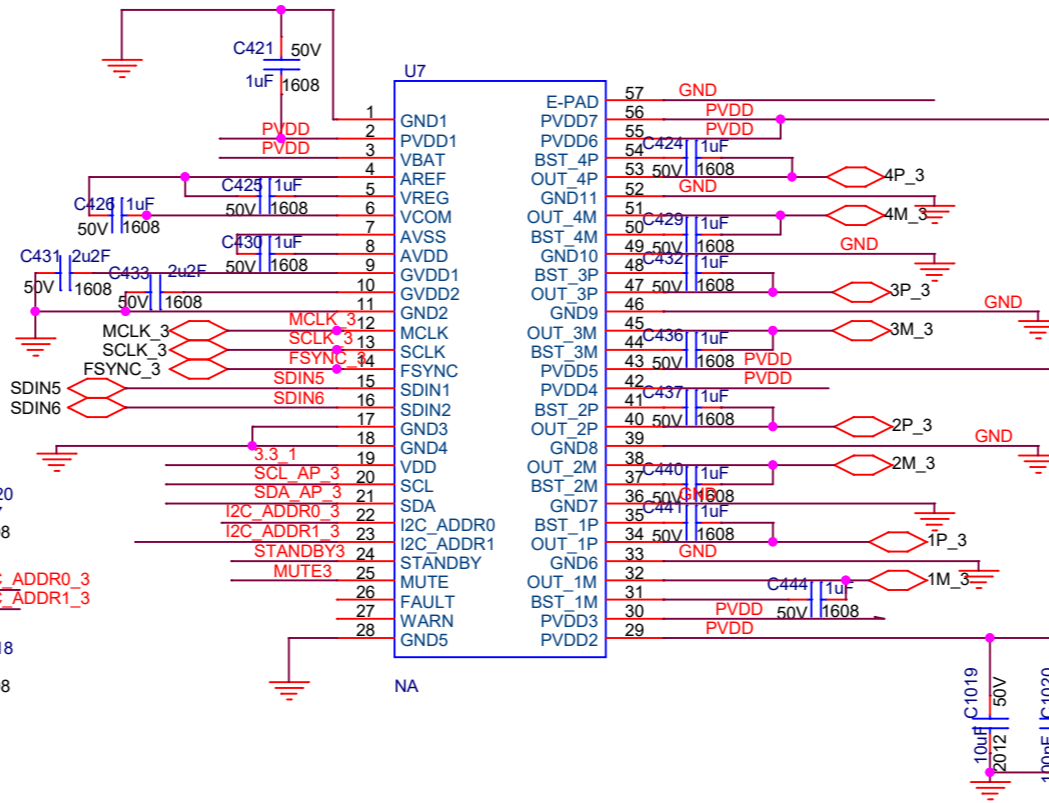
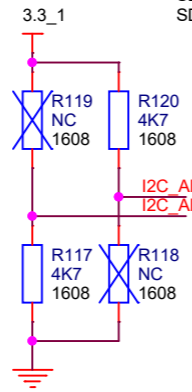
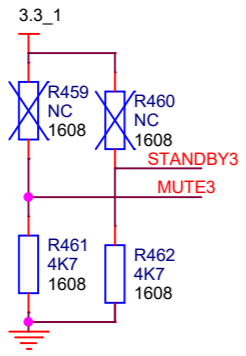
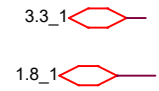
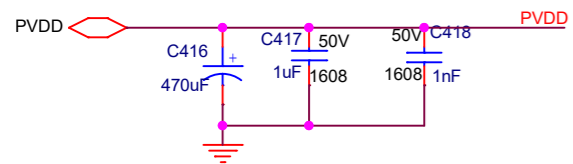
Power Connector



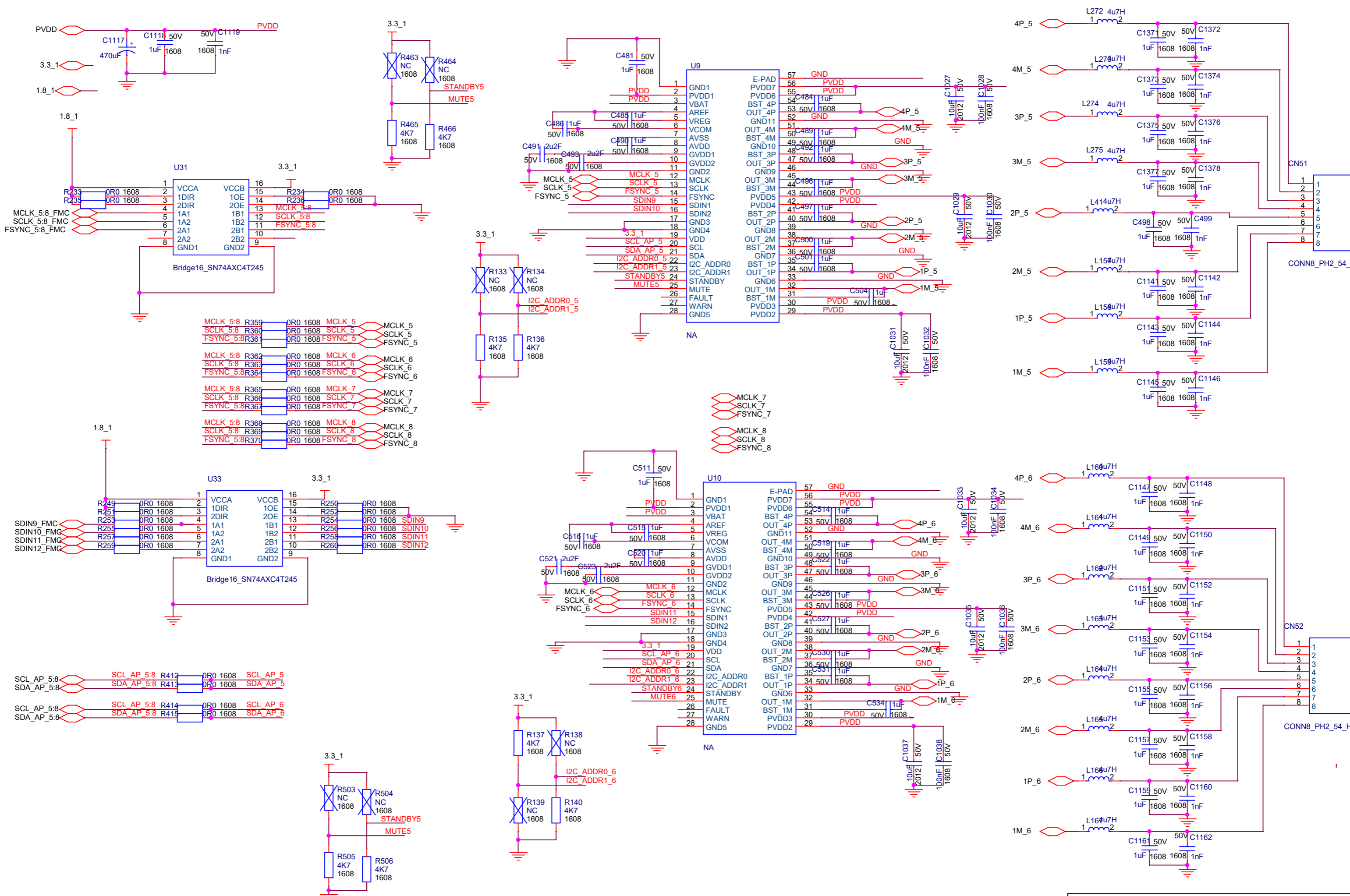
Title		<Title>
Size	Document Number	Rev
A3	<Doc>	<RevCod>
Date:	Tuesday, March 30, 2021	Sheet 1 of 1



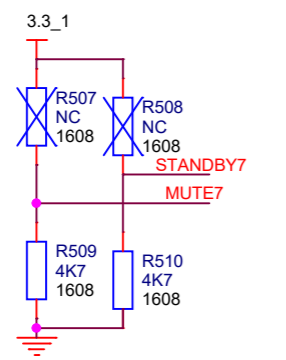
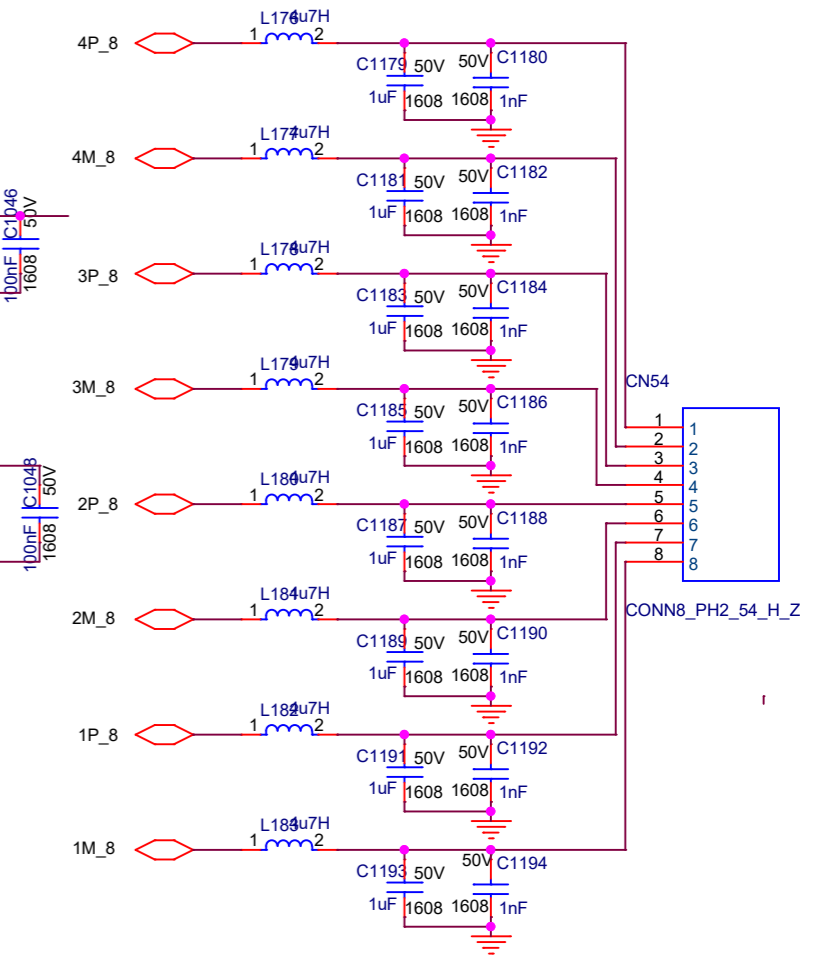
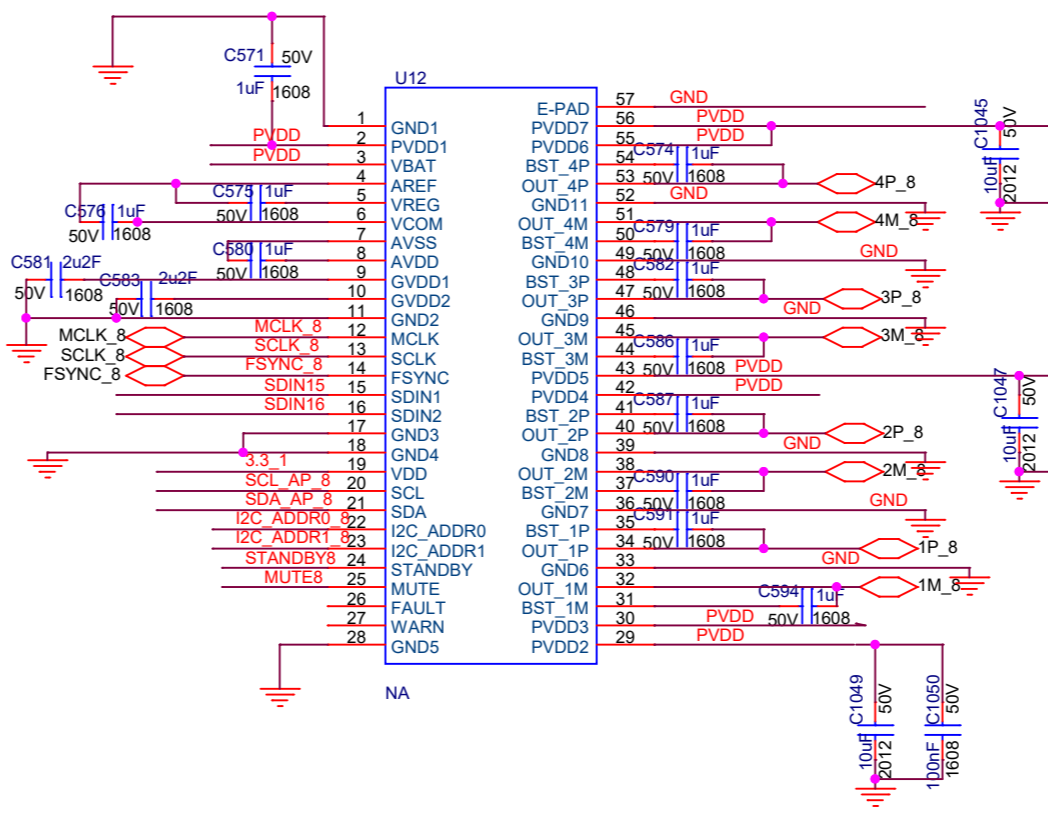
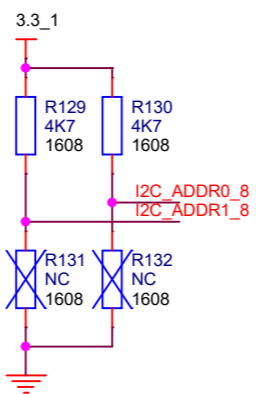
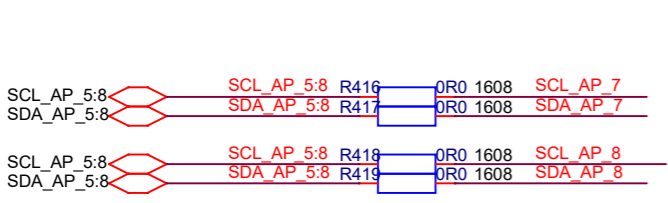
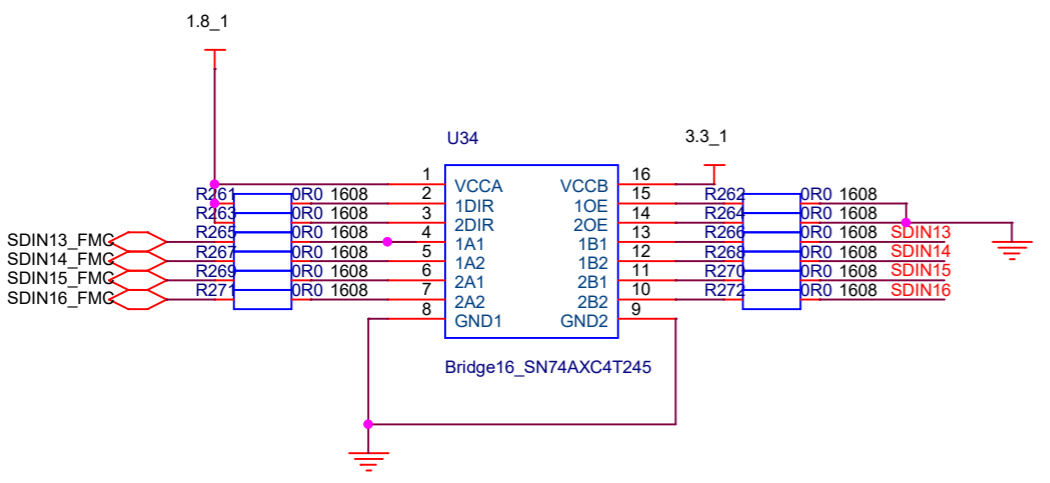
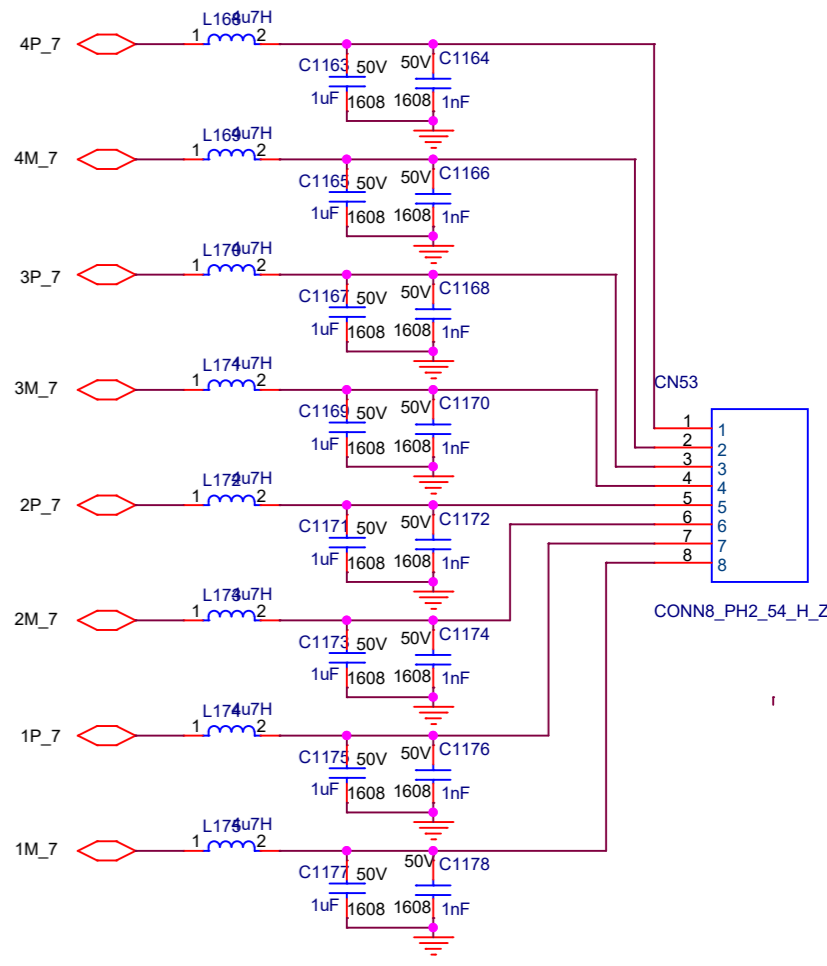
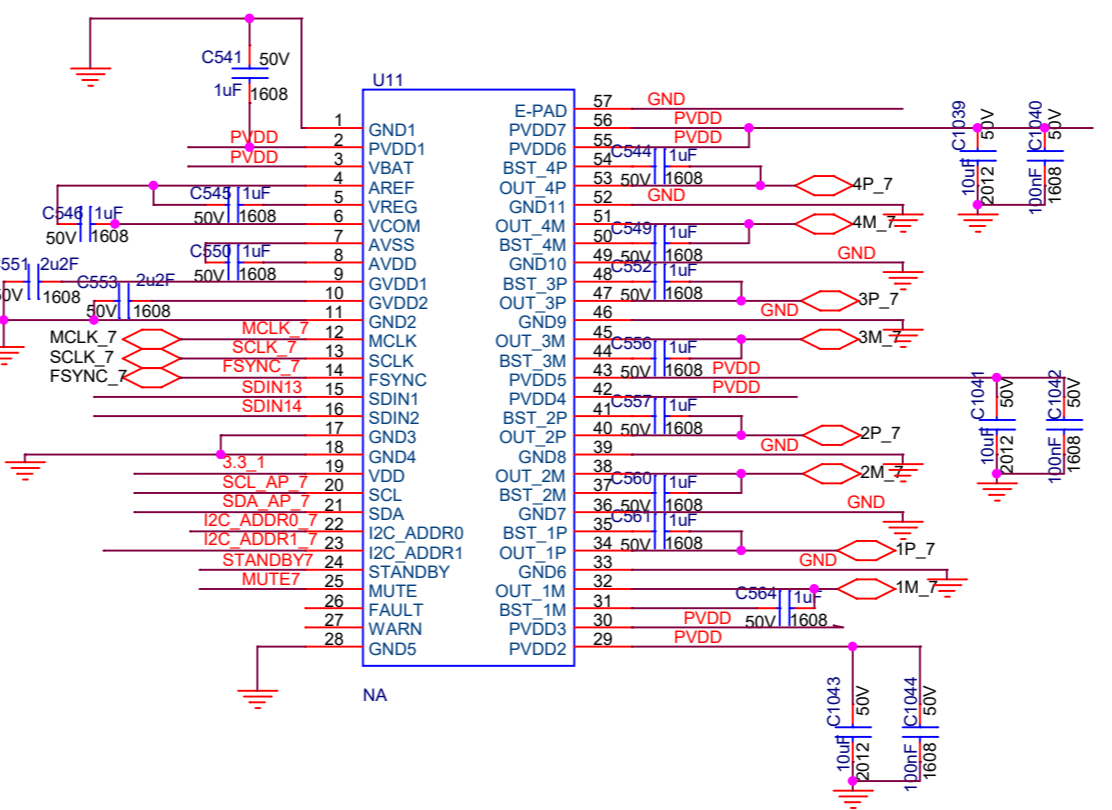
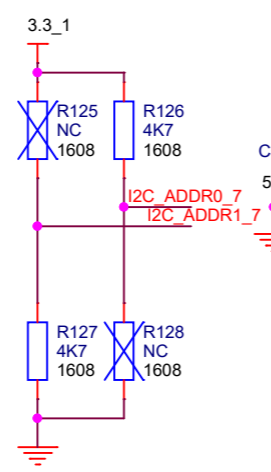
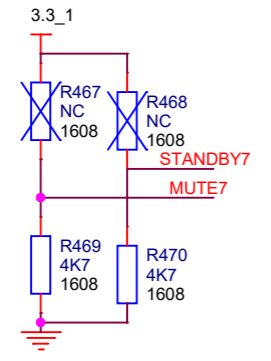
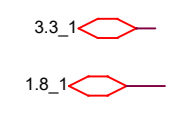
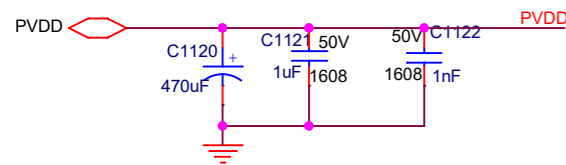
Title		<Title>
Size	Document Number	Rev
A3	<Doc>	<RevCod>
Date:	Tuesday, March 30, 2021	Sheet 1 of 1



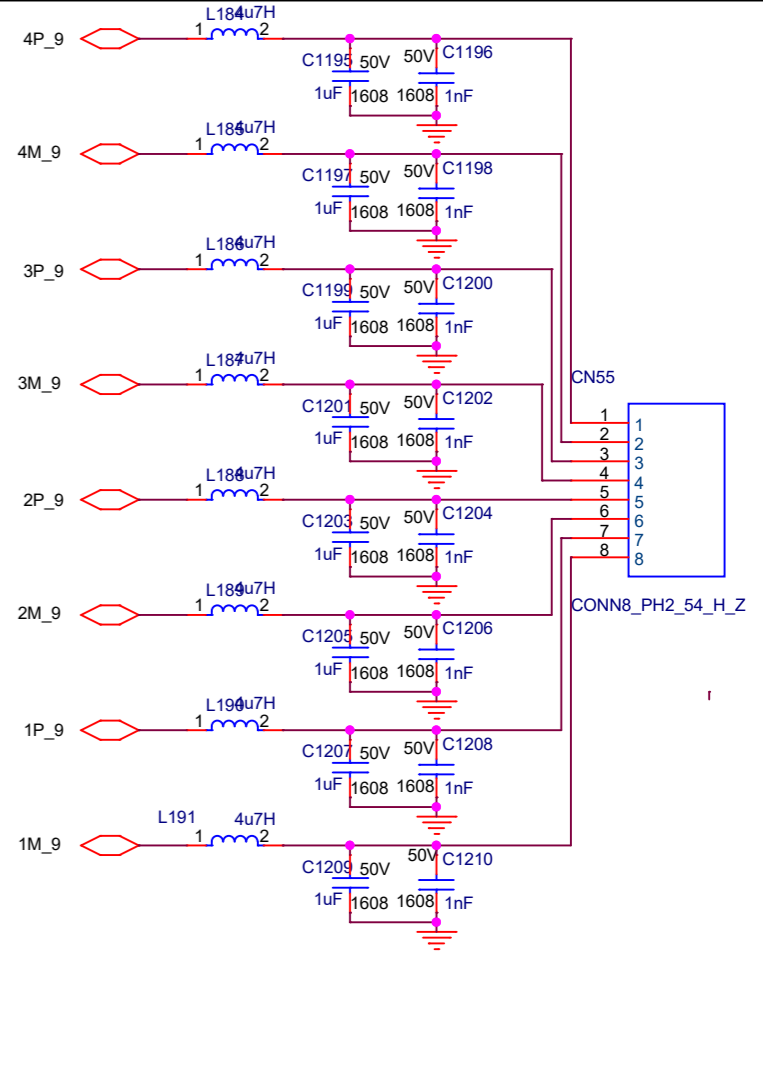
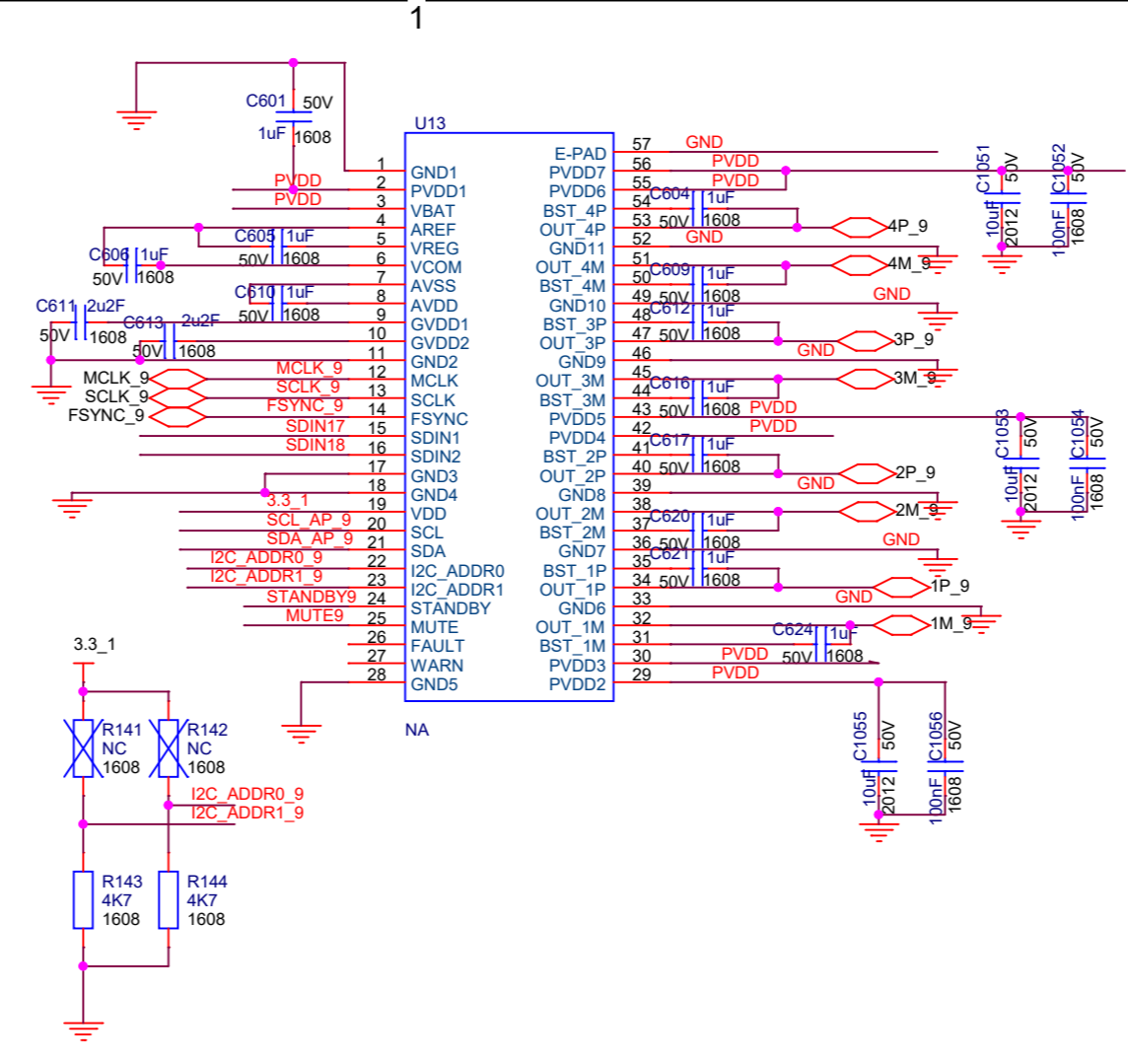
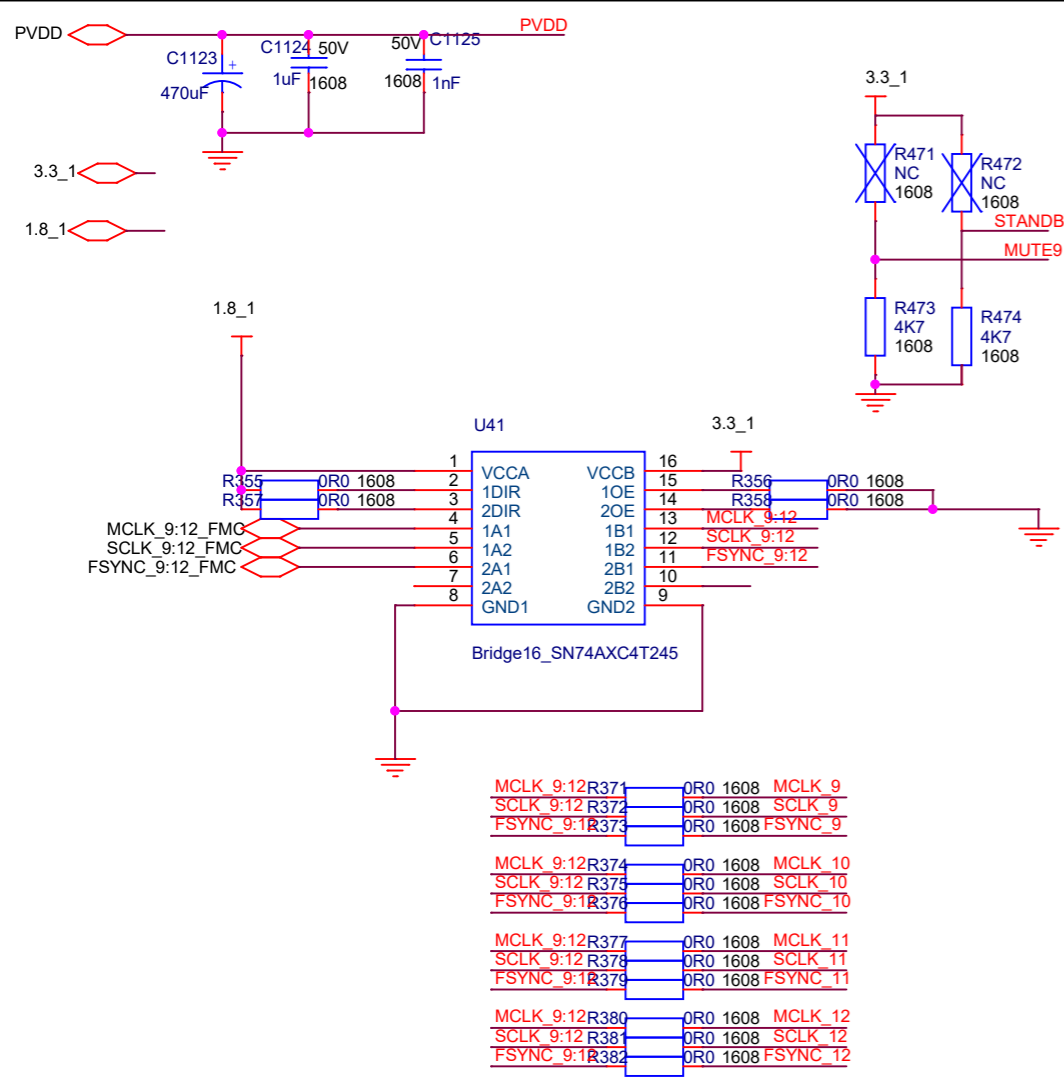
Title			<Title>
Size	A3	Document Number	<Doc>
Date:	Tuesday, March 30, 2021	Sheet	1 of 1
Rev	<Rev>		



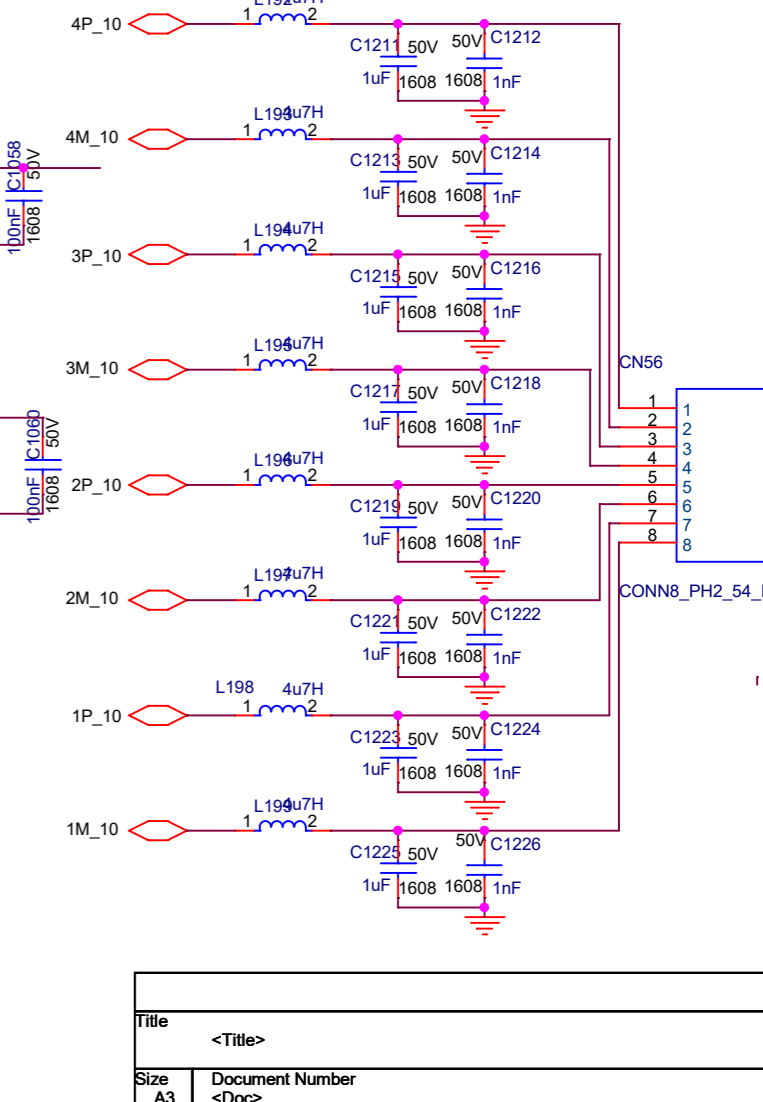
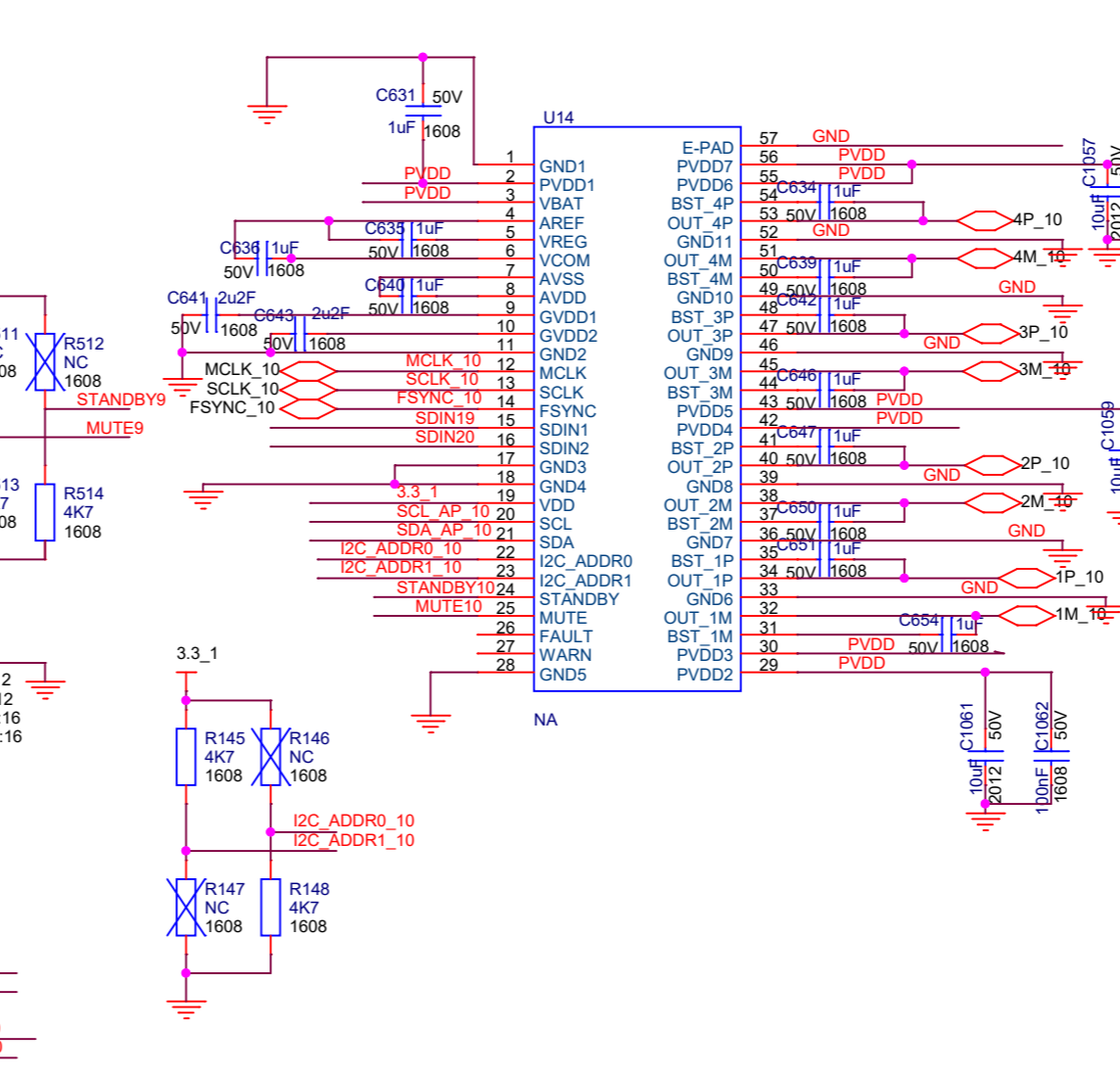
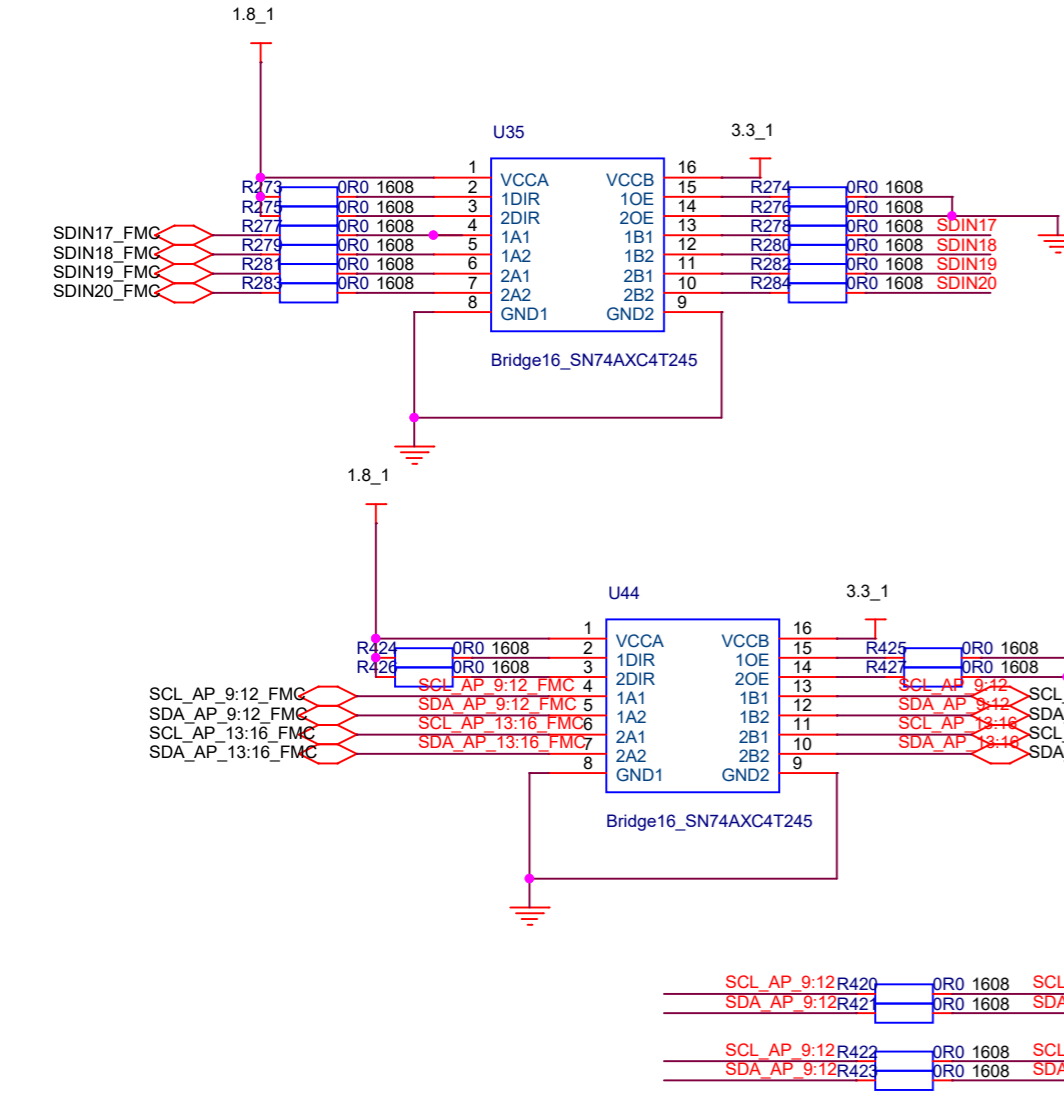
Title		<Title>
Size	A3	Document Number
Date:	Tuesday, March 30, 2021	Sheet 1 of 1
Rev	<Rev>	



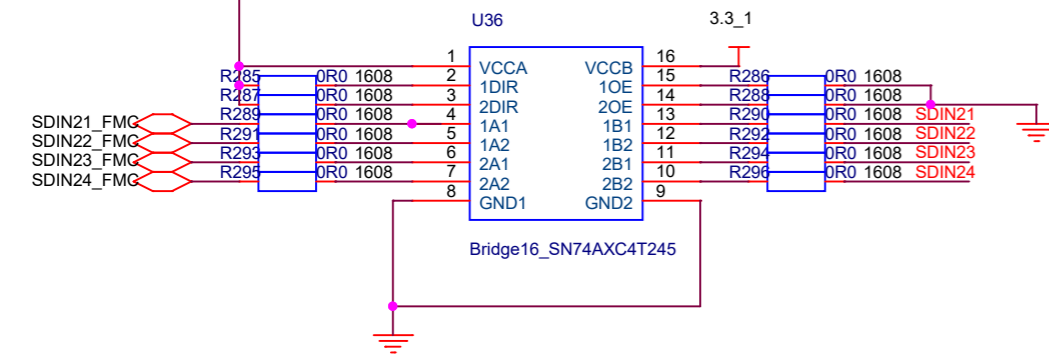
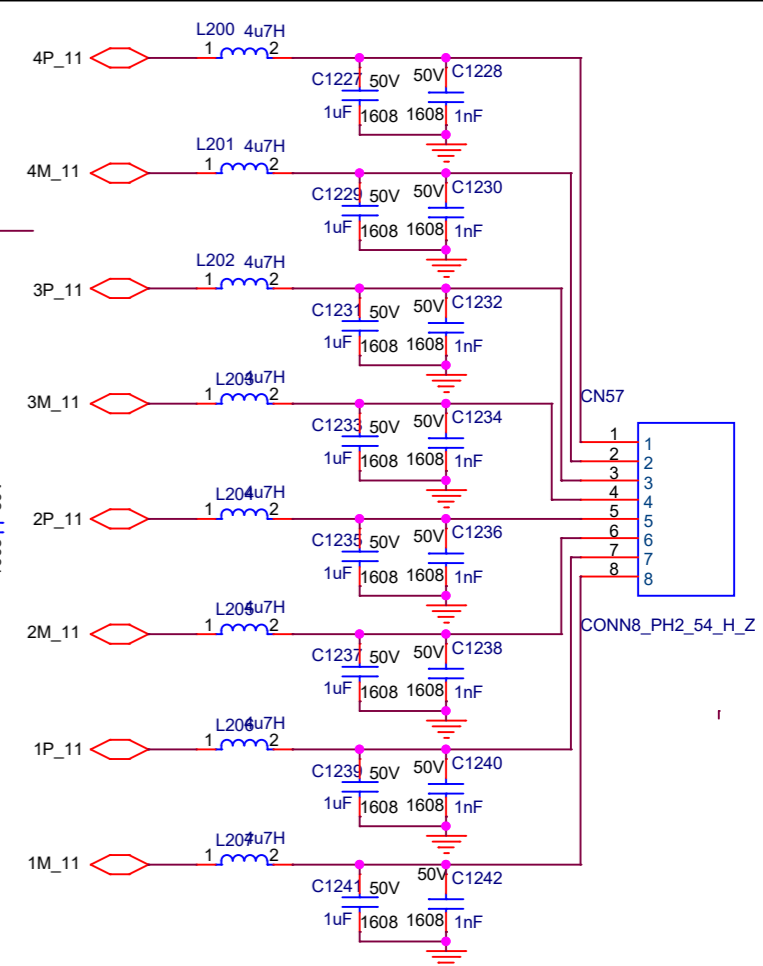
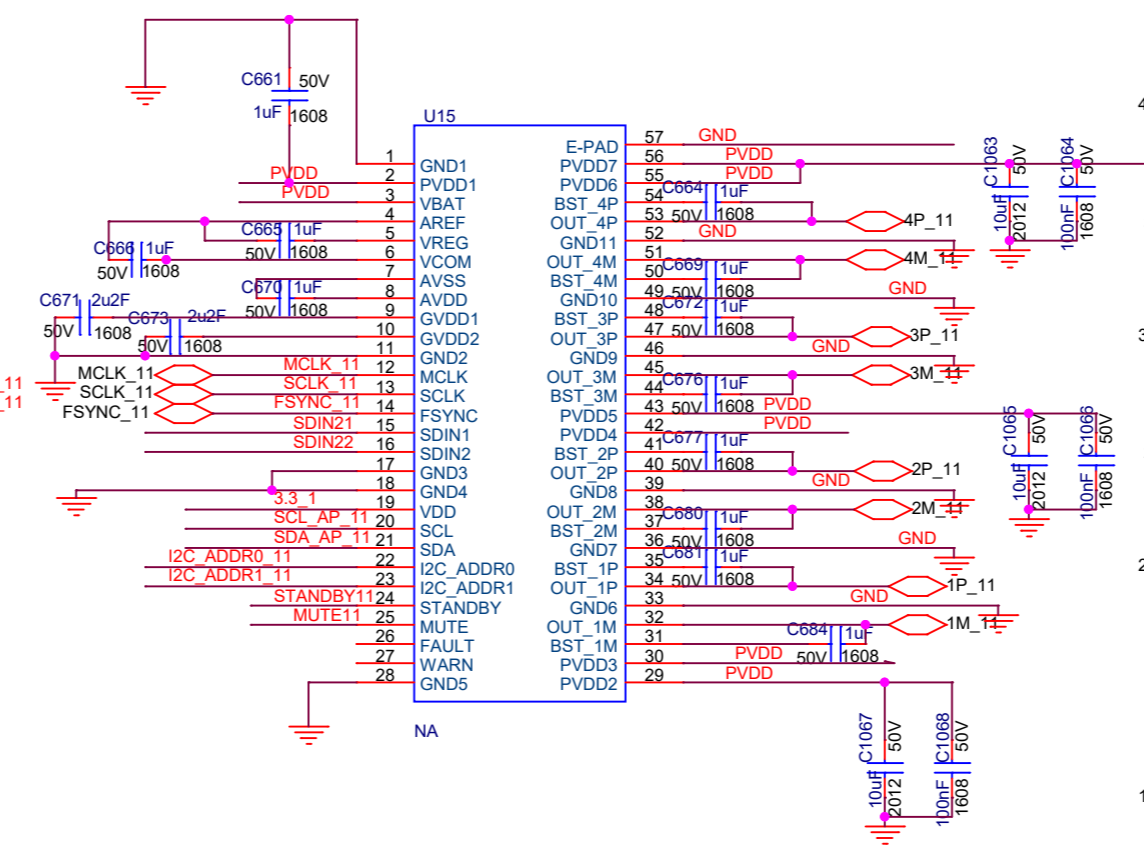
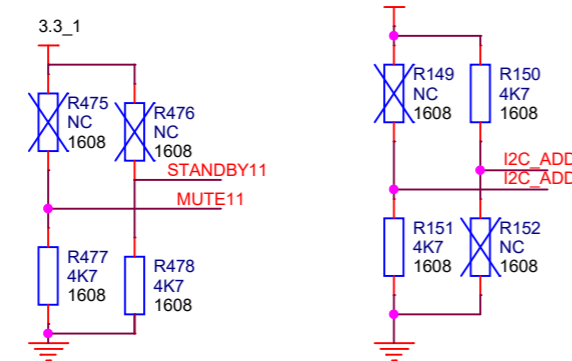
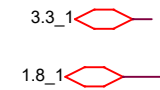
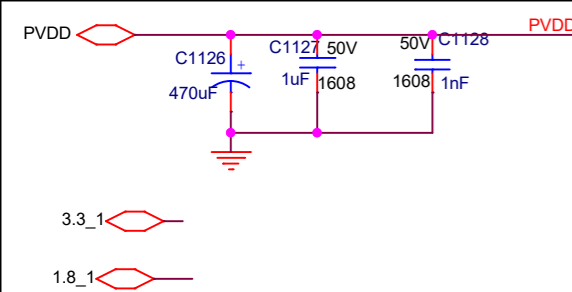
Title		<Title>
Size	A3	Document Number
Date:	Tuesday, March 30, 2021	Rev
Sheet	1	of 1



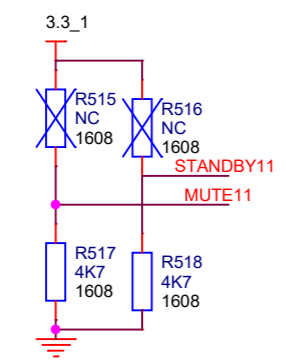
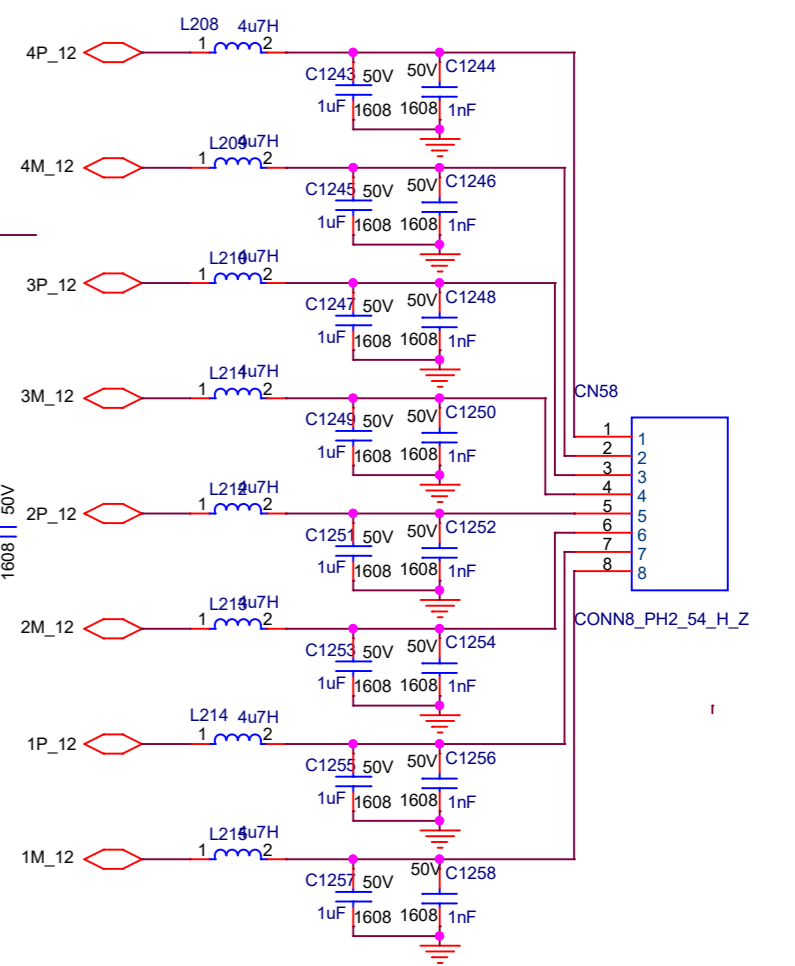
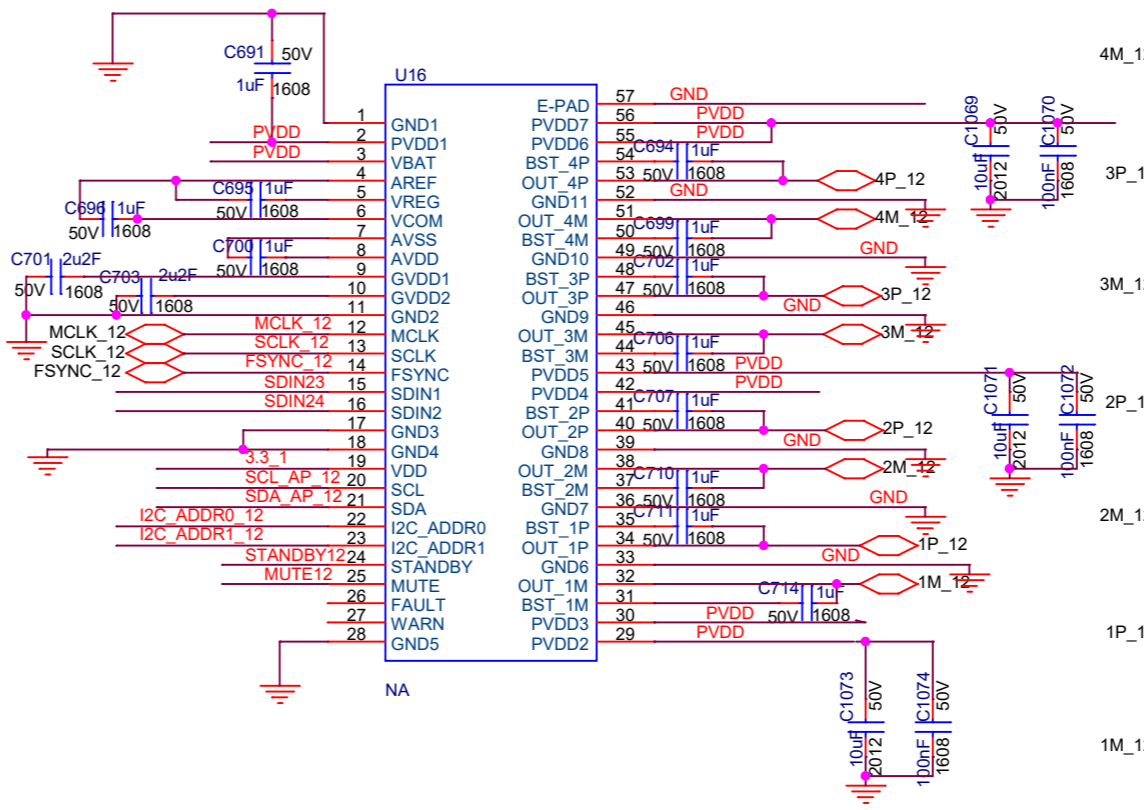
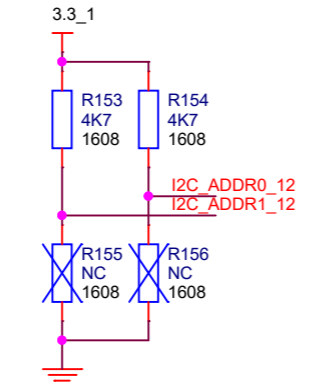
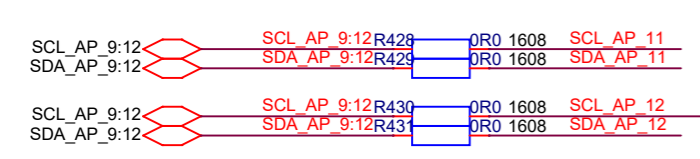
A



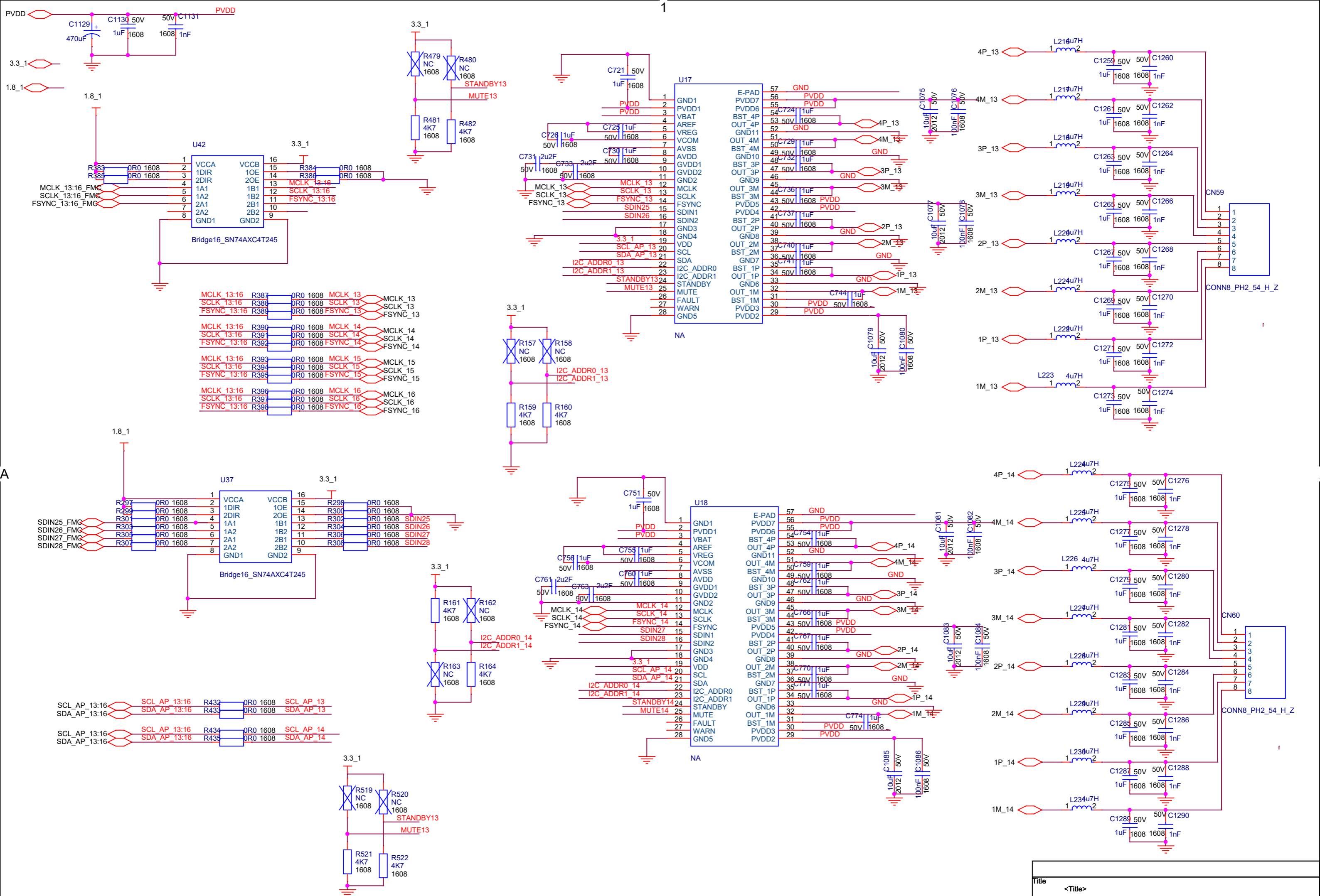
Title		<Title>
Size	Document Number	Rev
A3	<Doc>	<Rev>
Date:	Tuesday, March 30, 2021	Sheet 1 of 1



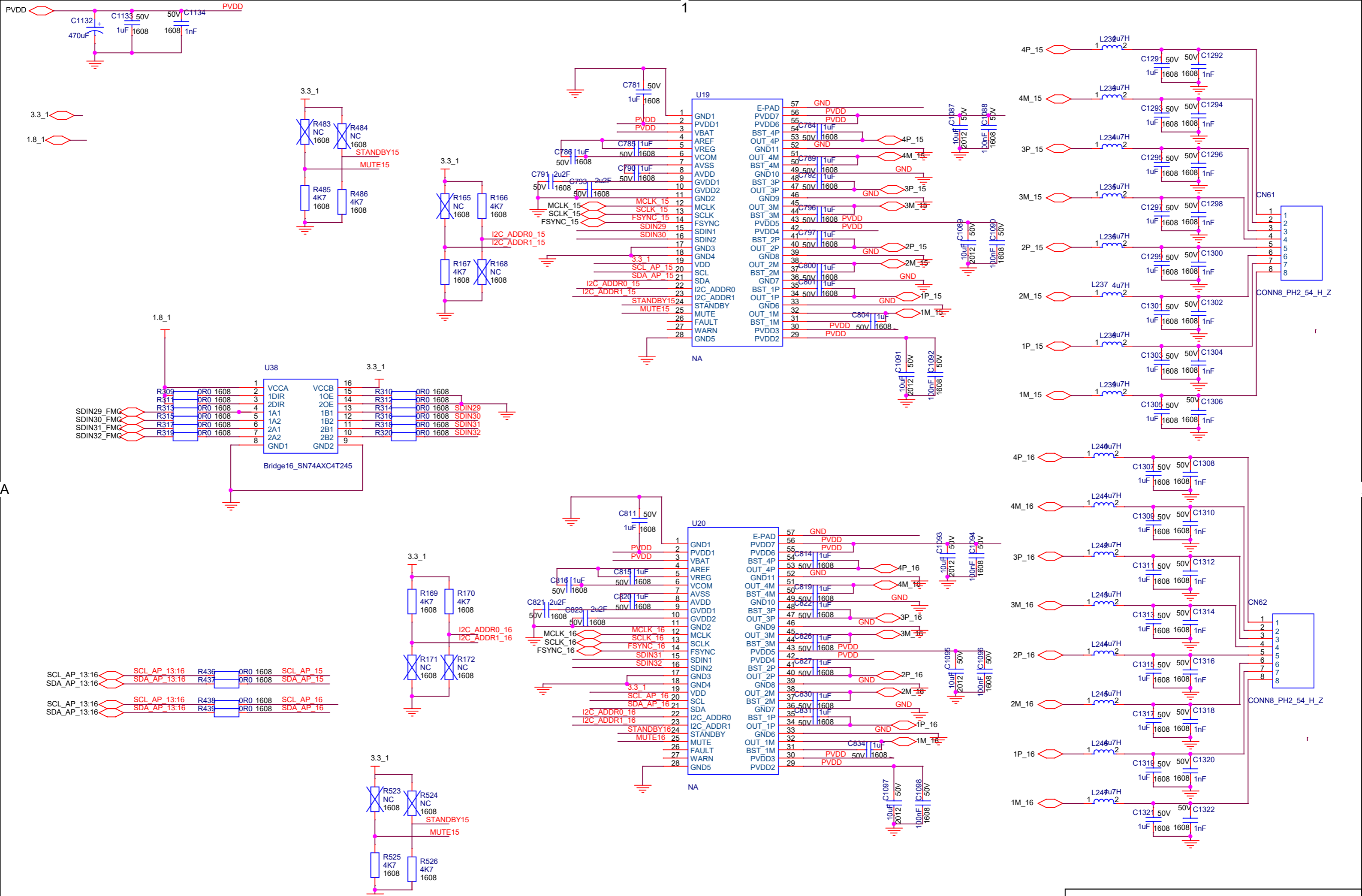
A



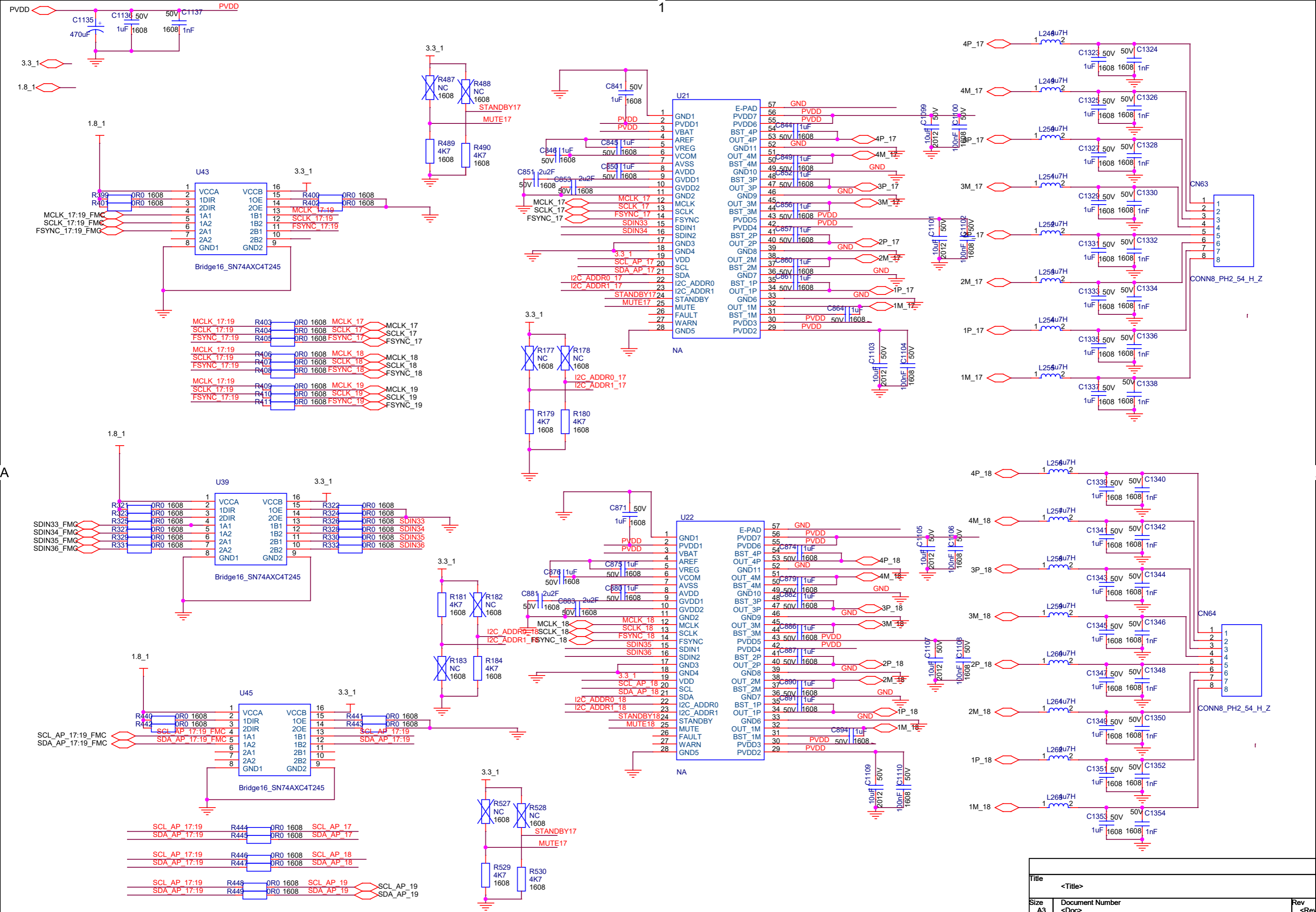
Title		<Title>
Size	Document Number	Rev
A3	<Doc>	<Rev>
Date:	Tuesday, March 30, 2021	Sheet 1 of 1



Title		<Title>
Size	A3	Document Number
Date:	Tuesday, March 30, 2021	Sheet 1 of 1
Rev	<Rev>	



Title		<Title>
Size	Document Number	Rev
A3	<Doc>	<Rev>
Date:	Tuesday, March 30, 2021	Sheet 1 of 1



MCLK_17:19	R403	0R0 1608	MCLK_17	MCLK_17
SCLK_17:19	R404	0R0 1608	SCLK_17	SCLK_17
FSYNC_17:19	R405	0R0 1608	FSYNC_17	FSYNC_17
MCLK_17:19	R406	0R0 1608	MCLK_18	MCLK_18
SCLK_17:19	R407	0R0 1608	SCLK_18	SCLK_18
FSYNC_17:19	R408	0R0 1608	FSYNC_18	FSYNC_18
MCLK_17:19	R409	0R0 1608	MCLK_19	MCLK_19
SCLK_17:19	R410	0R0 1608	SCLK_19	SCLK_19
FSYNC_17:19	R411	0R0 1608	FSYNC_19	FSYNC_19

SCL AP 17:19	R444	0R0 1608	SCL AP 17	SCL AP 17
SDA AP 17:19	R445	0R0 1608	SDA AP 17	SDA AP 17
SCL AP 17:19	R446	0R0 1608	SCL AP 18	SCL AP 18
SDA AP 17:19	R447	0R0 1608	SDA AP 18	SDA AP 18
SCL AP 17:19	R448	0R0 1608	SCL AP 19	SCL AP 19
SDA AP 17:19	R449	0R0 1608	SDA AP 19	SDA AP 19

Title	<Title>	
Size	A3	Document Number
Date:	Tuesday, March 30, 2021	Rev <Rev>
Sheet	1	of 1

