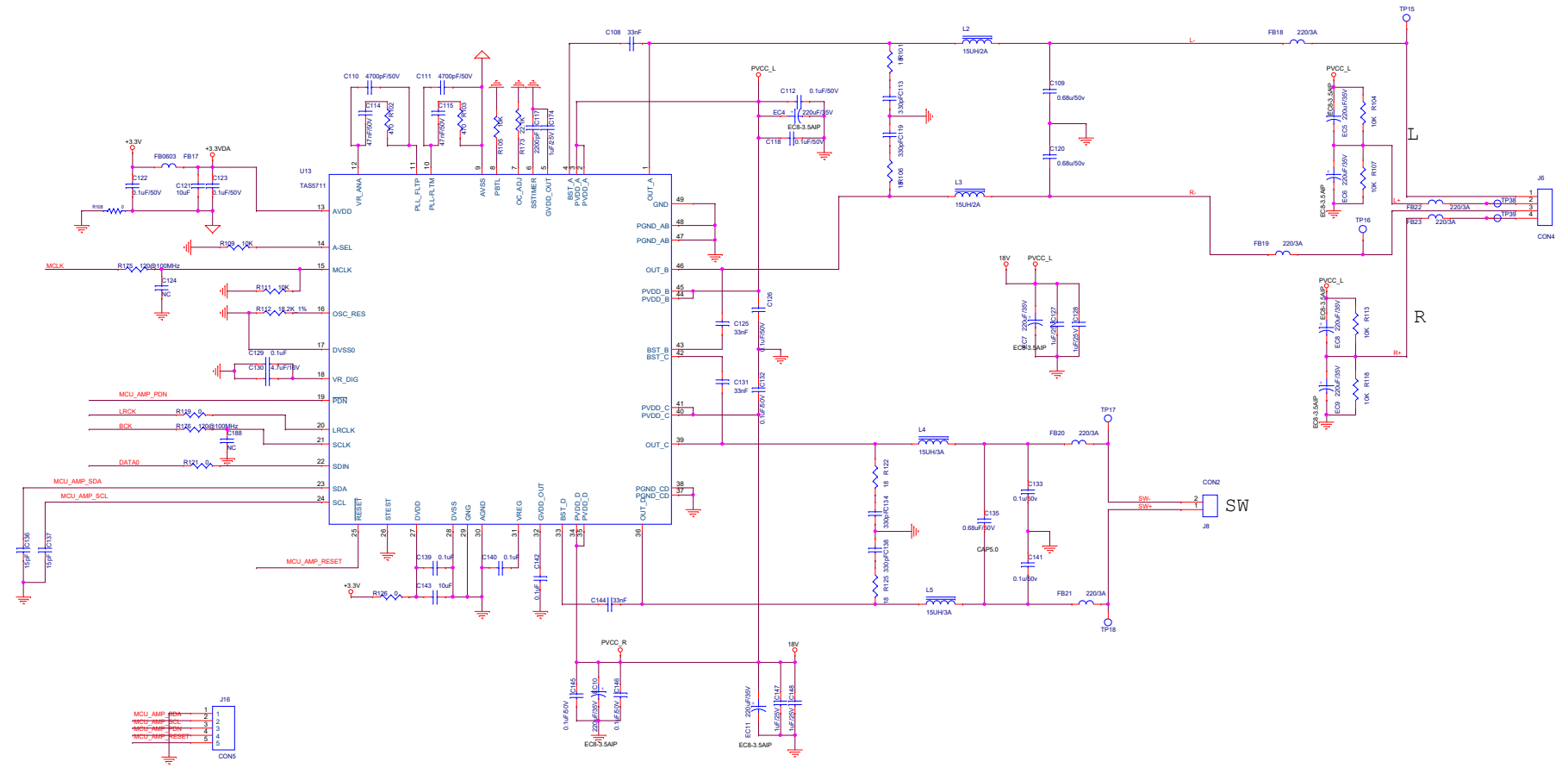


MCU_AMP_SDA <- MCU_AMP_SDA
 MCU_AMP_SCL <- MCU_AMP_SCL
 MCU_AMP_RESET <- MCU_AMP_RESET
 MCU_AMP_PDN <- MCU_AMP_PDN

 MCLK <- MCLK
 LRCK <- LRCK
 BCK <- BCK
 DATA0 <- DATA0

+3.3V
 MCU_AMP_RESET
 MCU_AMP_SCL
 MCU_AMP_SDA
 MCU_AMP_PDN



| | | | | |
|-------|---------------------------|-------|---|-----------------|
| Title | | | | Radio Station |
| Doc | | | | Document Number |
| Contn | | | | AMP |
| Date: | Monday, November 06, 2017 | Sheet | 5 | of 6 |
| Rev | | | | 1.1 |