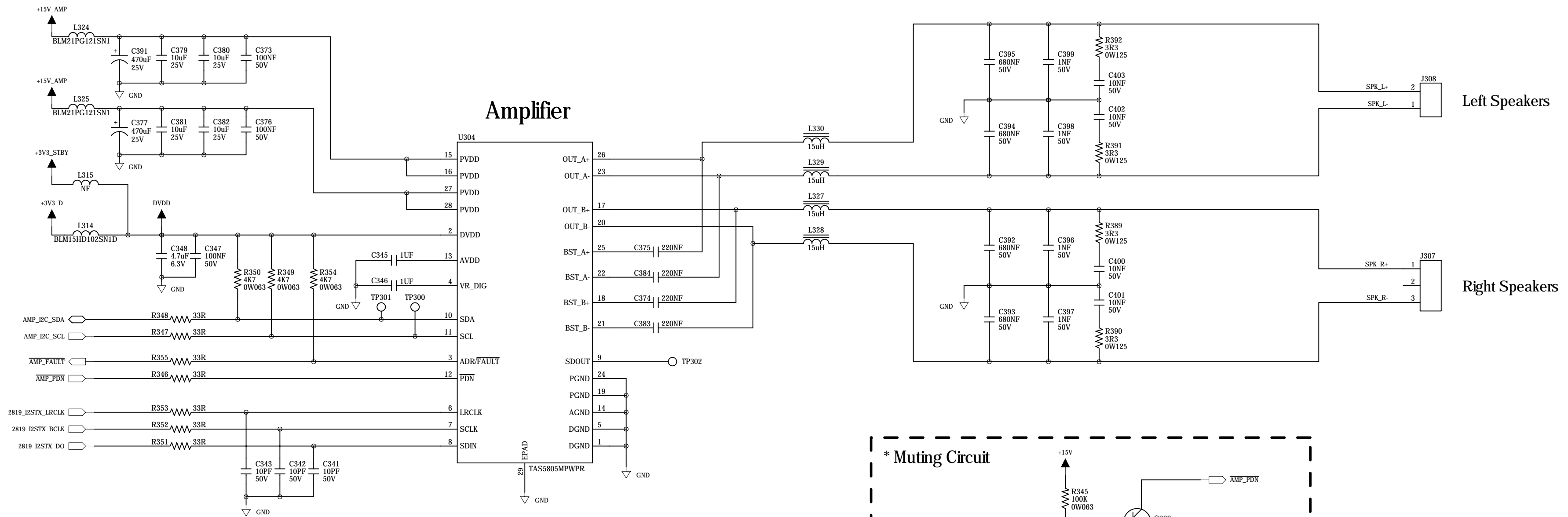
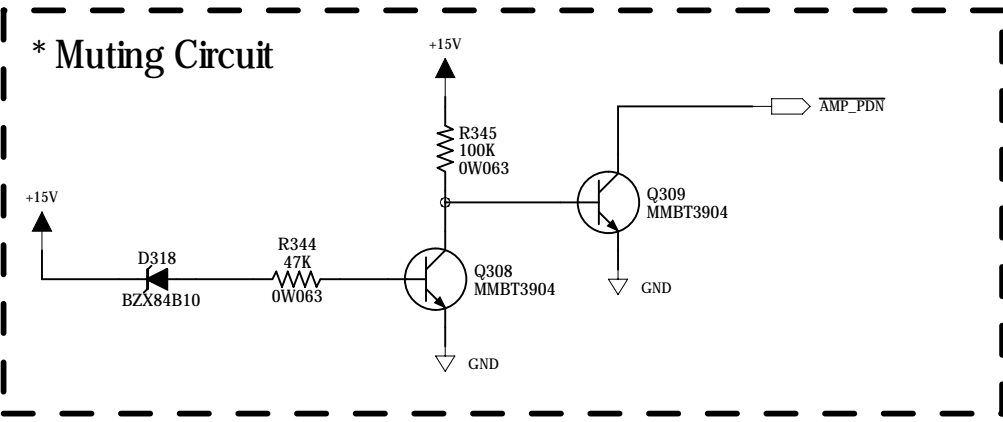


**\* CONFIDENTIAL UNDER NDA!**

REVISION RECORD			
LTR	ECO NO:	APPROVED:	DATE:



I2C Address: 0x2C(R337=4.7K); 0x2D(R337=15K)



DRAWN: <b>Bright He</b>		DATED: <b>2019-08-20</b>		COMPANY: <b>RAYLEIGH LABS</b>			
CHECKED: <b>N/A</b>		DATED: <b>N/A</b>		TITLE: <b>SPK8311 CD - Amplifier</b>			
QUALITY CONTROL: <b>N/A</b>		DATED: <b>N/A</b>		CODE: <b>N/A</b>	SIZE: <b>A2</b>	DRAWING NO: <b>N/A</b>	REV: <b>1</b>
RELEASED: <b>N/A</b>		DATED: <b>N/A</b>		SCALE: <b>N/A</b>		SHEET: <b>4 OF 5</b>	