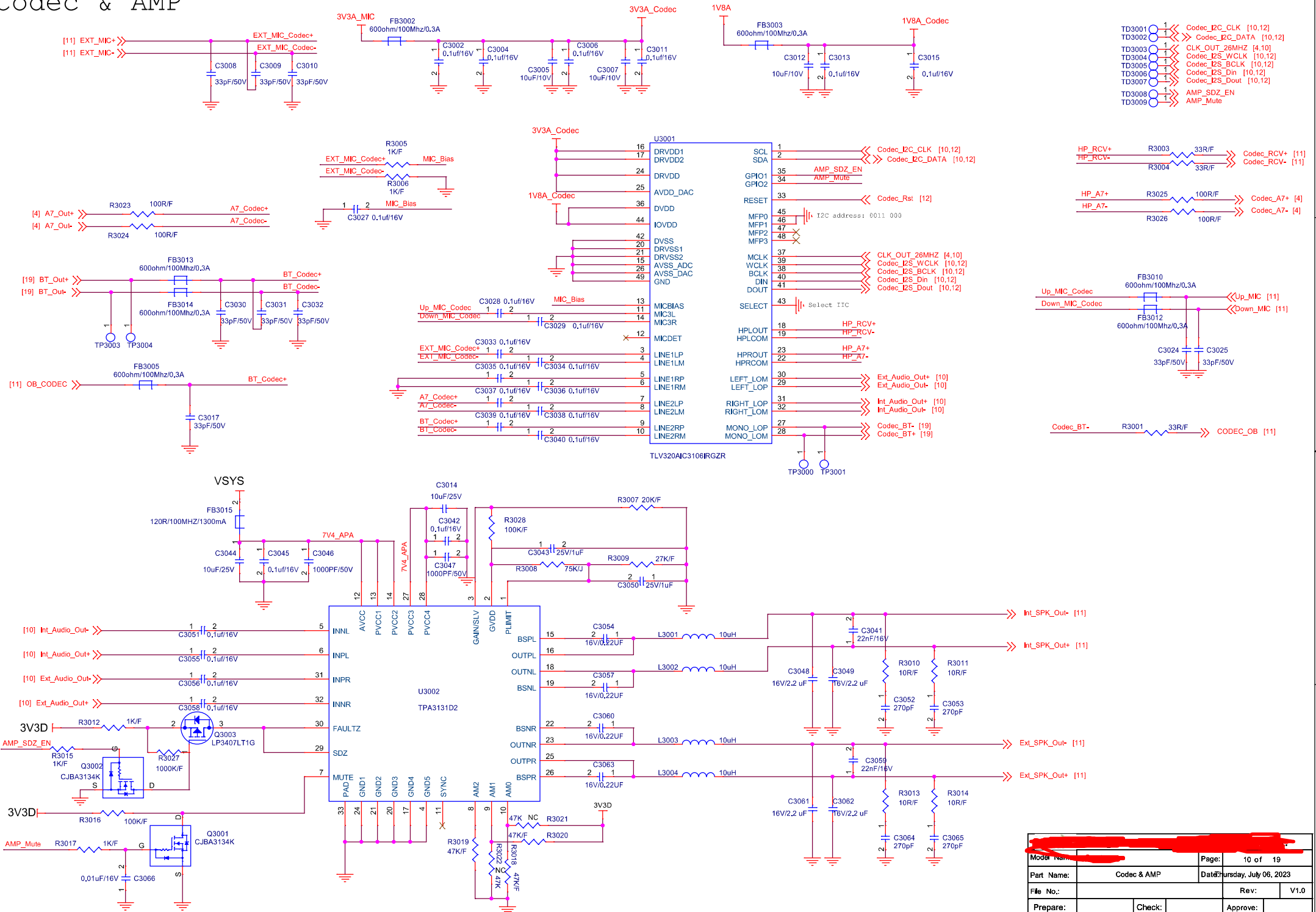
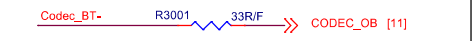
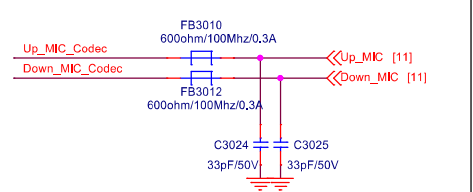
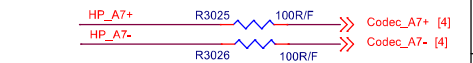
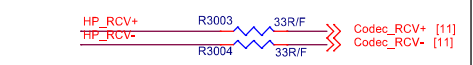


Codec & AMP



- TD3001 1 <<> Codec_I2C_CLK [10,12]
- TD3002 1 <<> Codec_I2C_DATA [10,12]
- TD3003 1 <<> CLK_OUT_26MHZ [4,10]
- TD3004 1 <<> Codec_I2S_WCLK [10,12]
- TD3005 1 <<> Codec_I2S_BCLK [10,12]
- TD3006 1 <<> Codec_I2S_Din [10,12]
- TD3007 1 <<> Codec_I2S_Dout [10,12]
- TD3008 1 <<> AMP_SDZ_EN
- TD3009 1 <<> AMP_Mute



Model Name:		Page:	10 of 19
Part Name:	Codec & AMP	Date:	Tuesday, July 06, 2023
File No.:		Rev:	V1.0
Prepare:		Check:	Approve: