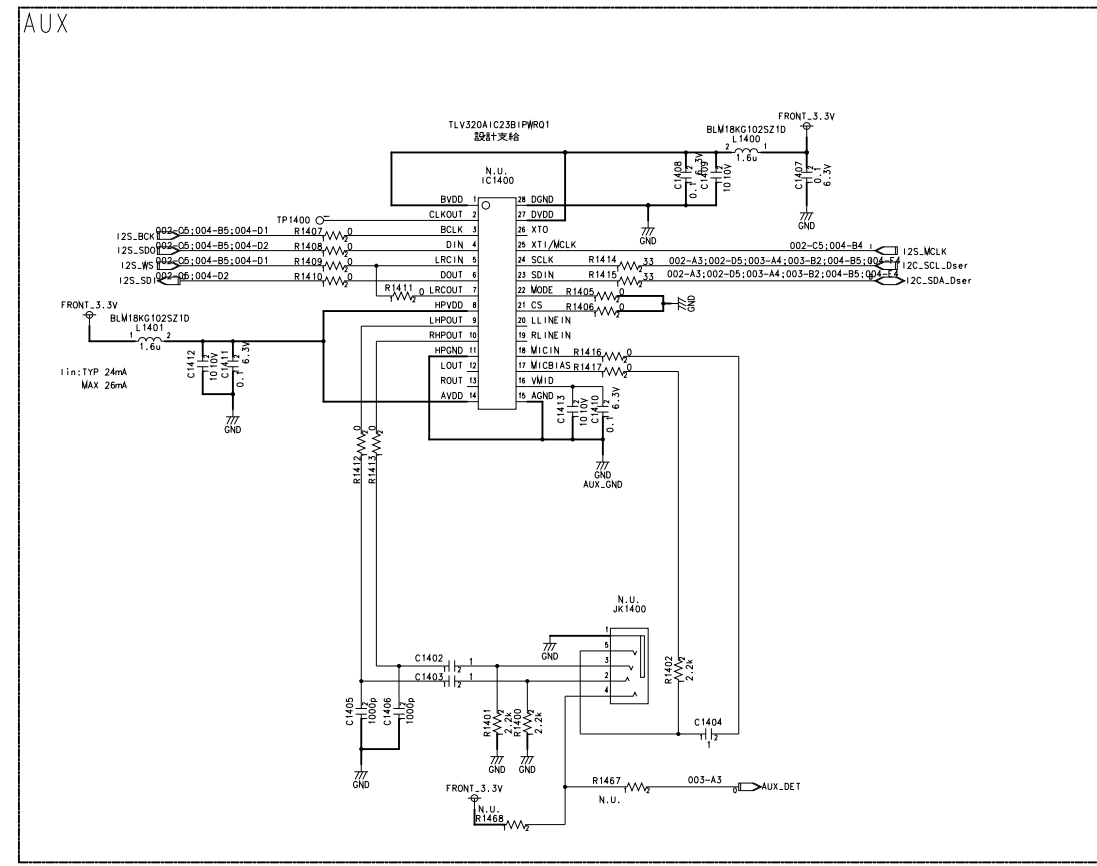


RELEASED FOR PRODUCTION  
001  
For the drawing number registered before October 6, 2003.  
"001" is treated as "0".



サービス用図面枠

RELEASES AND REVISIONS		MEMO
ISSUE	[DRAWN BY] / [CHECKED BY] / [APPROVED BY]	
ALPINE ELECTRONICS, INC.		
APPROVED BY	承認者	CHECKED BY 照査者
		DRAWN BY 回路作成者
PRODUCT CODE プロダクトコード		
T-DOCUMENT CODE Tドキュメントコード		
CONTENT CODE	回路図番	ISSUE
T-DOCUMENT NAME Tドキュメント名		(4/4)

TOLERANCES UNLESS OTHERWISE SPEC.	ALL RIGHT ANGLE UNLESS SPECIFIED	UNIT	SCALE
DIVISIONS OF DIMENSIONS	WHEN ADDITIVE FINISH IS SPECIFIED	MM	
L ≤ 30	TOLERANCE & LIMITS APPLY OVER FINISH PROCEDURE	THIRD ANGLE	
30 < L ≤ 120	ANGULAR TOLERANCES SPECIFIED AT DIM.	ORTHOGONAL PROJECTION	
120 < L		OWNERSHIP OF TOOL	
		<input type="checkbox"/> Y <input type="checkbox"/> N	
		REVISIONS INDICATED BY	
		CIRCLED LETTERS	

CONTENT DESCRIPTION (FINISH OR PROCESSING)

MATERIAL OR SOURCE OF CONTENT

MATERIAL TEMPER OR HARDNESS