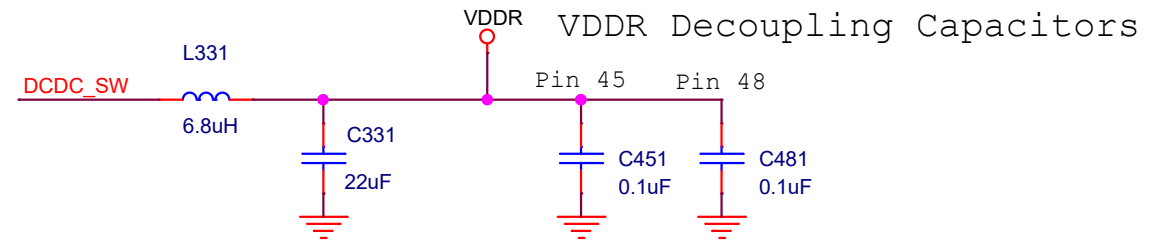
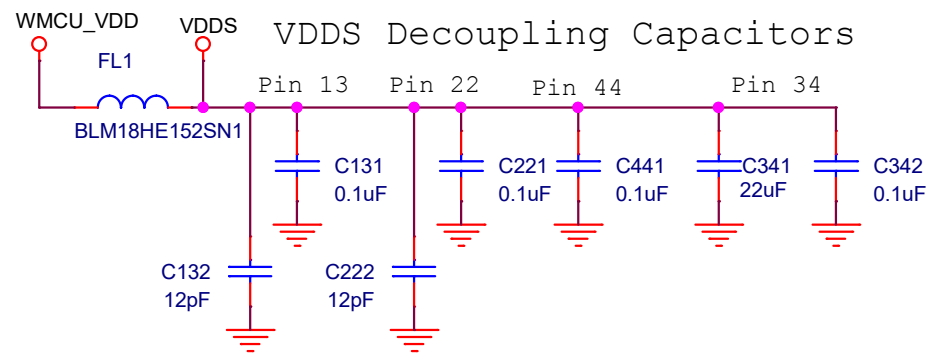
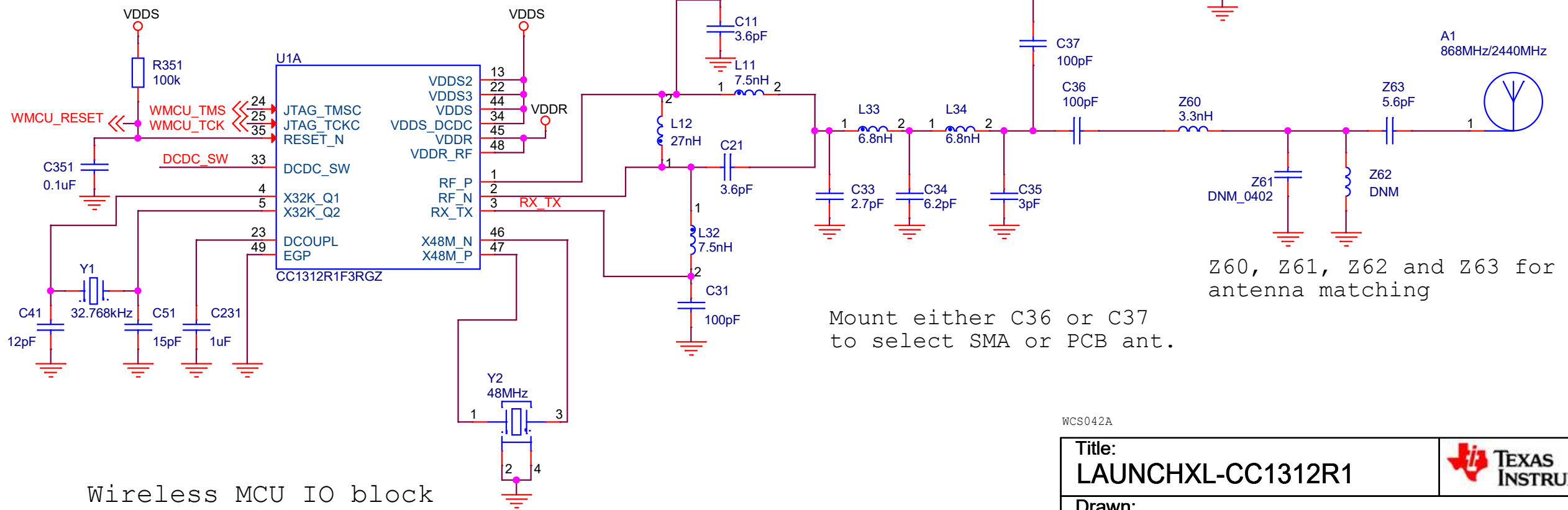


Wireless MCU RF



Place L331 and C331 close to pin 33.
Low inductance ground for C331



Wireless MCU IO block placed on page 2.

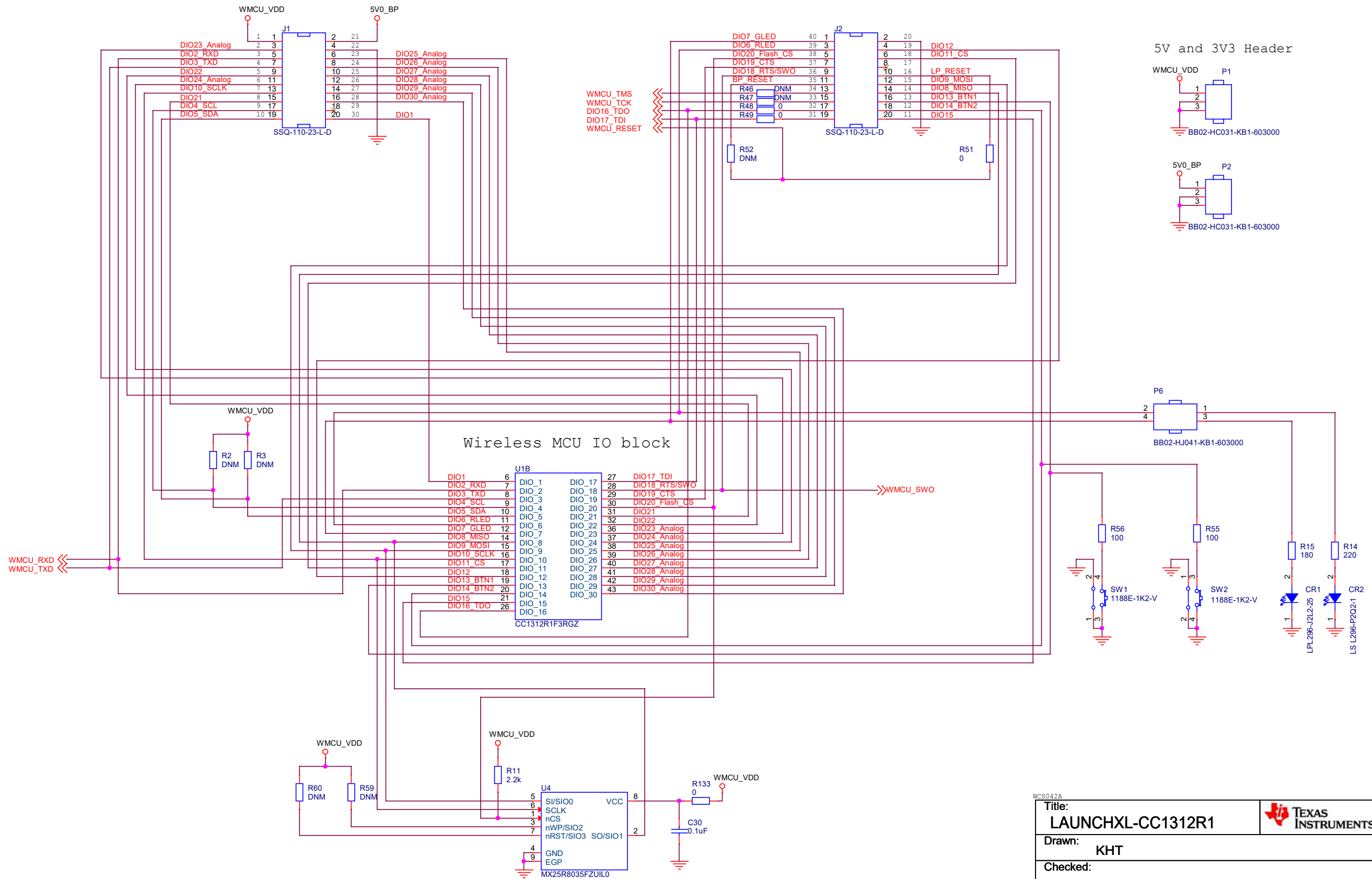
Mount either C36 or C37 to select SMA or PCB ant.

Z60, Z61, Z62 and Z63 for antenna matching

WCS042A

Title: LAUNCHXL-CC1312R1		
Drawn: PM		
Checked:		
Size: A4	Rev: A	Sheet: 1 of 7
Date: Friday, October 20, 2017		

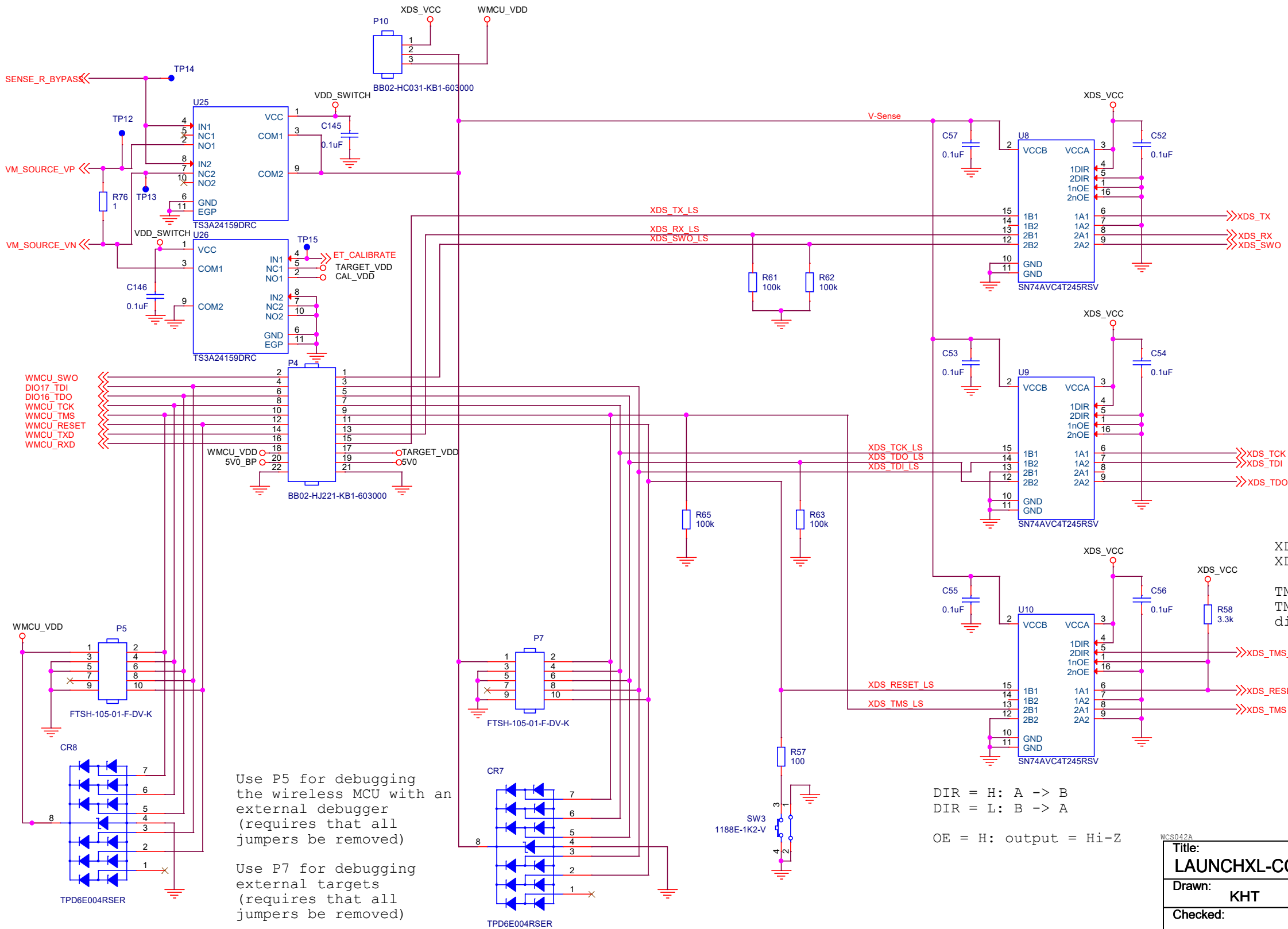
BoosterPack Headers and Peripherals



Title: LAUNCHXL-CC1312R1		 TEXAS INSTRUMENTS
Drawn: KHT		
Checked:		
Size: A3	Rev: A	Sheet: 2 of 7
Date: Friday, October 20, 2017		

XDS110 Debugger Interface

P10 selects the voltage source for the level shifters
 When powering the wireless MCU from the XDS supply, connect jumper between pins 1 and 2.
 When powering the wireless MCU from the external supply, connect jumper between pins 2 and 3.



XDS-RST = 0 -> output = 0
 XDS-RST = 1 -> output = Hi-Z

TMS signal is bidirectional.
 TMS_DIR used to control direction of level shifter

DIR = H: A -> B
 DIR = L: B -> A

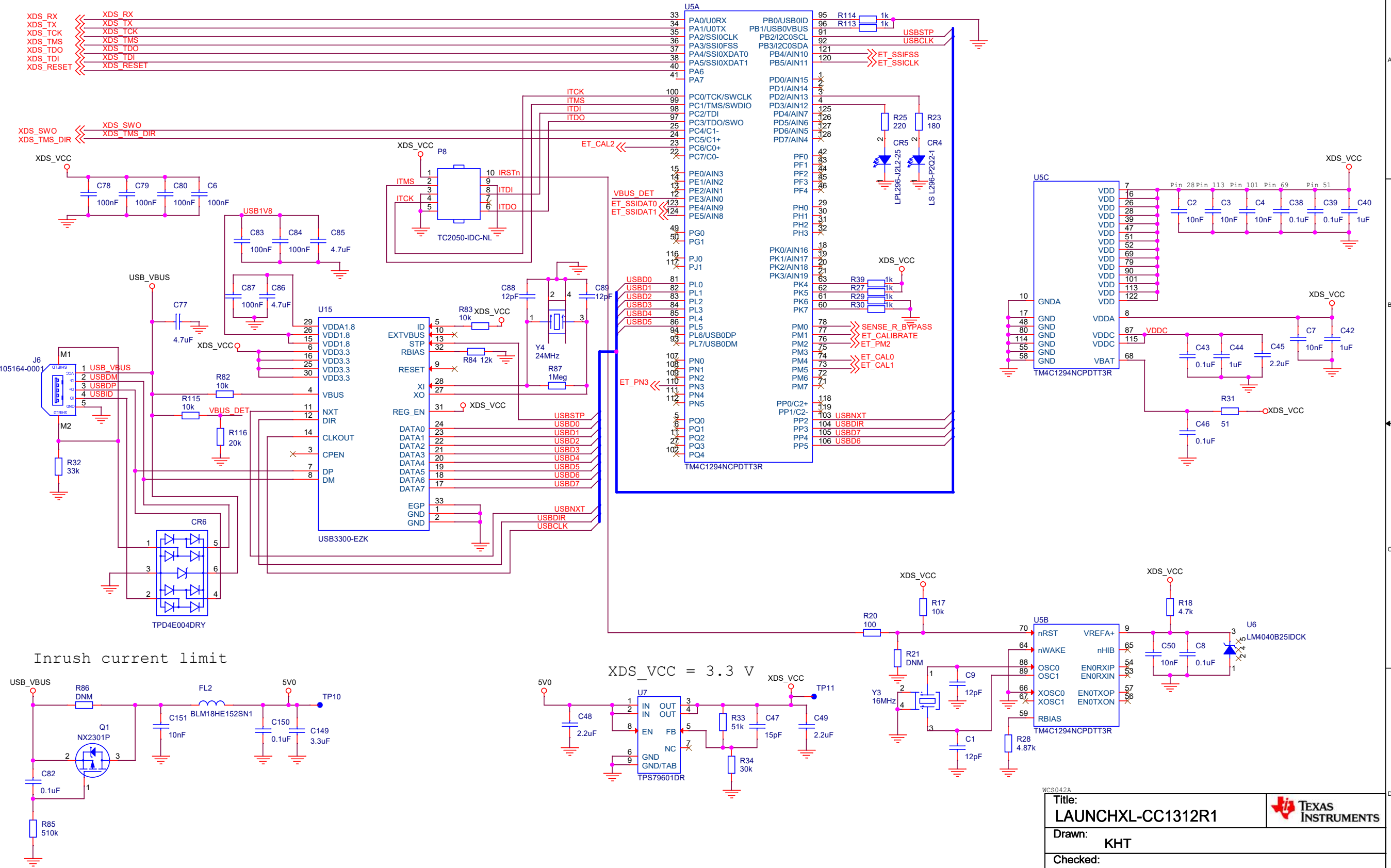
OE = H: output = Hi-Z

Use P5 for debugging the wireless MCU with an external debugger (requires that all jumpers be removed)

Use P7 for debugging external targets (requires that all jumpers be removed)

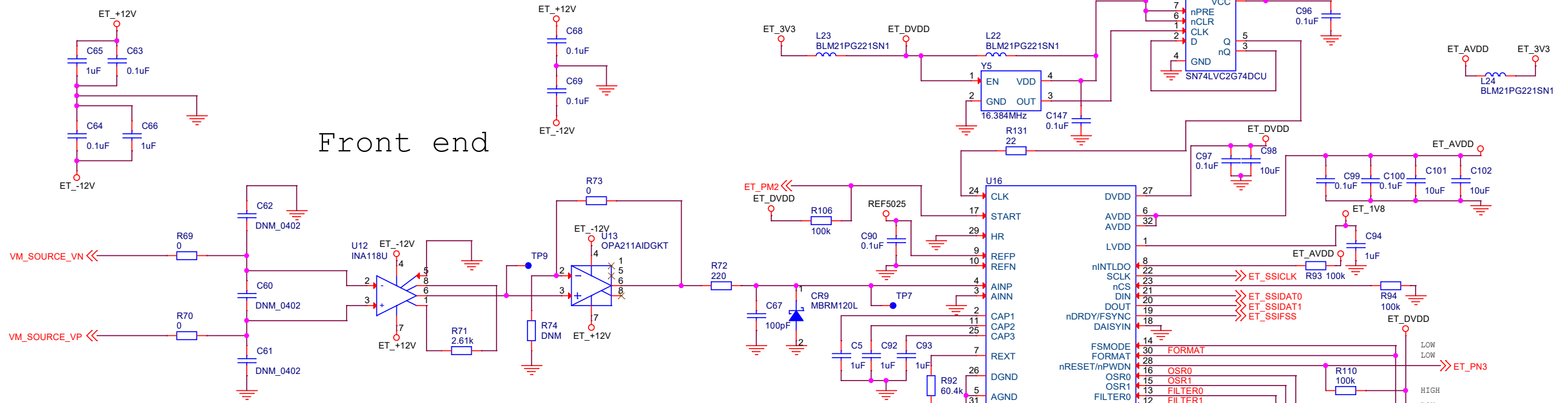
Title: LAUNCHXL-CC1312R1		TEXAS INSTRUMENTS	
Drawn: KHT		Checked:	
Size: A3	Rev: A	Sheet: 3 of 7	
Date: Friday, October 20, 2017			

XDS110 Debugger

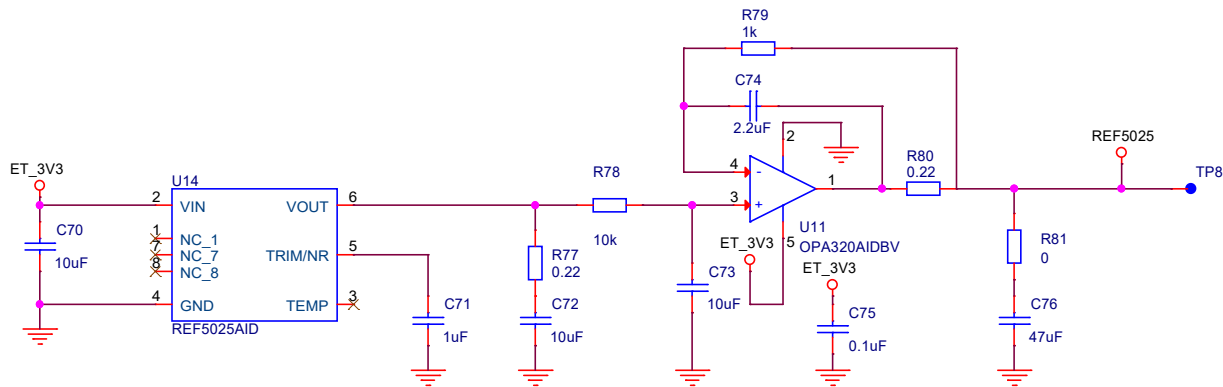


Title: LAUNCHXL-CC1312R1		
Drawn: KHT		
Checked:		
Size: A3	Rev: A	Sheet: 4 of 7
Date: Friday, October 20, 2017		

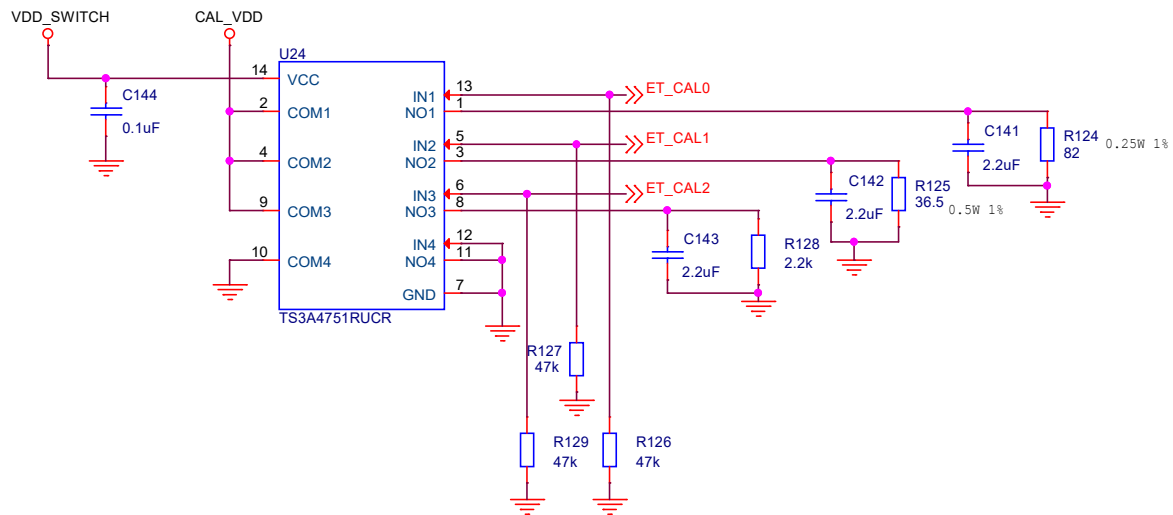
Front end



Voltage reference

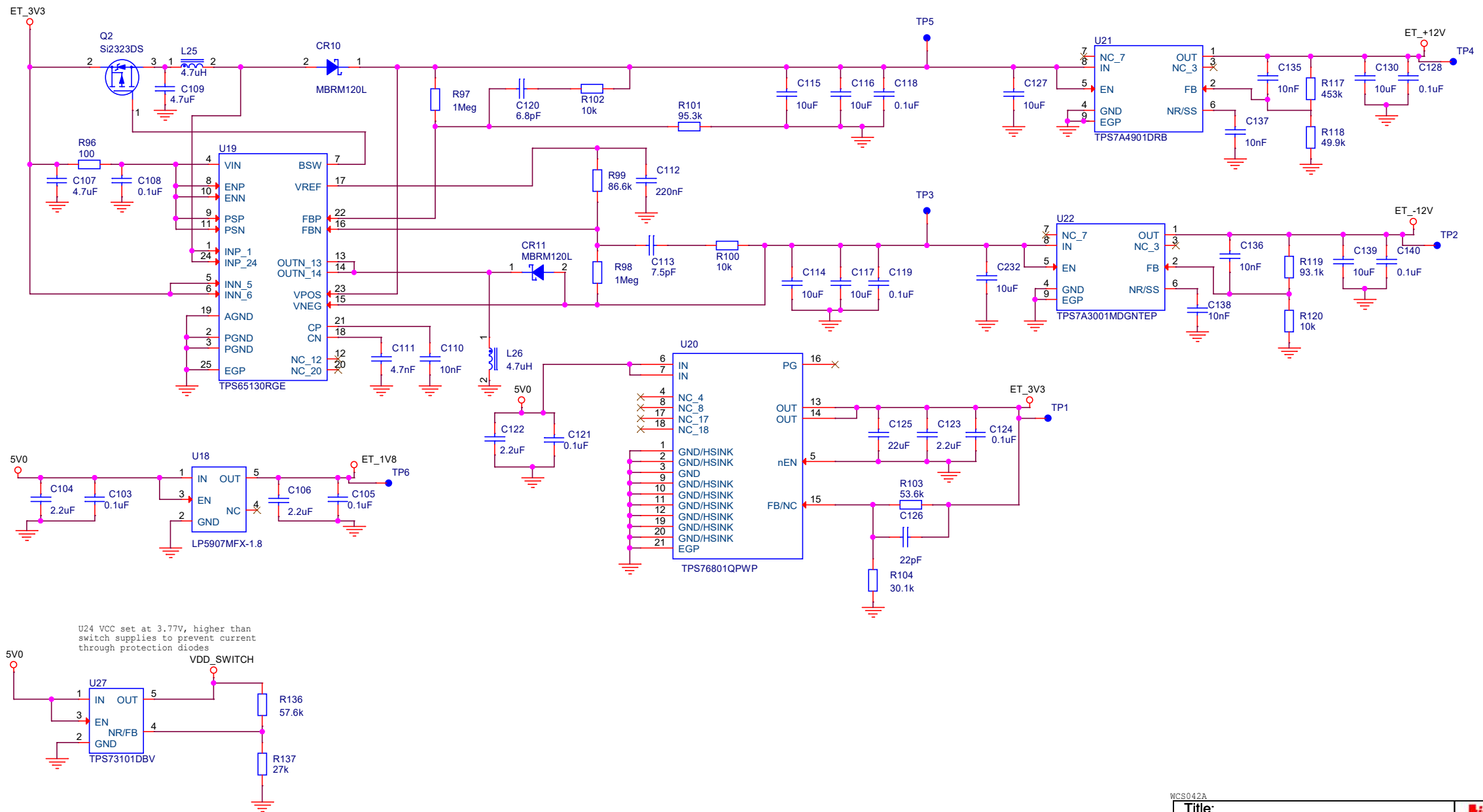


Calibration



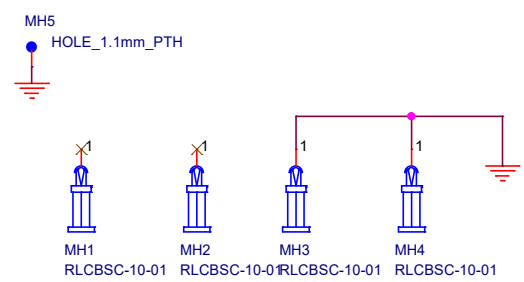
Title: LAUNCHXL-CC1312R1		TEXAS INSTRUMENTS	
Drawn: KHT		Checked:	
Size: A3	Rev: A	Sheet: 5	of 7
Date: Friday, October 20, 2017			

EnergyTrace Power Supply



Title: LAUNCHXL-CC1312R1		 TEXAS INSTRUMENTS
Drawn: KHT		
Checked:		
Size: A3	Rev: A	Sheet: 6 of 7
Date: Friday, October 20, 2017		

Mechanical



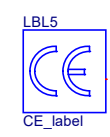
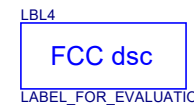
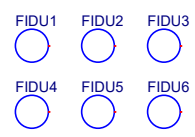
Jumpers to be mounted
on header P4



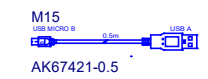
Jumper to be mounted on P10



Jumpers to be mounted on P6



USB cable, to be put in box



Title: LAUNCHXL-CC1312R1		 TEXAS INSTRUMENTS
Drawn: PM		
Checked:		
Size: A3	Rev: A	Sheet: 7 of 7
Date: Friday, October 20, 2017		