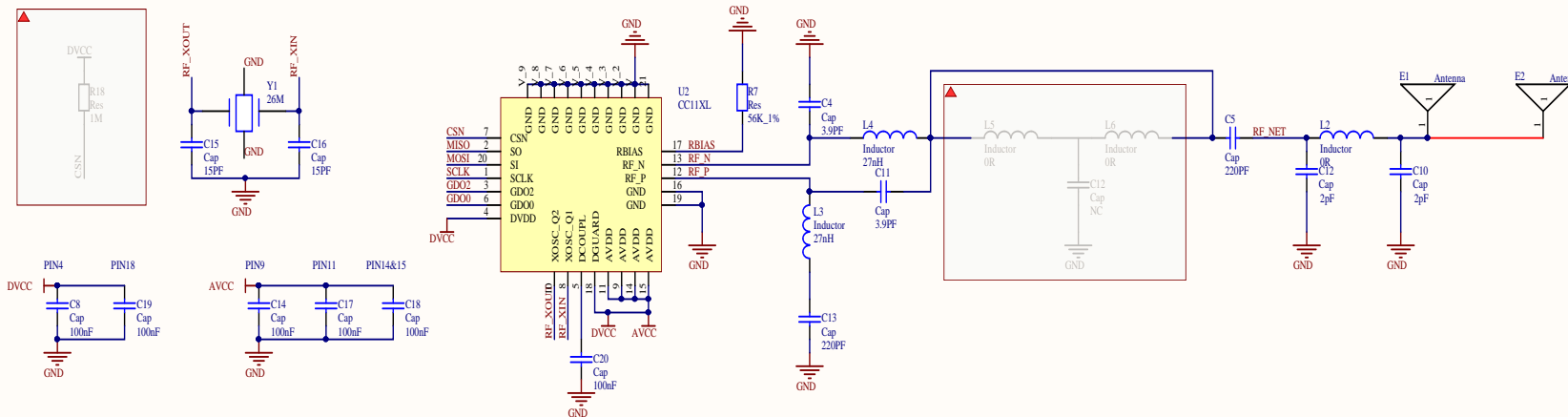


RF_CC115L



Title		
Size	Number	Revision
A3		
Date:	2020/12/4	Sheet of
File:	Z:\研发部 \ \WRM800.SchDoc	Drawn By:

Comment	Description	Designator	Footprint	LibRef	Manufacturer	PartNumber	Quantity	Value
Cap	Capacitor	C1, C3, C6, C8, C9, C14, C17, C18, C19, C20	0402C_L	Cap	samsung	CL05C104JB5NN NC	10	100nF
Cap	Capacitor	C4, C11	0402C_L	Cap	samsung	CL05C3R9JB5NN NC	2	3.9PF
Cap	Capacitor	C5, C13	0402C_L	Cap	samsung	CL05C221JB5NN NC	2	220PF
Cap	Capacitor	C7	0402C_L	Cap	samsung	CL05C684JB5NN NC	1	1uF
Cap	Capacitor	C10, C12	0402C_L	Cap	samsung	CL05C2R0JB5NN NC	2	2pF
Cap	Capacitor	C15, C16	0402C_L	Cap	samsung	CL05C150JB5NN NC	2	15PF
Antenna	IPEX 天线座	E1	IPEX	ANT			1	
Antenna	线绕天线, 80mm 单股硬线	E2	ANT_HOLE	ANT			1	
HDR-1X9	9P 接插件	JP1	HDR- 1X9_90	Header 9			1	
Inductor	贴片电阻	L2	0402L_L	Inductor	murata		1	0R
Inductor	Inductor , 贴片层叠电感 , Inductor, 贴片 层叠电感	L3, L4	0402L_L	Inductor	murata	LQG15HS27NJ02	2	27nH
Header 4	Header, 4-Pin	P6	HDR1X4_S MD	Header 4			1	
Res	Resistor	R7	0402R_L	Res2	厚声		1	56K_1%
STM8S005K6		U1	LQFP32(7x7)	STM8S005K 6	ST	STM8S005K6	1	
CC11XL	sub-GHz 射频芯片	U2	RTK20_2P4X 2P4	CC11XL	TI	CC113LRGPR	1	
XTAL	四脚无源贴片晶振	Y1	JZ3225	XTAL	TXC Corporation	8H26000056	1	26M