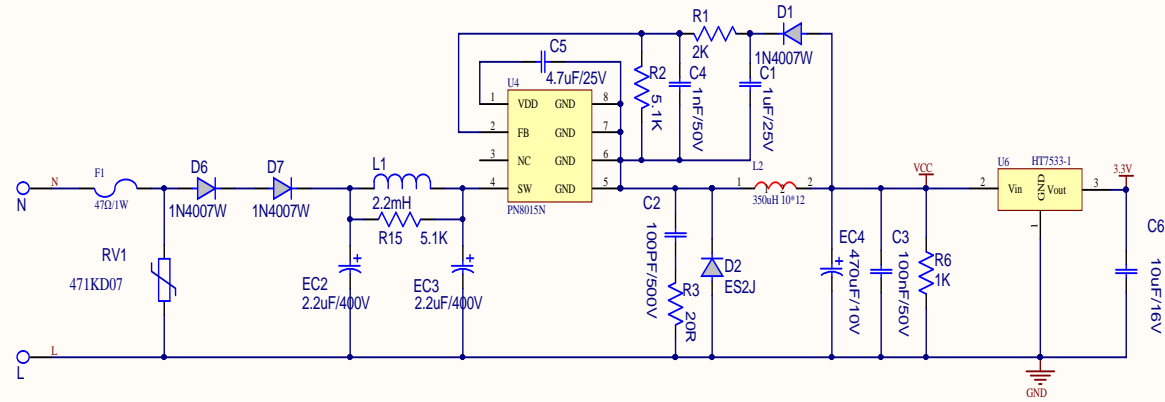
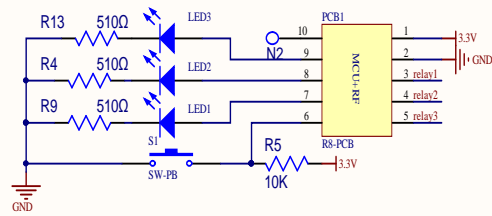


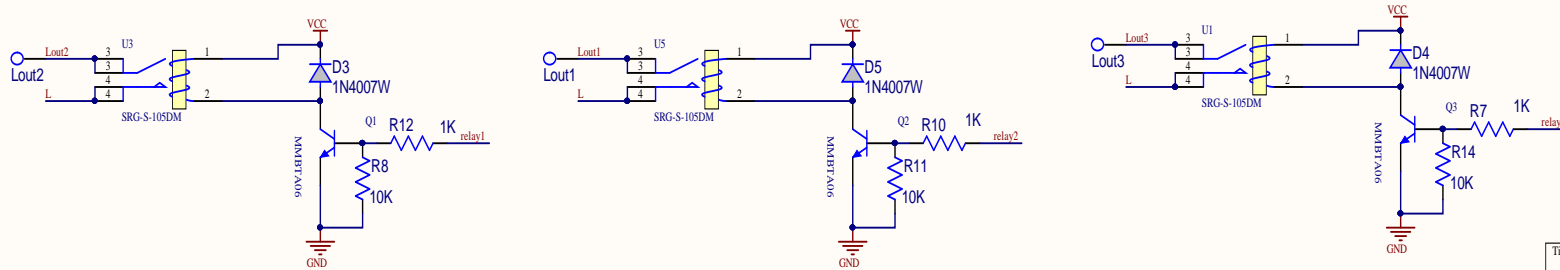
Power



MCU&RF&KEY&LED



Relay



Title		
Size	Number	Revision
A3		
Date:	2020/12/22	Sheet of
File:	Z:\研发部 \R8_V1.1.SchDoc	Drawn By: