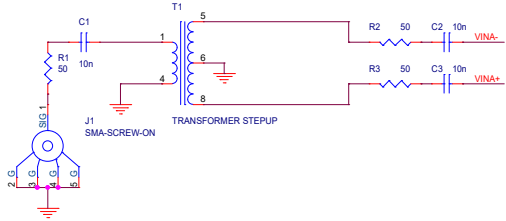
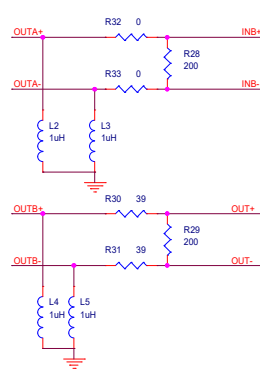
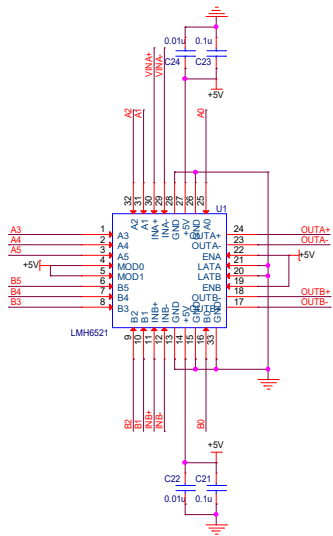
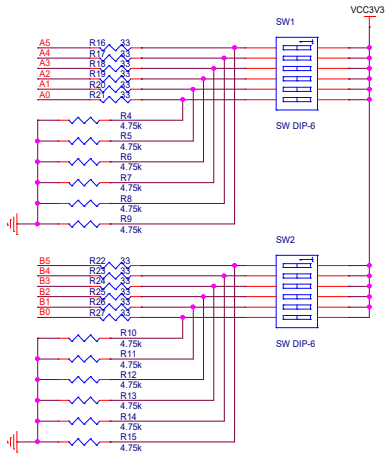
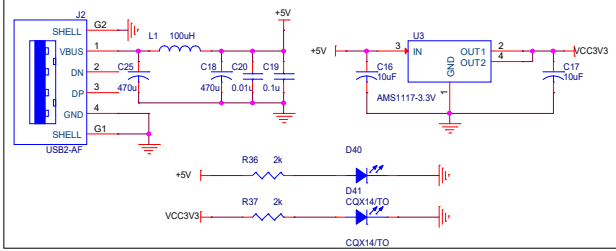


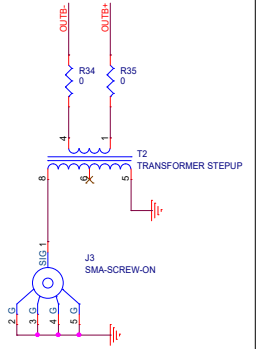
Single to Differential



POWER FOR +5V/3.3V



Differential to Single



Title		<Title>
Size	Document Number	Rev
B	<Doc>	<Rev>
Date:	Friday, July 21, 2023	Sheet 1 of 1