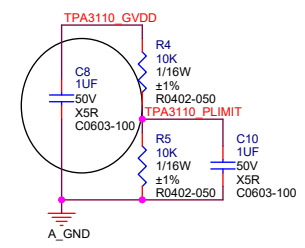
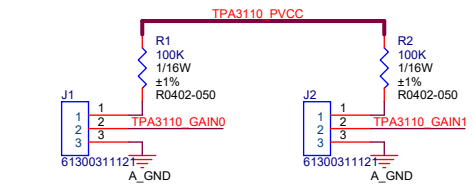
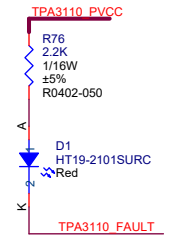
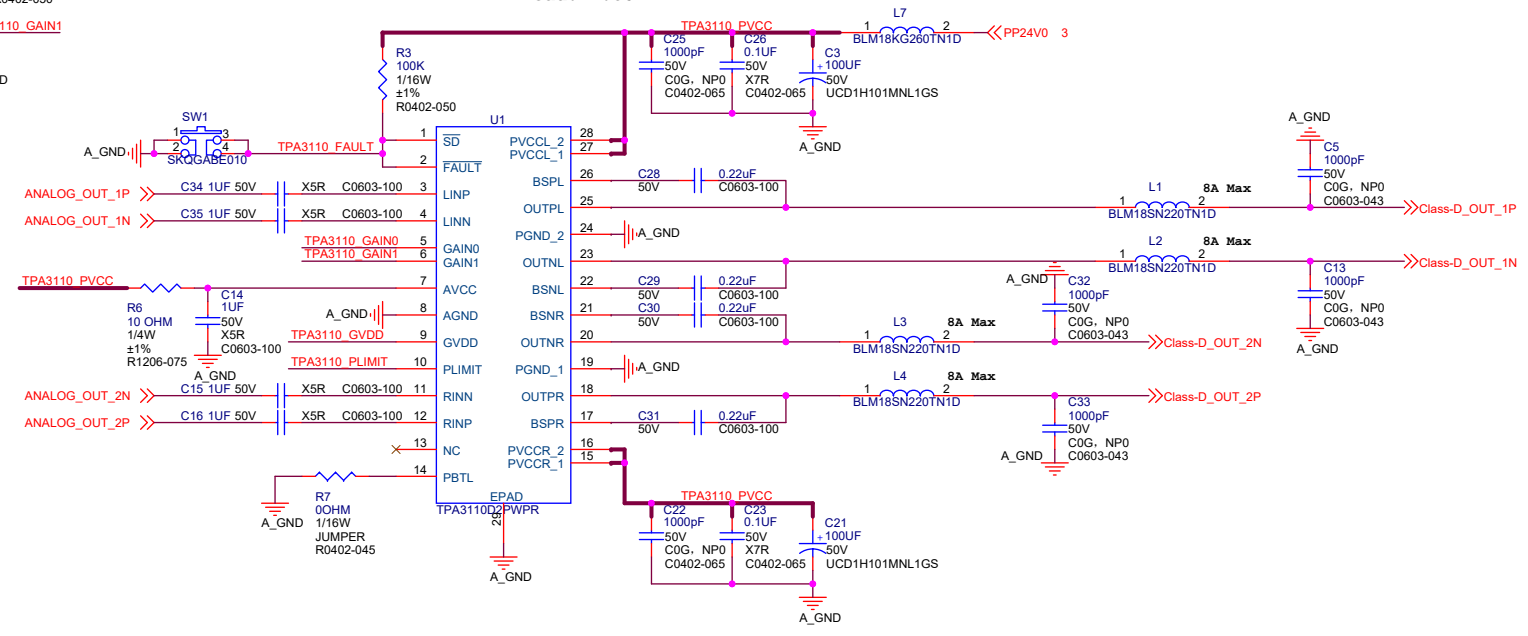


BTL Mode
Min load: 4.8Ohm



1uF cap close to Pin9



Title		
<Title>		
Size	Document Number	Rev
A3	<Doc>	V1
Date:	Tuesday, February 23, 2021	Sheet 3 of 3