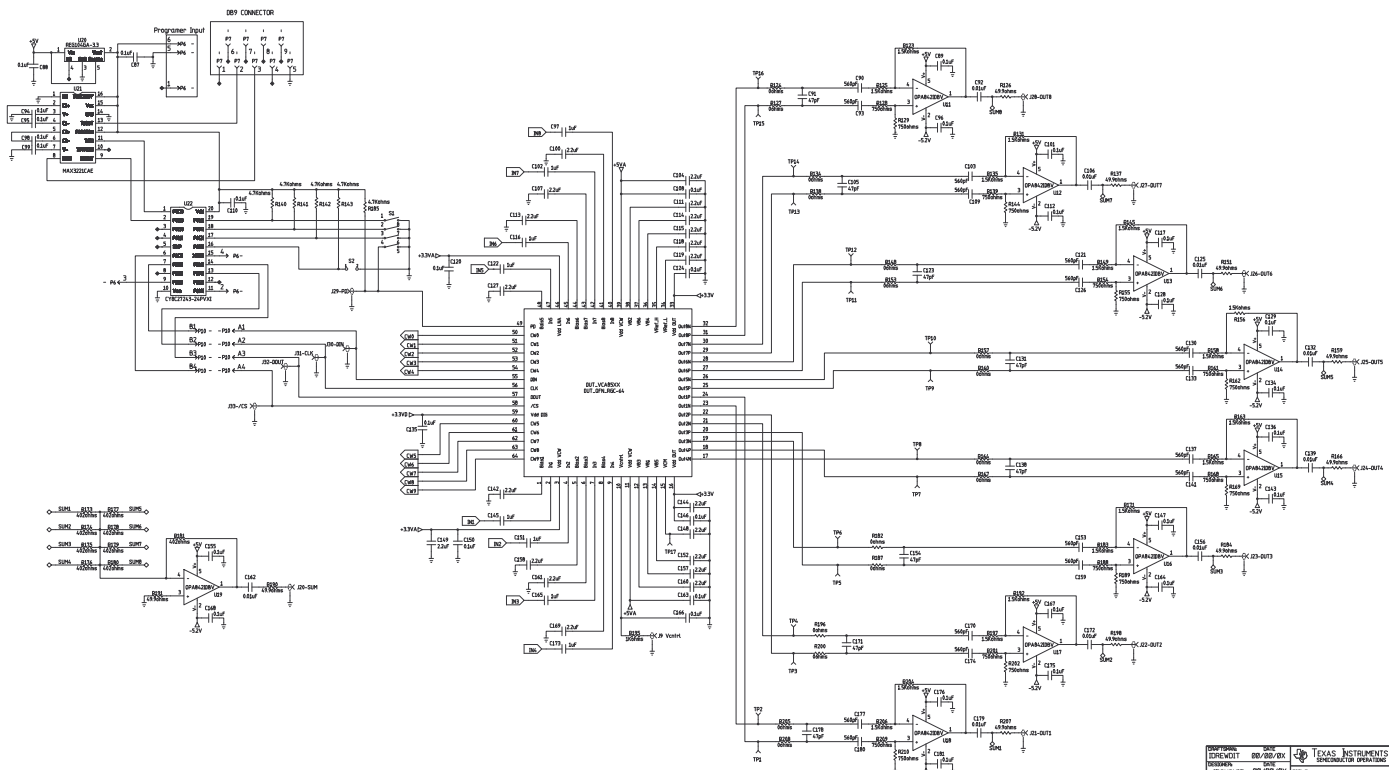


DESIGNED BY	DATE	TEXAS INSTRUMENTS	DATE
FORNOLDT	00/00/00	INSTRUMENTS	01/95
DESIGNED BY	DATE	SCHEMATIC	TITLE
FORNOLDT	00/00/00	VCA55XX Char Board	
DESIGNED BY	DATE	REVISED	
FORNOLDT	00/00/00		
DESIGNED BY	DATE	REVISED	
FORNOLDT	00/00/00		
DESIGNED BY	DATE	REVISED	
FORNOLDT	00/00/00		
DESIGNED BY	DATE	REVISED	
FORNOLDT	00/00/00		

8 7 6 5 4 3 2 1

REV. 000000
EOR XXXXXX, 88/88/8X, 74K



DESIGNED BY: [REDACTED] TEXAS INSTRUMENTS
DRAWN BY: [REDACTED] SCHEDULING OPERATIONS
CHECKED BY: [REDACTED]
REVISED BY: [REDACTED]
DATE: 11/13/01
TITLE: SCHEMATIC, VCA85XX Char Board
DRAWN BY: [REDACTED]
CHECKED BY: [REDACTED]
REVIEWED BY: [REDACTED]
DATE: 11/13/01
N.J. CD85XX