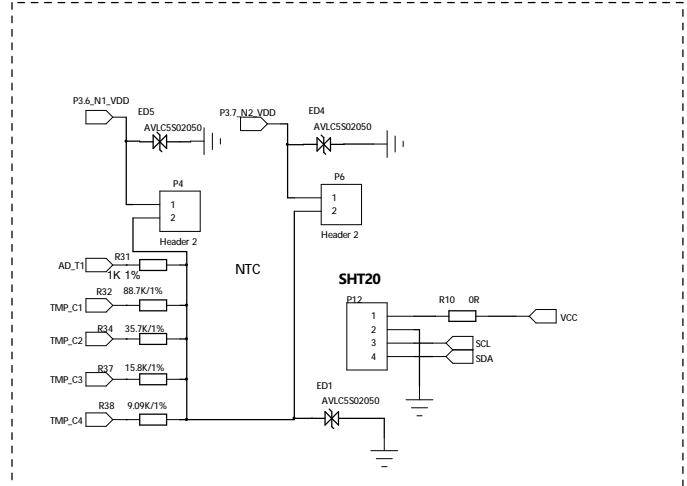
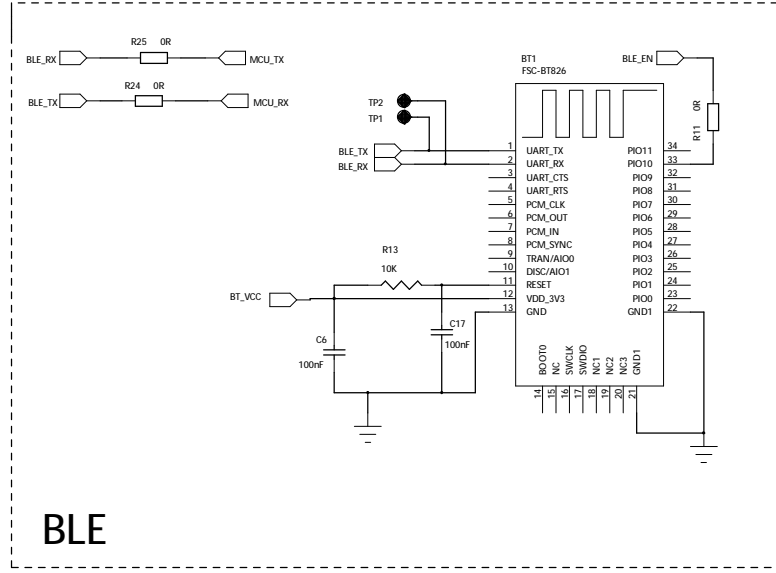
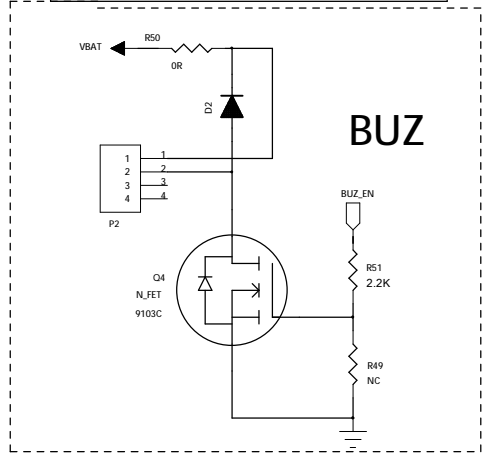
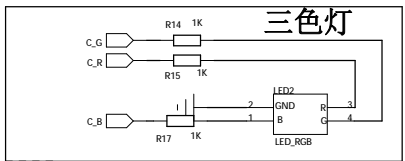
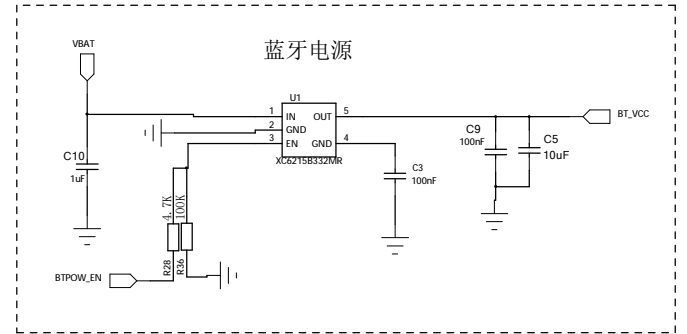
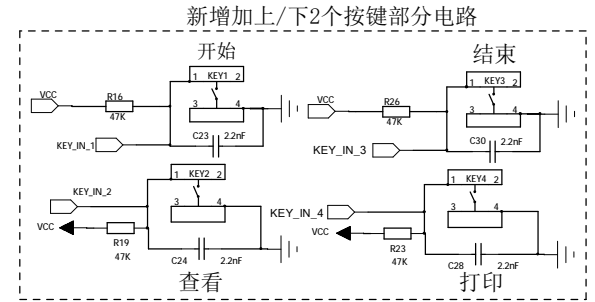
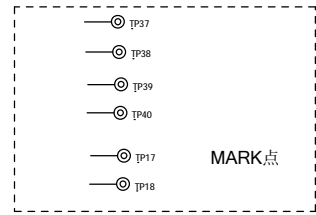
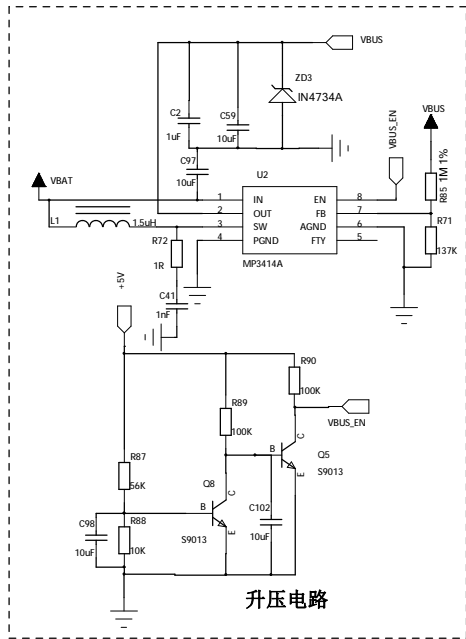
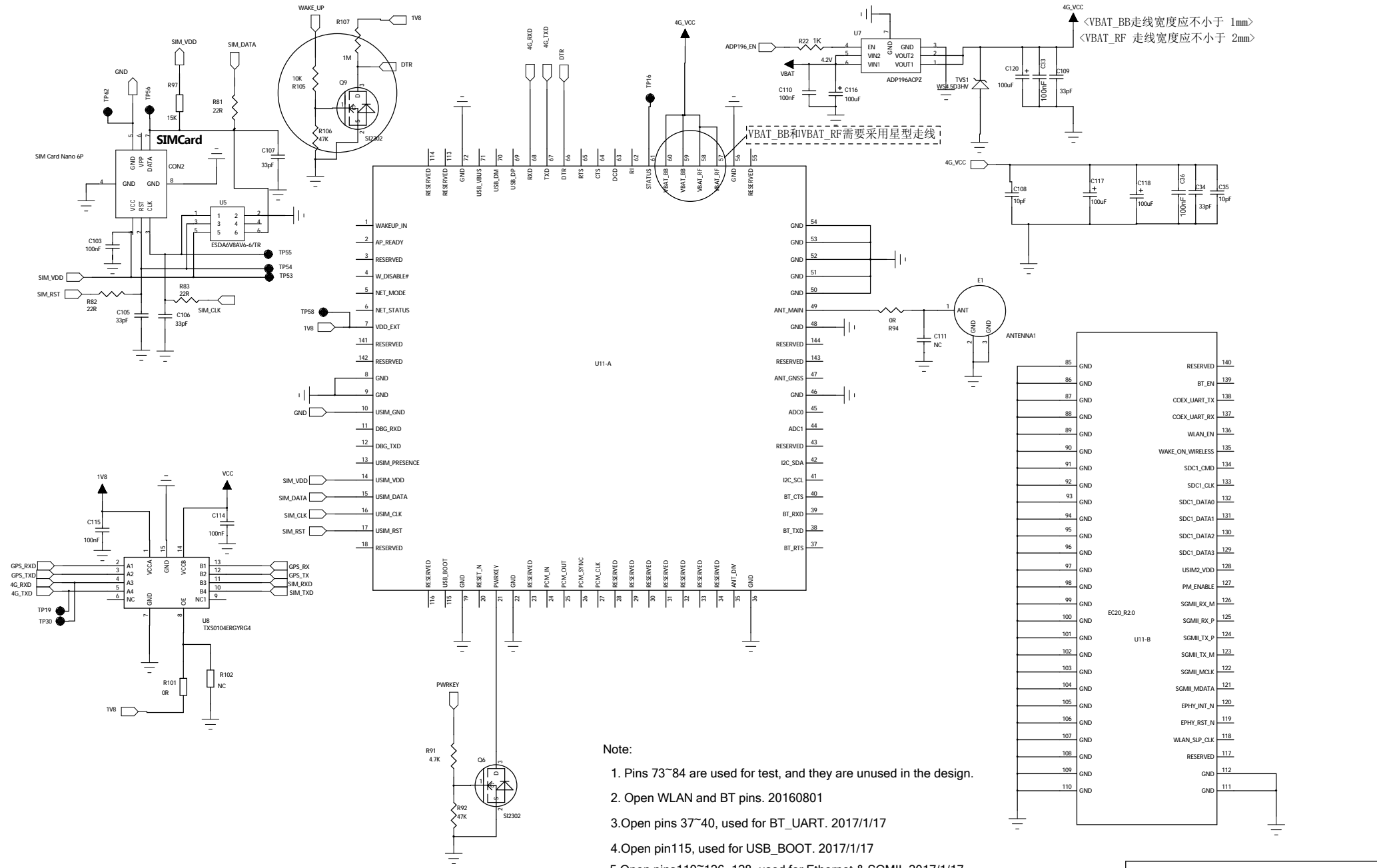


Title		
JZT_CC01		
Size	Number	Revision
		V01
Date:	Sheet of	Drawn By:
File:		



ZKS_JZTCC01_V1
2022-03-08



<VBAT_BB走线宽度应不小于 1mm>
 <VBAT_RF 走线宽度应不小于 2mm>

VBAT BB和VBAT RF需要采用星型走线!

- Note:
1. Pins 73~84 are used for test, and they are unused in the design.
 2. Open WLAN and BT pins. 20160801
 3. Open pins 37~40, used for BT_UART. 2017/1/17
 4. Open pin 115, used for USB_BOOT. 2017/1/17
 5. Open pins 119~126, 128, used for Ethernet & SGMI. 2017/1/17

			Model: ZKS-JZTCC01-4G V1	
			Document Number:	
01	MON, January 15, 2007		DRAWN BY	APPROVED BY
Rev.	Date	Description		
			SHEET 1 OF 1	