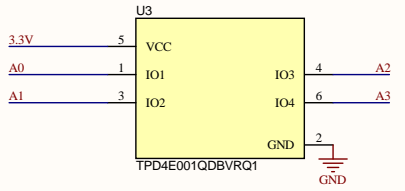
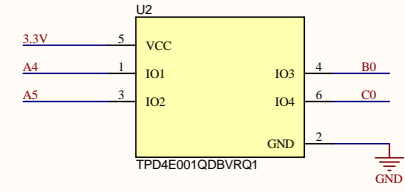
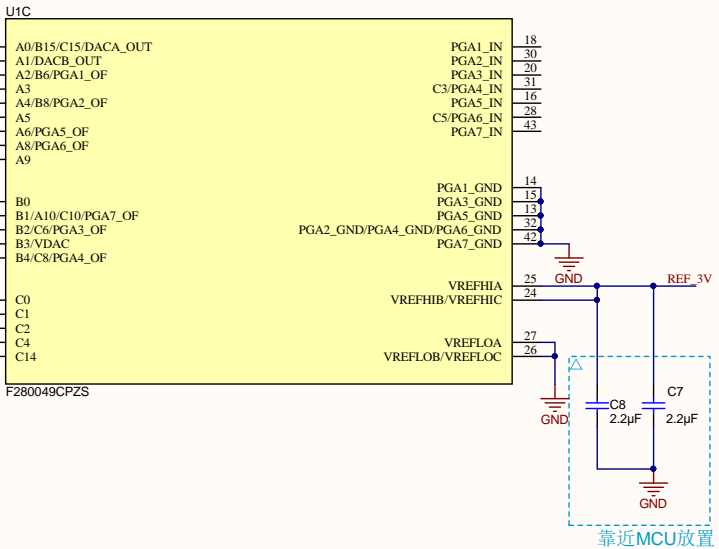
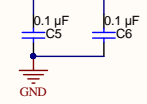
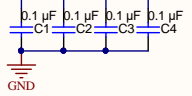
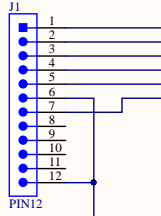
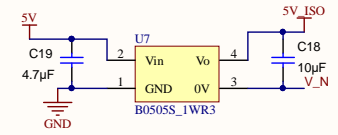
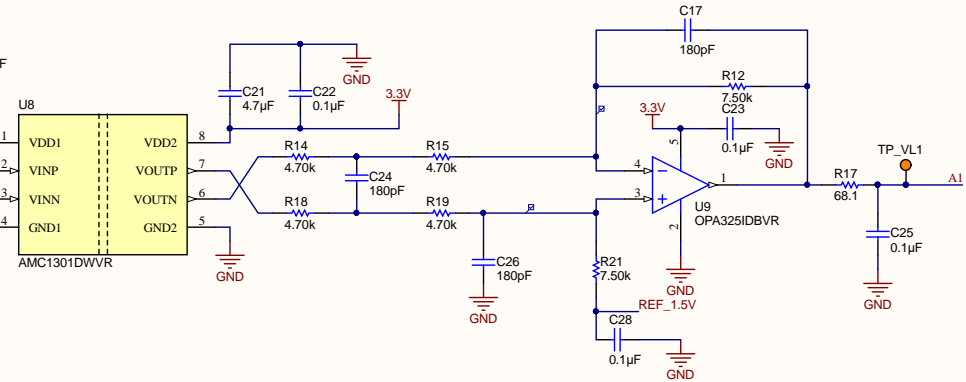
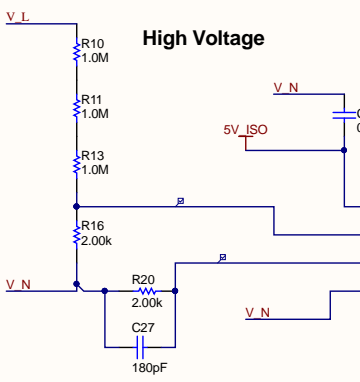
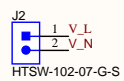
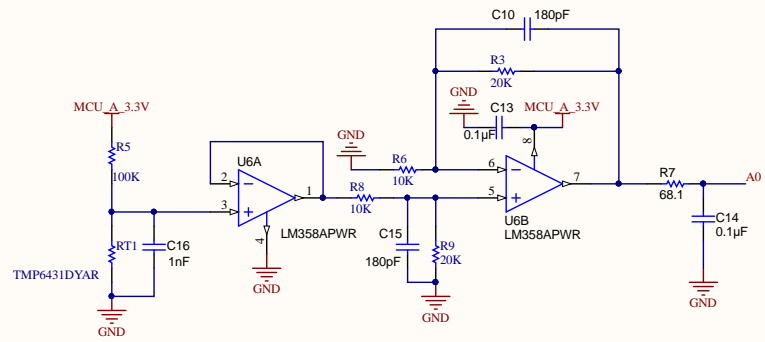
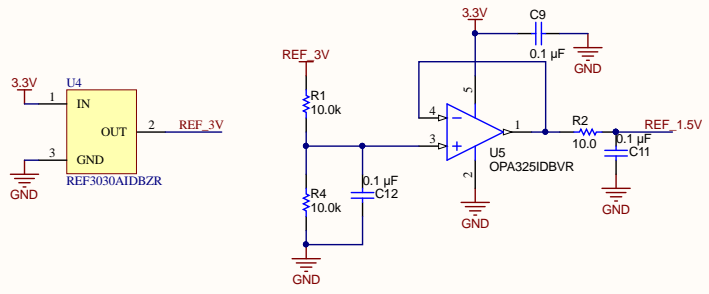


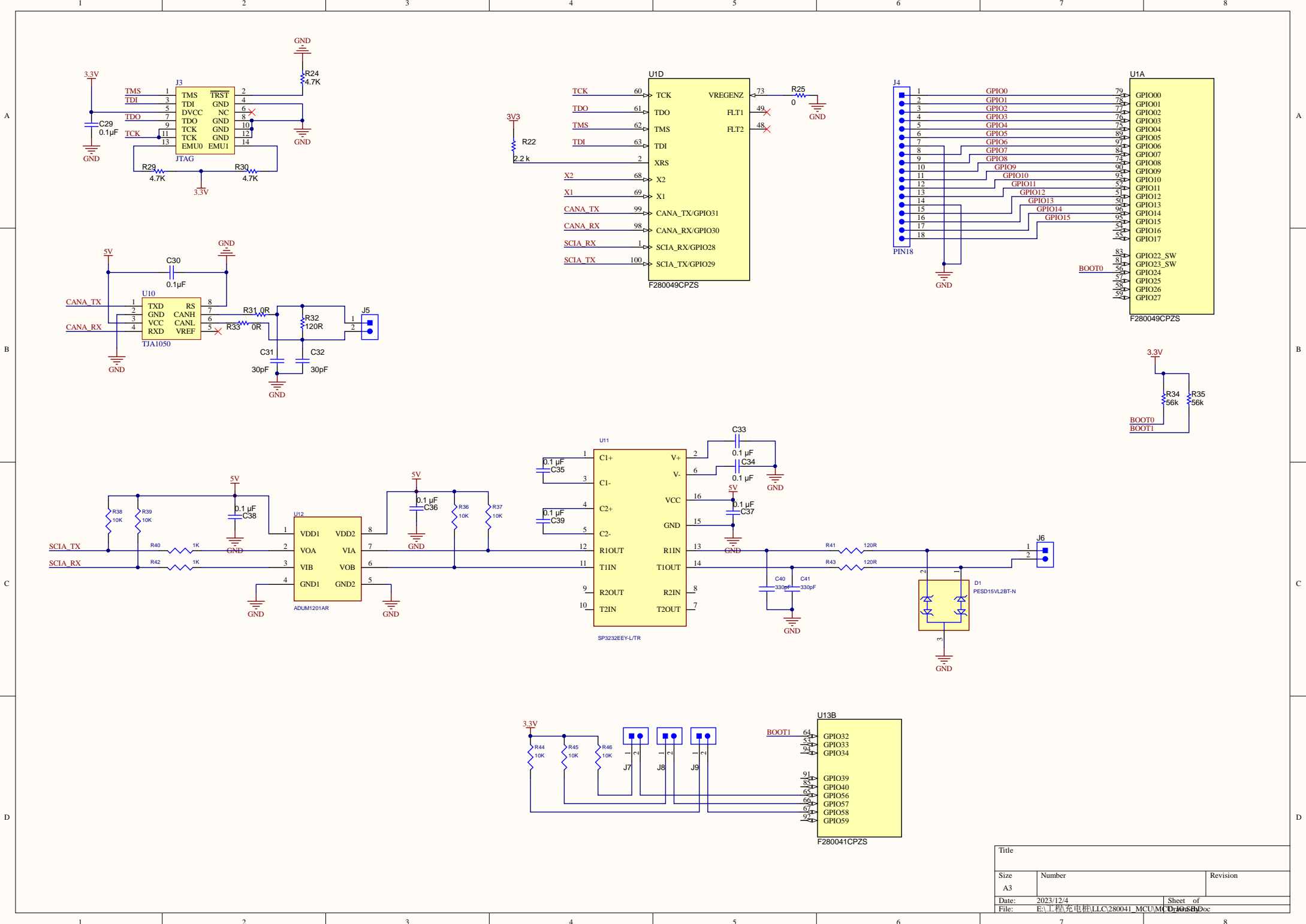
接杜邦线的直针，放置在板子边缘



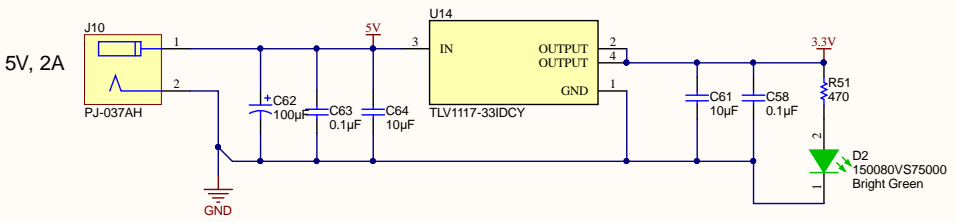
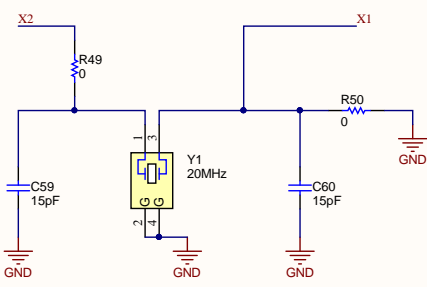
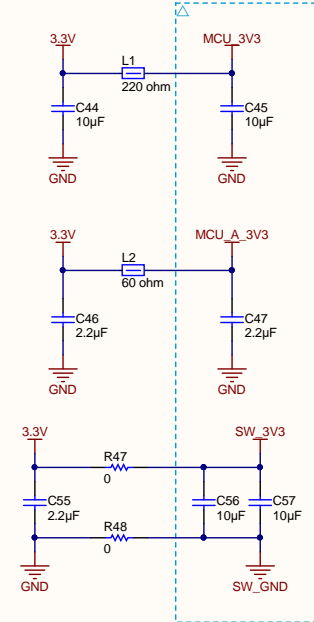
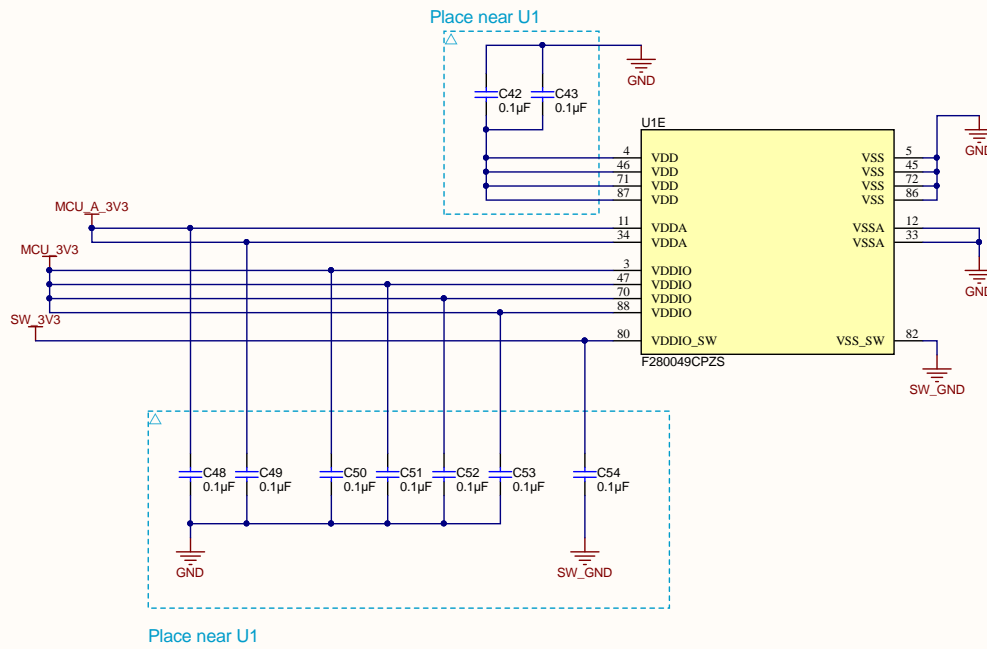
靠近MCU放置



Title		
Size	Number	Revision
A3		
Date:	2023/12/4	Sheet of
File:	E:\工程\充电桩\LLC\280041 MCU\MCU\Drawings\schDoc	



Title		
Size	Number	Revision
A3		
Date:	2023/12/4	Sheet of
File:	电子工程电路LLC280041 MCU/MCU	1/1



Title		
Size	Number	Revision
A3		
Date:	2023/12/4	Sheet of
File:	E:\1.工程\MCU_Power.SchDoc	Drawn By: