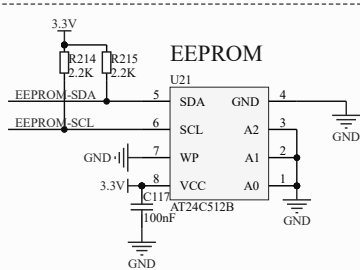
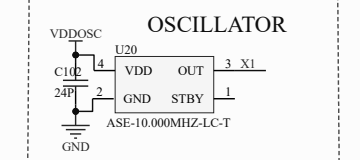
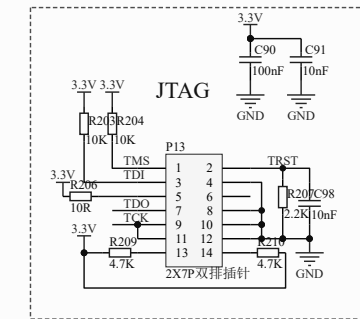
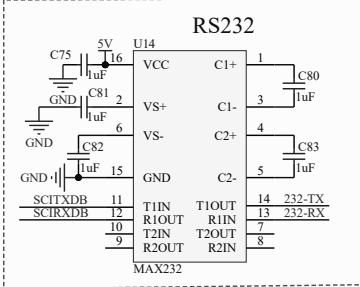
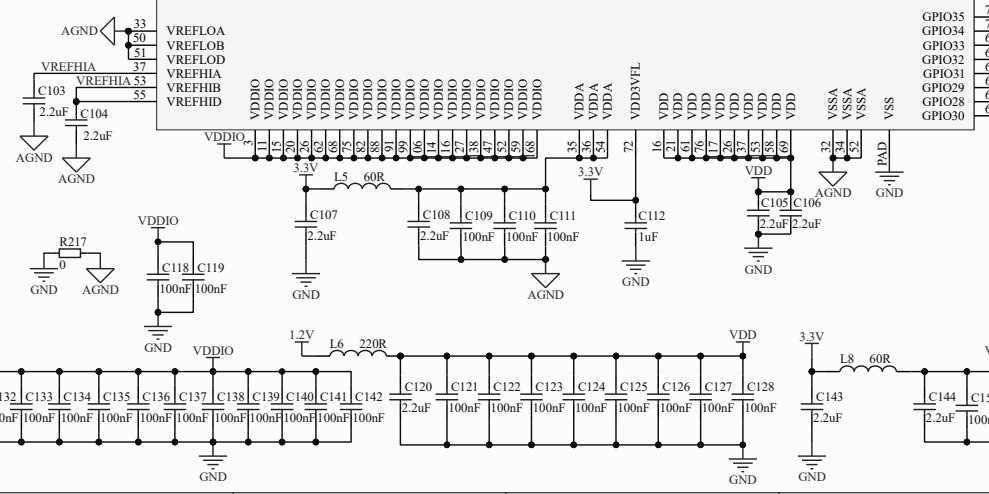


Pin	Function	Pin	Function
1	SETCUR-PWM	176	GPIO94
2	UART TX-485	175	GPIO95
3	UART RX-485	174	FAN2-FAULT
4	UART TR-485	173	GPIO92
5		172	FAN2-SW
6		171	GPIO90
7		170	FAN2-0
8		169	GPIO88
9		167	FAN1-FAULT
10	CANRXA	166	FAN1-SW
11	CANTXA	165	GPIO87
12		164	BAT12V-SW
13		163	GPIO82
14		162	BAT12V-SW
15		161	GPIO81
16		160	SDAA
17		157	BAT12V-BELAY
18		156	GPIO86
19		155	LED-FAULT
20		154	GPIO85
21		153	LED-P3
22	SCITXDB	151	LED-P1-G3
23	SCRXDB	150	LED-P1-G2
24		149	LED-P1-G1
25		148	MAIN-COMPUTER-SW-MON
26		147	INVERTER-SW-MON
27		146	INVERTER-SW-MON
28		144	SWITCH-12V-1
29		143	SWITCH-12V-2
30		142	SWITCH-12V-3
31		141	SWITCH-BUTTON
32		139	SPSTEC
33		136	GPIO136
34		135	GPIO135
35		134	GPIO134
36		133	GPIO133
37		132	GPIO132
38		131	GPIO131
39		130	GPIO130
40		129	GPIO129
41		128	GPIO128
42		125	VDDOSC
43		124	RESETE
44		123	X1
45		122	X2
46		121	X3
47		120	X4
48		119	VDDIO
49		118	LCD-Ctrl
50		115	LCD-DB12
51		113	LCD-DB11
52		112	LCD-DB10
53		111	LCD-DB9
54		110	LCD-DB8
55		109	LCD-WR
56		108	LCD-RS
57		107	GPIO107
58		105	GPIO105
59		104	EN-MOTOR
60		103	GPIO103
61		102	GPIO102
62		101	4226GN-1
63		100	EN-48V-MAIN
64		98	FAULT4226-1
65		97	FAULT4226-2
66		96	4226GN-2
67		95	4226GN-3
68		94	FAULT4226-3
69		93	FAULT4226-4
70		92	GPIO92
71		90	POTION3-1-RELAY
72		89	EEPROM-SCL
73		87	EEPROM-SDA
74		86	GPIO86
75		85	LED-54V WALL GREEN
76		84	LED-48V BATTERY YELLOW
77		83	LED-48V BATTERY GREEN
78		81	TCK
79		80	TMS
80		79	TRST
81		78	TDO
82		77	TDI
83		74	FLT2
84		73	FLT1
85		71	LED-12V BATTERY YELLOW
86		70	LED-12V BATTERY GREEN
87		69	SC1-MCU
88		67	SC2-MCU
89		66	GPIO66
90		65	GPIO65
91		64	CH-FAULT
92		63	CH-ON/OFF



Title		
Size	Number	Revision
A3		
Date:	3/29/2021	Sheet of
File:	D:\L\F\U.VTMS320F28076PTPS.SchDoc	Drawn By: