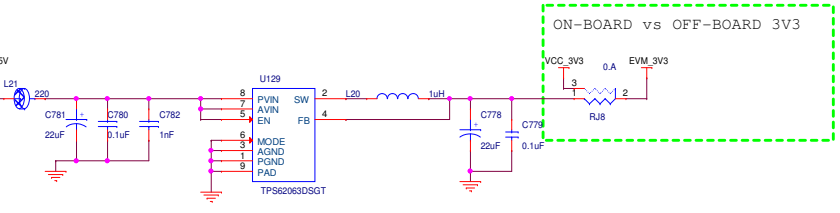
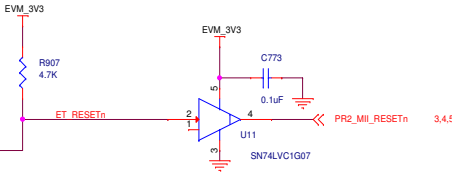
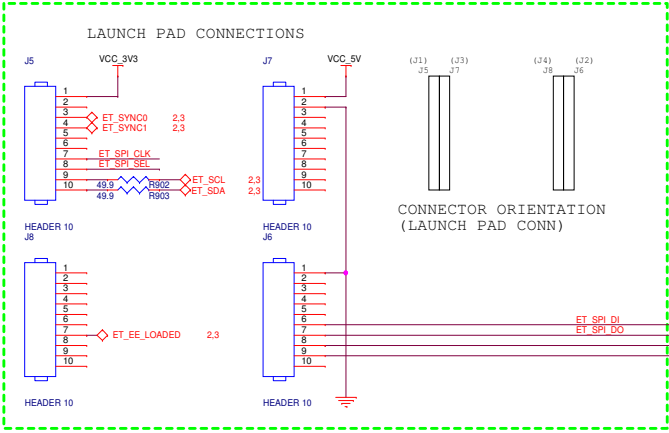
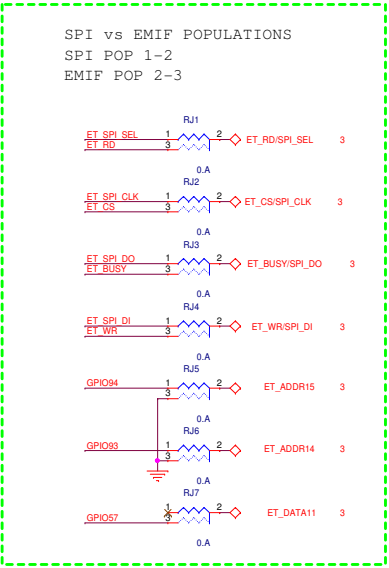
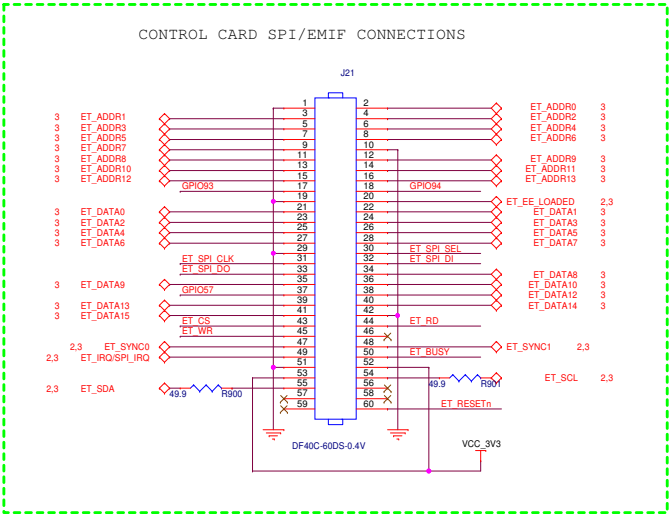


REVISION STATUS OF SHEETS

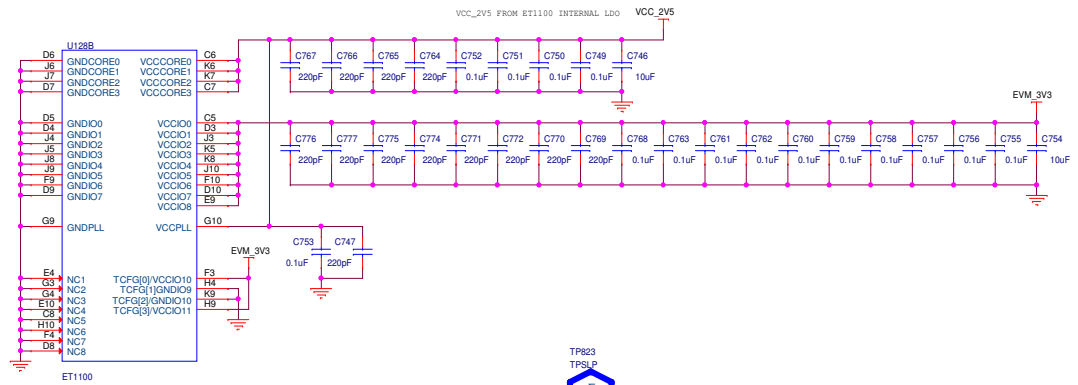
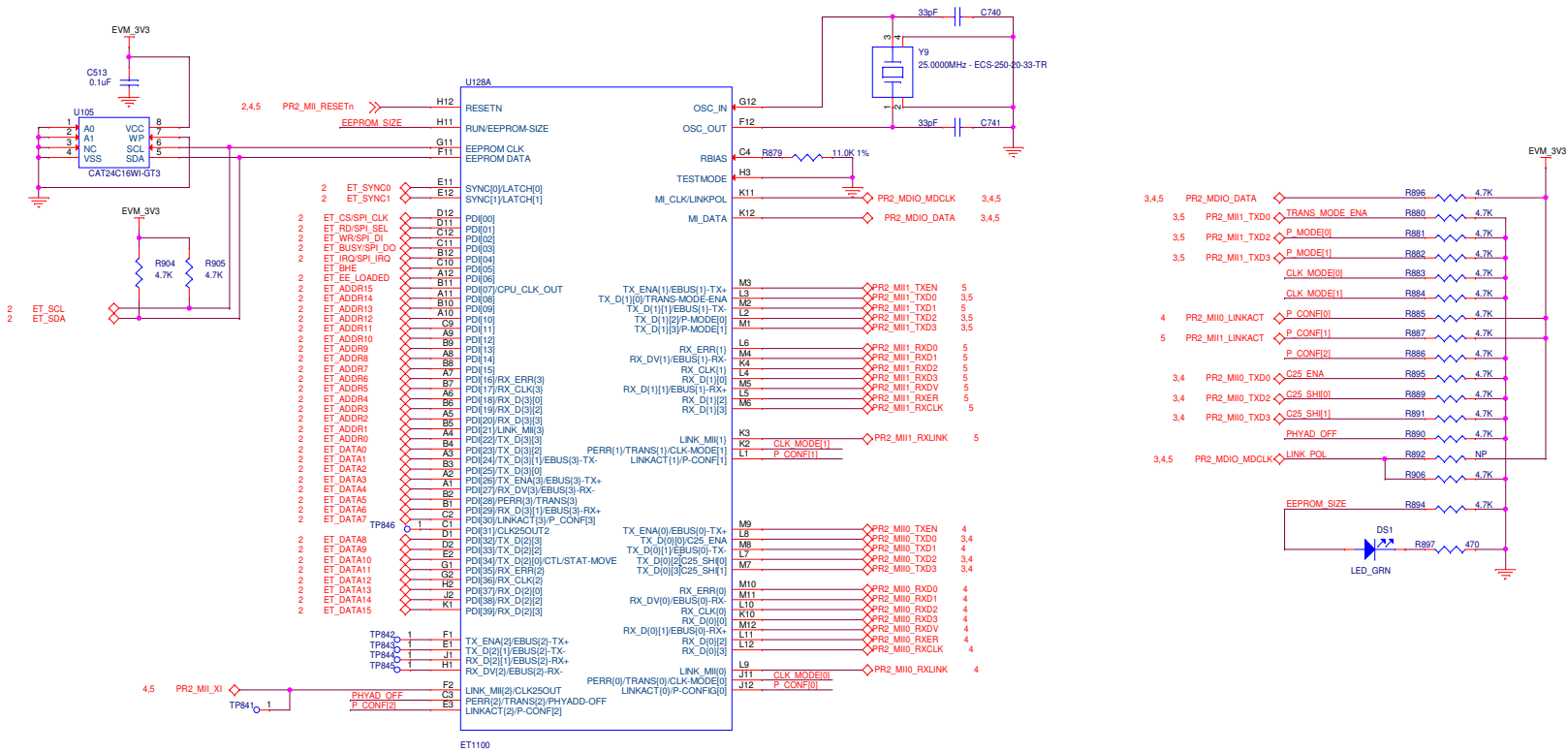
REV	A	A																		

DWN	DATE
J.A.C.	01/20/2014
CHR	DATE
T.W.K.	01/20/2014
ENGR	DATE
J.A.C.	01/20/2014
ENGR-MGR	DATE
B.R.P.	01/20/2014
QA	DATE
C.M.D.	01/20/2014
WFO	DATE
J.A.C.	01/20/2014
ELSE	DATE
J.A.C.	01/20/2014

TEXAS INSTRUMENTS			
Preliminary Information - Subject to change			
Title: F283XX INDUSTRIAL ENET			
Page Contents: TITLE			
Size: C	DOC NO: 51700X	REV: A	
Date: Tuesday, August 04, 2015	Sheet 1	of	5



TEXAS INSTRUMENTS		
Preliminary Information - Subject to change		
Title: F283XX INDUSTRIAL ENET		
Page Contents: TITLE		
Size: C	DOC NO: 51700X	REV: A
Date: Tuesday, August 04, 2015	Sheet 2	of 5



TEXAS INSTRUMENTS

Preliminary Information - Subject to change

Title: F283XX INDUSTRIAL ENET

Page Contents: TITLE

Size: C	DOC NO: 51700X	REV: A
---------	----------------	--------

Date: Tuesday, August 04, 2015 Sheet 3 of 5

