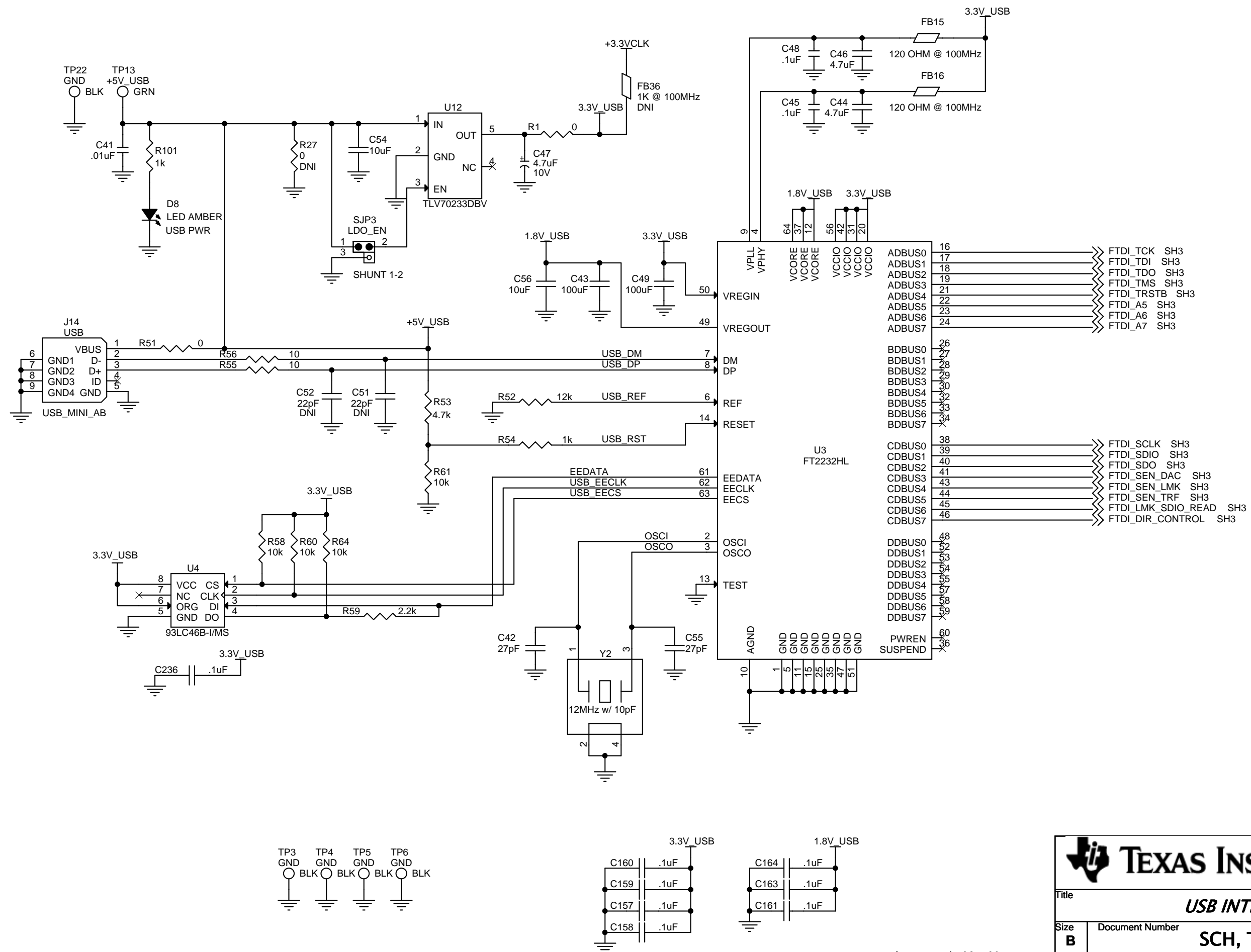
 **TEXAS INSTRUMENTS**

Title: **BLOCK DIAGRAM**

Drawn: JV SMITH 11/15	Size <b>B</b>	Document Number <b>SCH, TSW3080</b>	Rev <b>E2</b>
Engineer: KEN CHAN 11/15	Date: Monday, March 28, 2016	Sheet 1 of 14	



**TEXAS INSTRUMENTS**

Title: **USB INTERFACE**

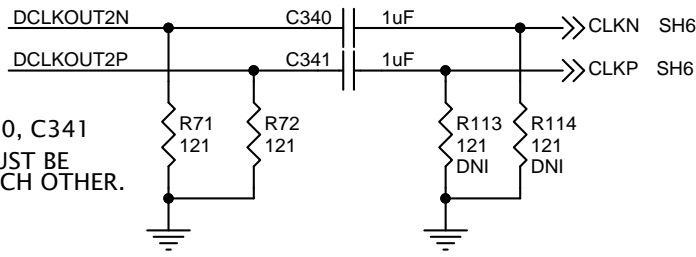
Size **B** Document Number **SCH, TSW3080** Rev **E2**

Date: \_\_\_\_\_ Sheet **2** of **14**

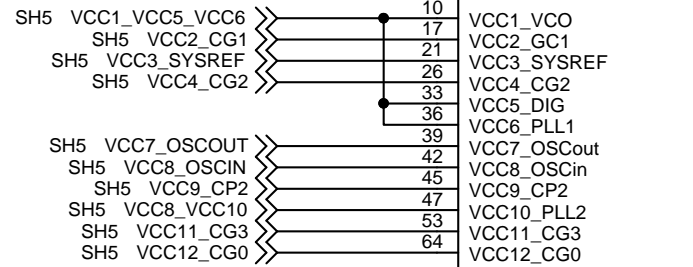
Monday, March 28, 2016



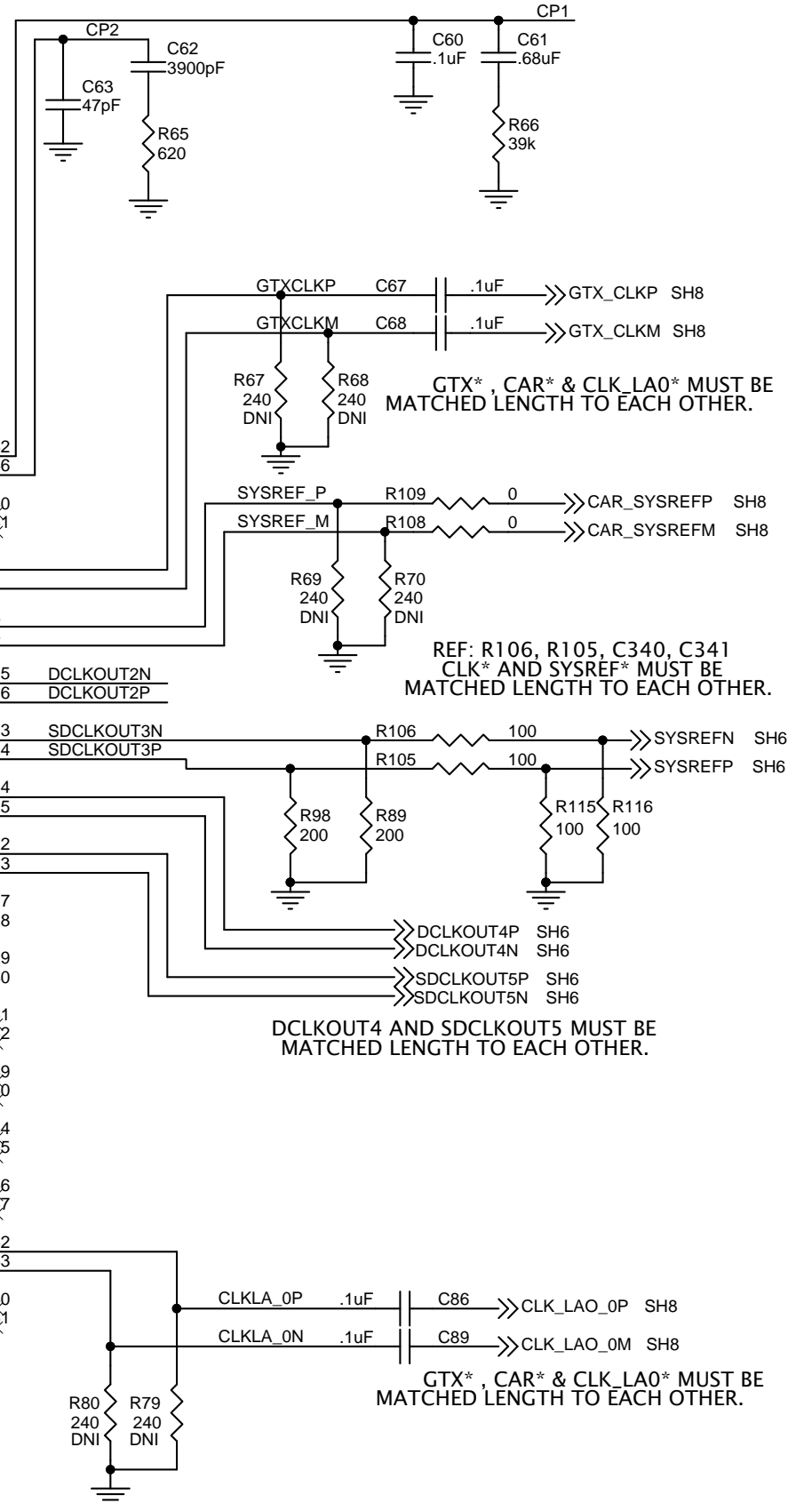
REF: R106, R105, C340, C341  
 CLK\* AND SYSREF\* MUST BE  
 MATCHED LENGTH TO EACH OTHER.



PLACE ALL RESISTORS CLOSE TO LMK

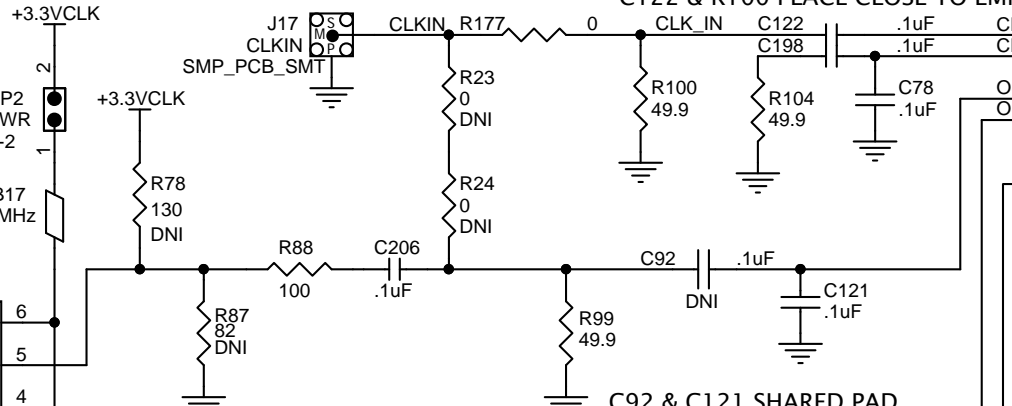


GTX\*, CAR\* & CLK\_LAO\* MUST BE  
 MATCHED LENGTH TO EACH OTHER.

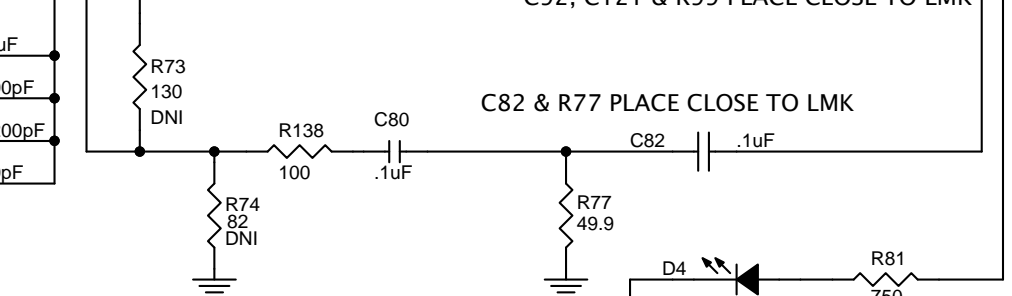


REF: R106, R105, C340, C341  
 CLK\* AND SYSREF\* MUST BE  
 MATCHED LENGTH TO EACH OTHER.

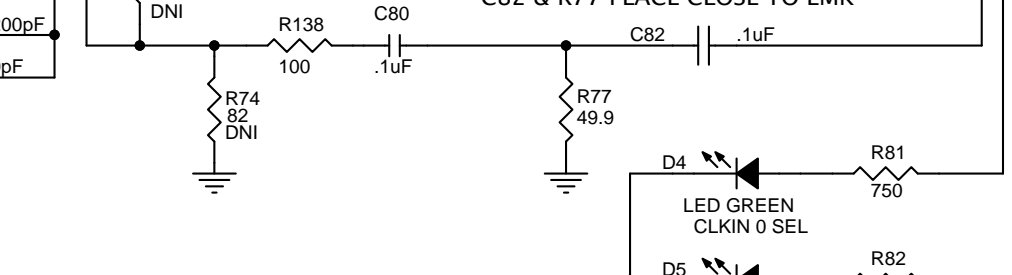
C122 & R100 PLACE CLOSE TO LMK



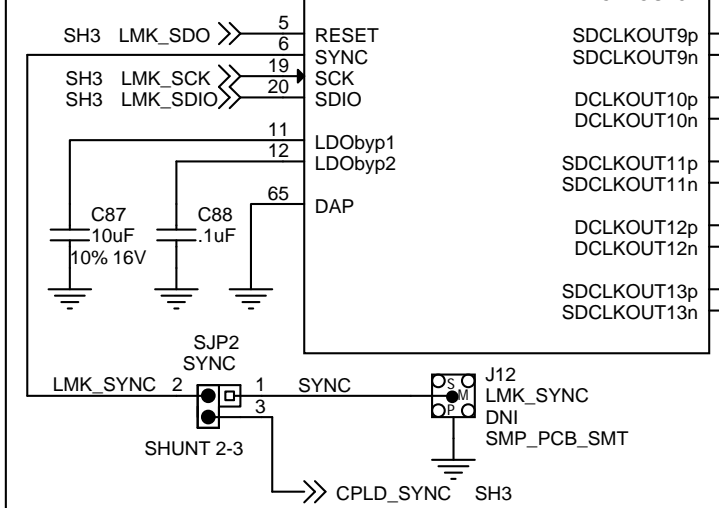
C92, C121 & R99 PLACE CLOSE TO LMK



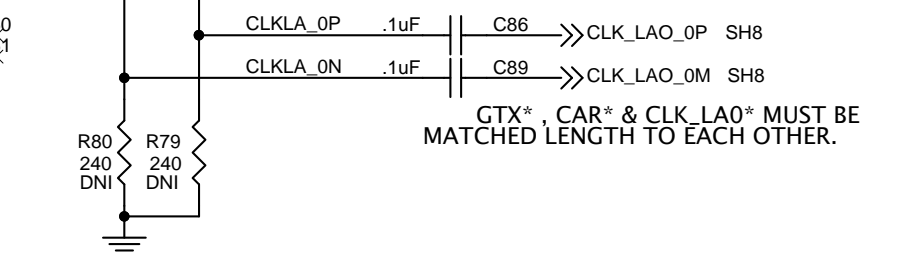
C82 & R77 PLACE CLOSE TO LMK



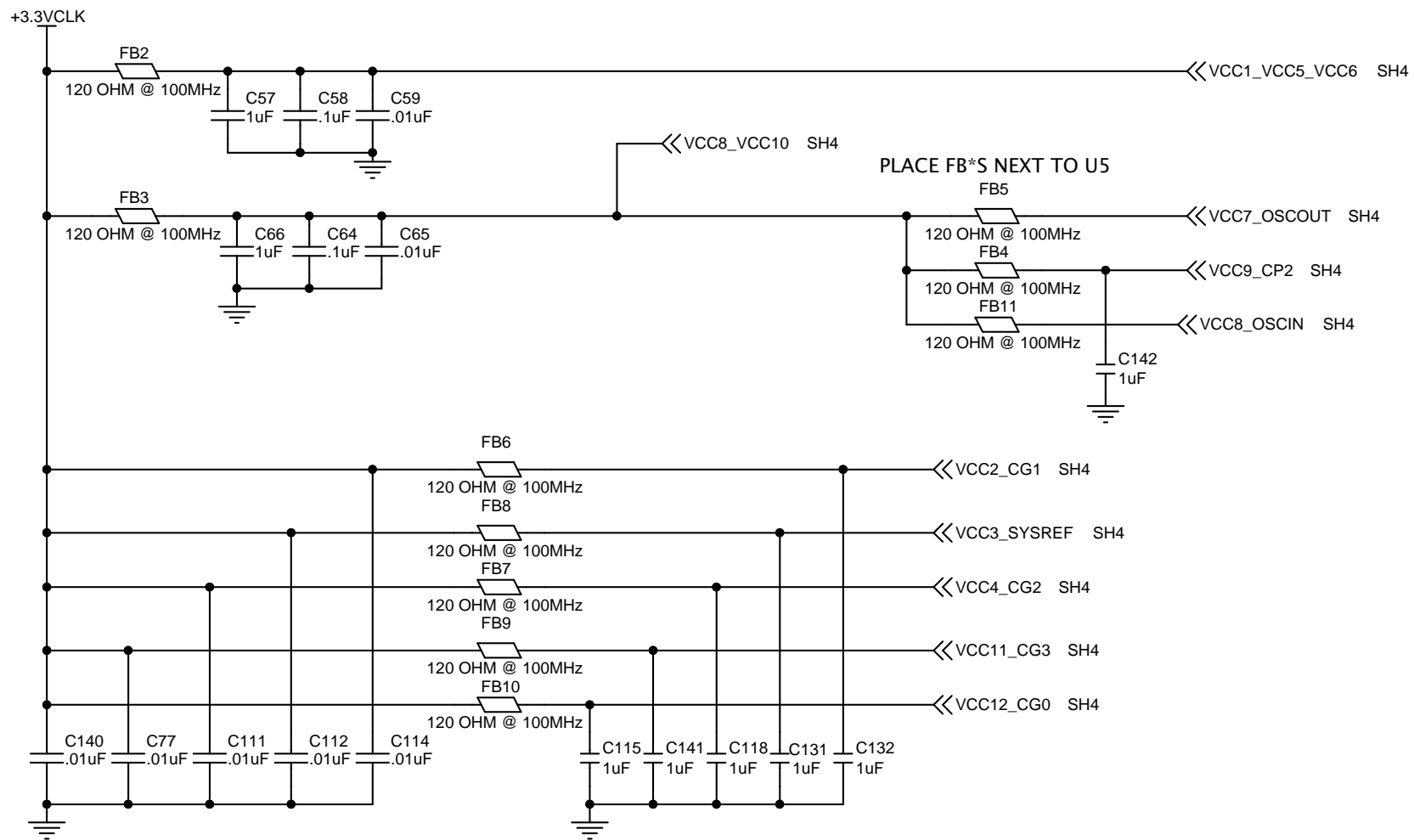
DCLKOUT4 AND SDCLKOUT5 MUST BE  
 MATCHED LENGTH TO EACH OTHER.



GTX\*, CAR\* & CLK\_LAO\* MUST BE  
 MATCHED LENGTH TO EACH OTHER.



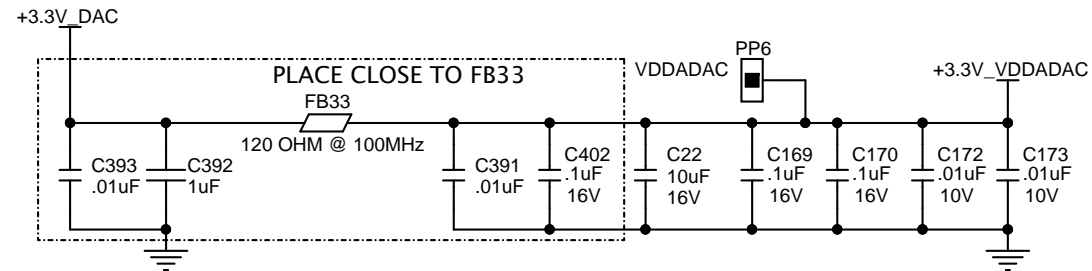
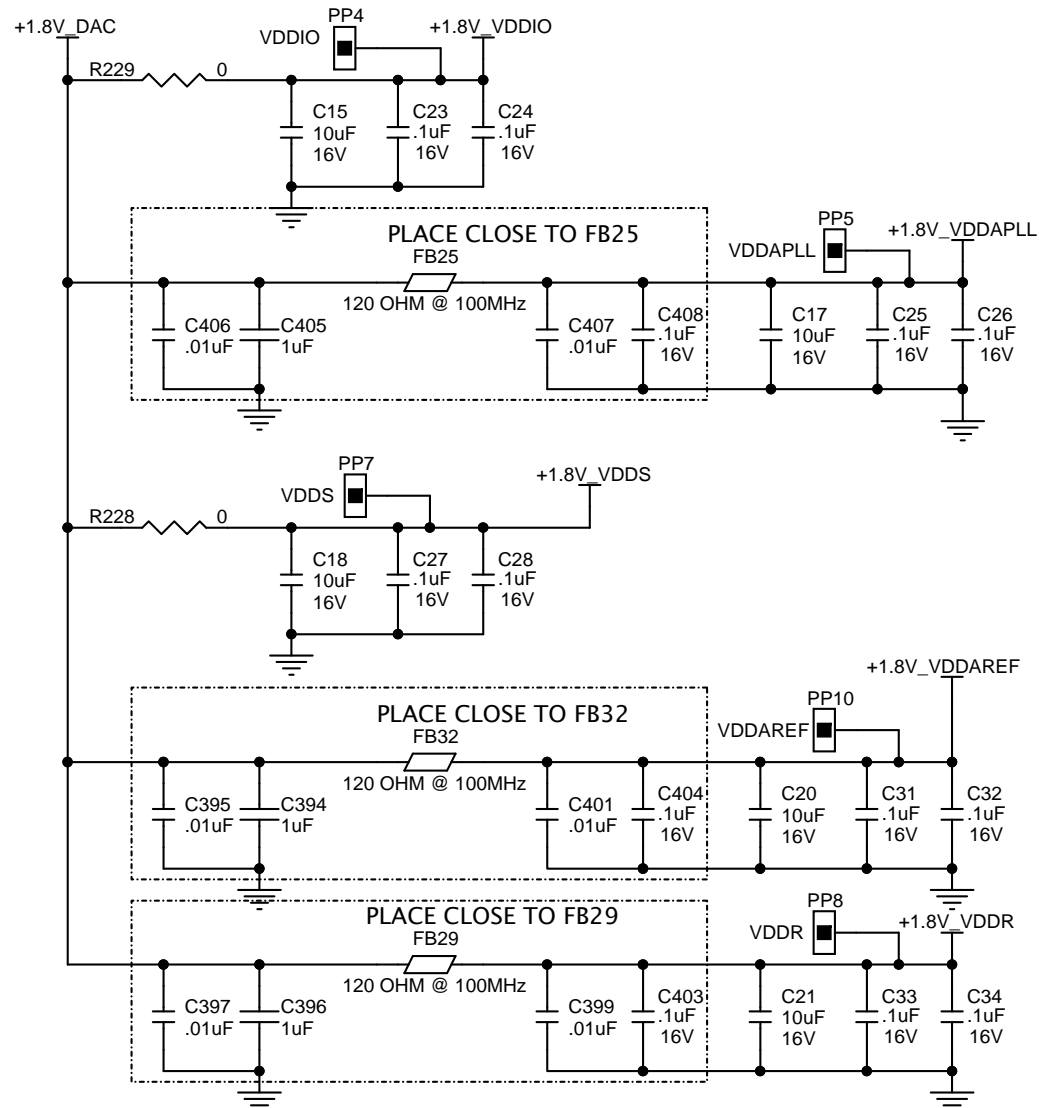
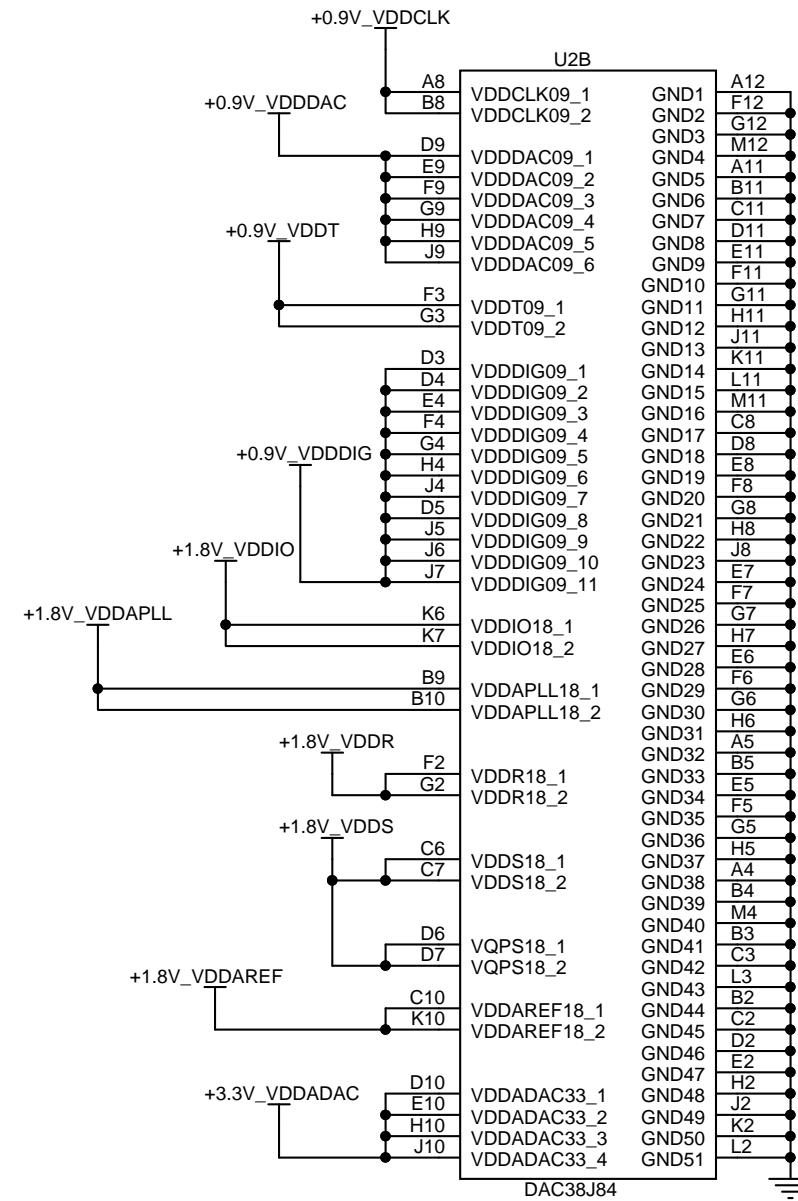
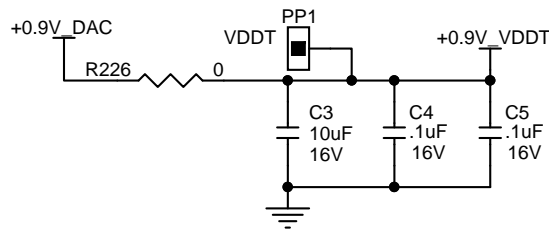
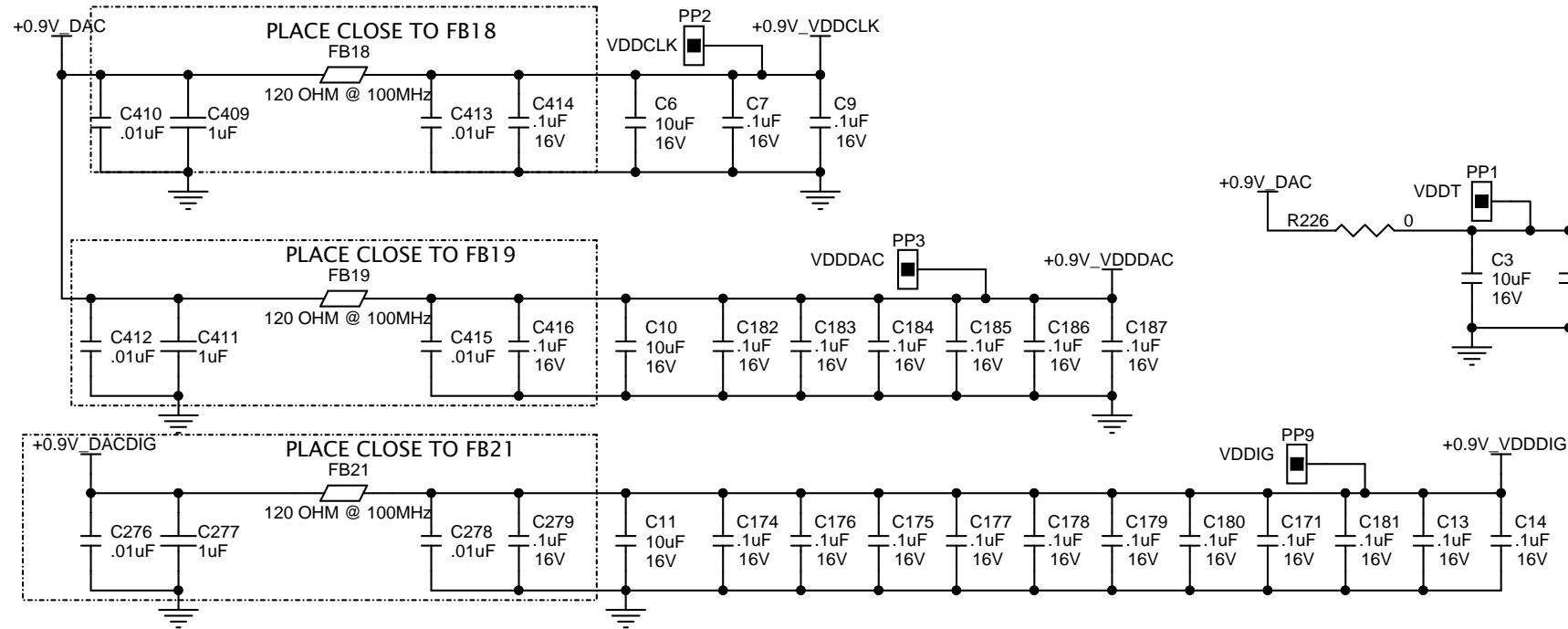
**TEXAS INSTRUMENTS**  
 12500 TI Boulevard, Dallas, Texas 75243  
**CLOCK**  
 SCH, TSW3080  
 Rev E2  
 Monday, March 28, 2016  
 Sheet 4 of 14



Title			<b>LMK POWER</b>		
Size	Document Number	Rev			
<b>B</b>	<b>SCH, TSW3080</b>	<b>E2</b>			
Date:	Sheet 5 of 14				

Monday, March 28, 2016



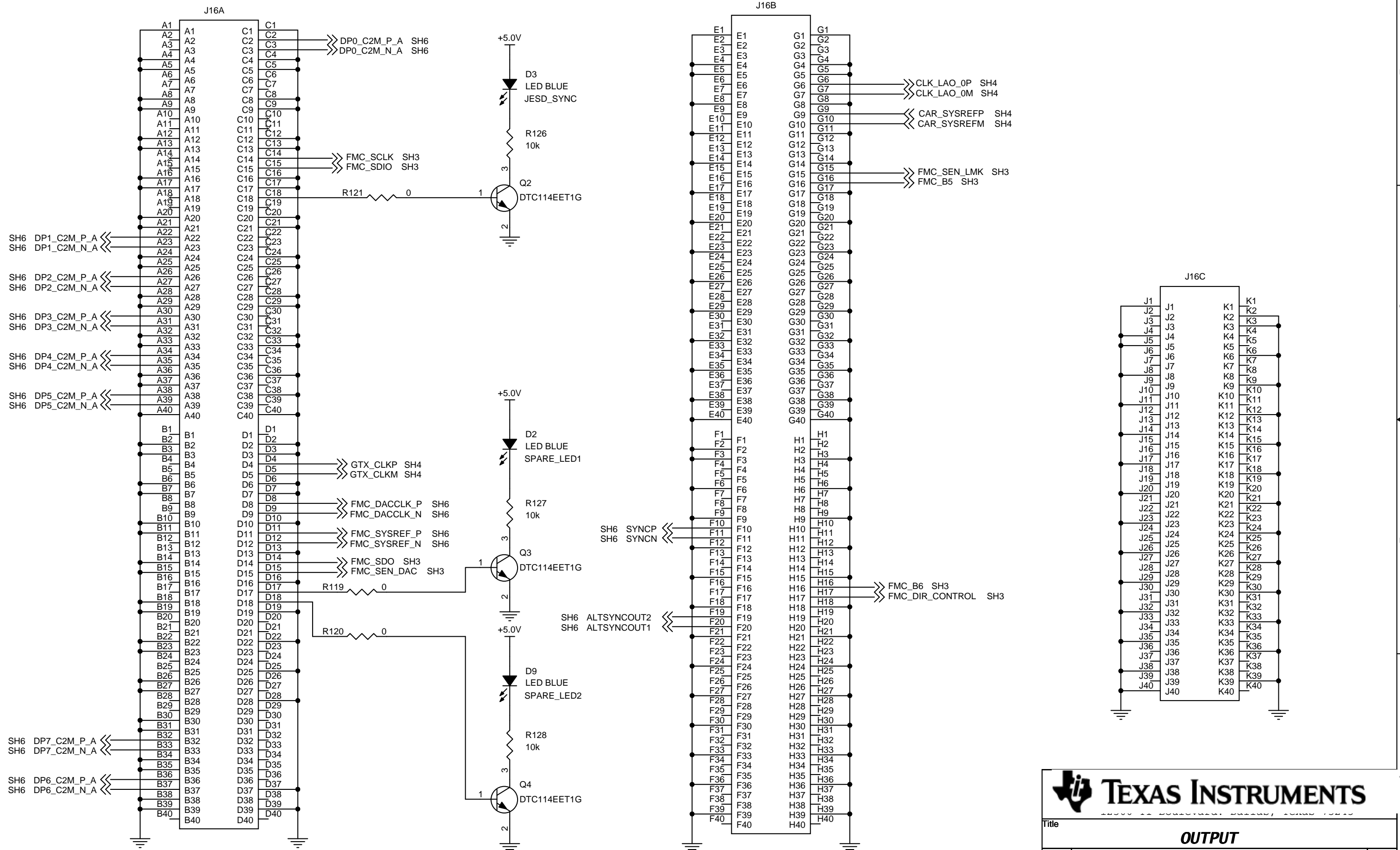


**TEXAS INSTRUMENTS**

Title: **DAC**

Size: **B** | Document Number: **SCH, TSW3080** | Rev: **E2**

Date: **Monday, March 28, 2016** | Sheet: **7** of **14**



**TEXAS INSTRUMENTS**  
 12000 TI Boulevard, Dallas, Texas 75243

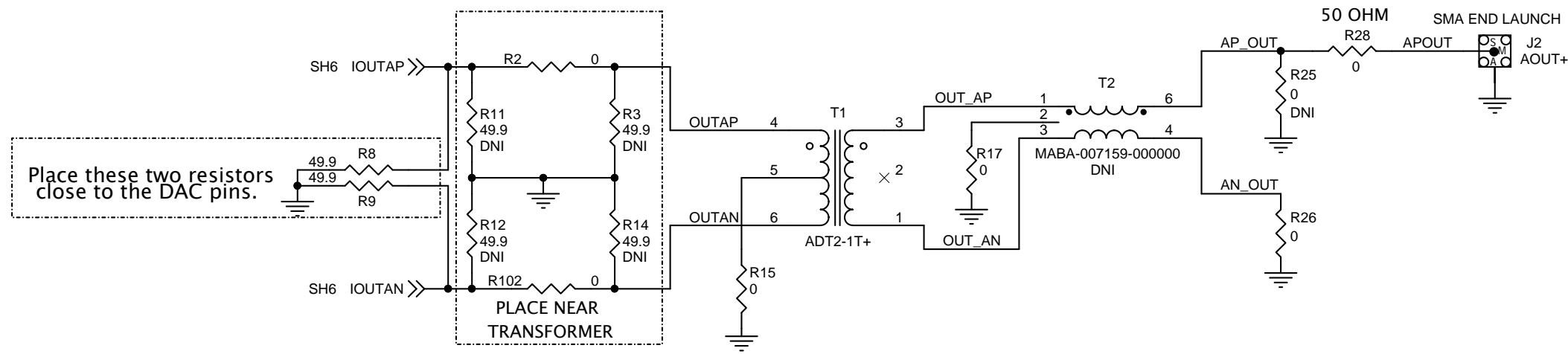
Title: **OUTPUT**

Size: **B** | Document Number: **SCH, TSW3080** | Rev: **E2**

Date: **Monday, March 28, 2016** | Sheet: **8** of **14**




# CHANNEL 1

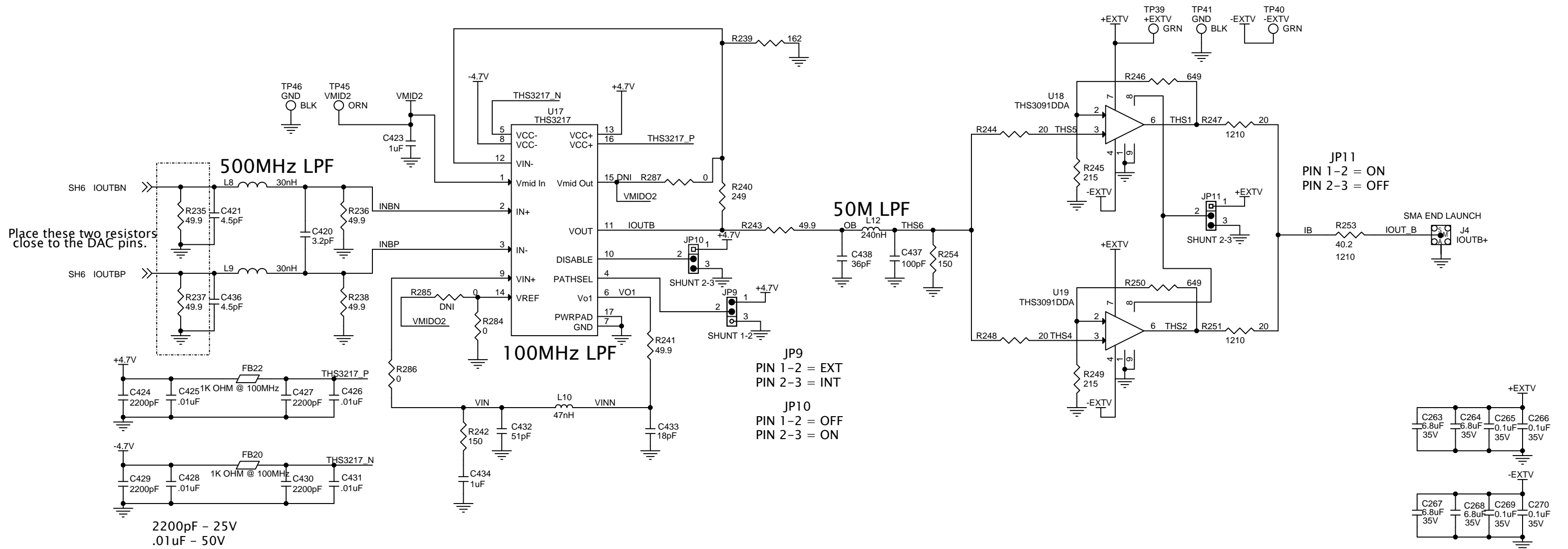


Place these two resistors close to the DAC pins.

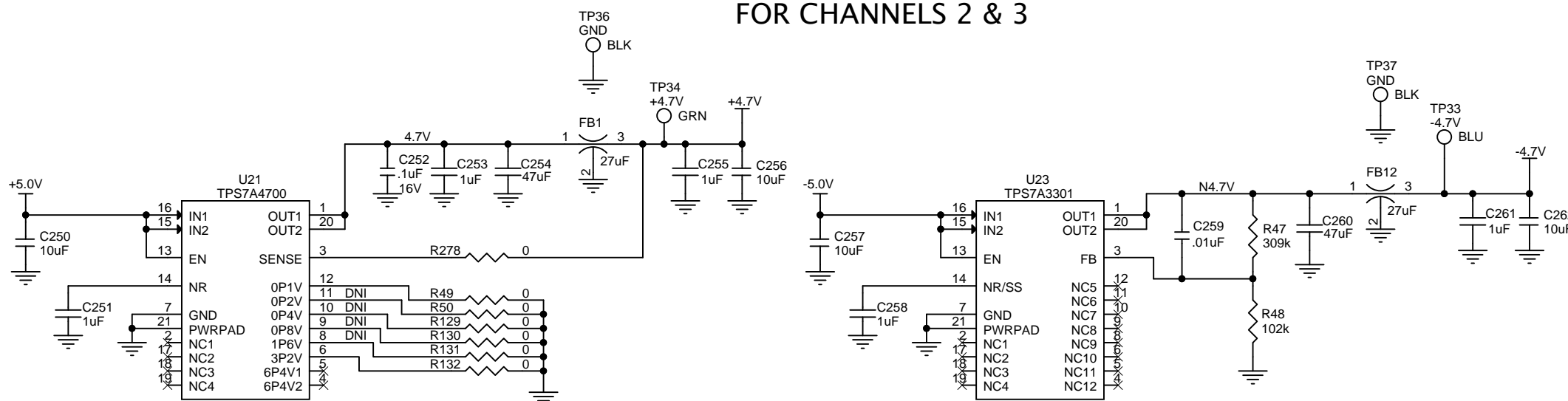
PLACE NEAR TRANSFORMER

 <b>TEXAS INSTRUMENTS</b>		
Title		
<b>CHANNEL ONE</b>		
Size	Document Number	Rev
<b>B</b>	<b>SCH, TSW3080</b>	<b>E2</b>
Date:	Wednesday, March 30, 2016	Sheet 9 of 14

# CHANNEL 2



# FOR CHANNELS 2 & 3



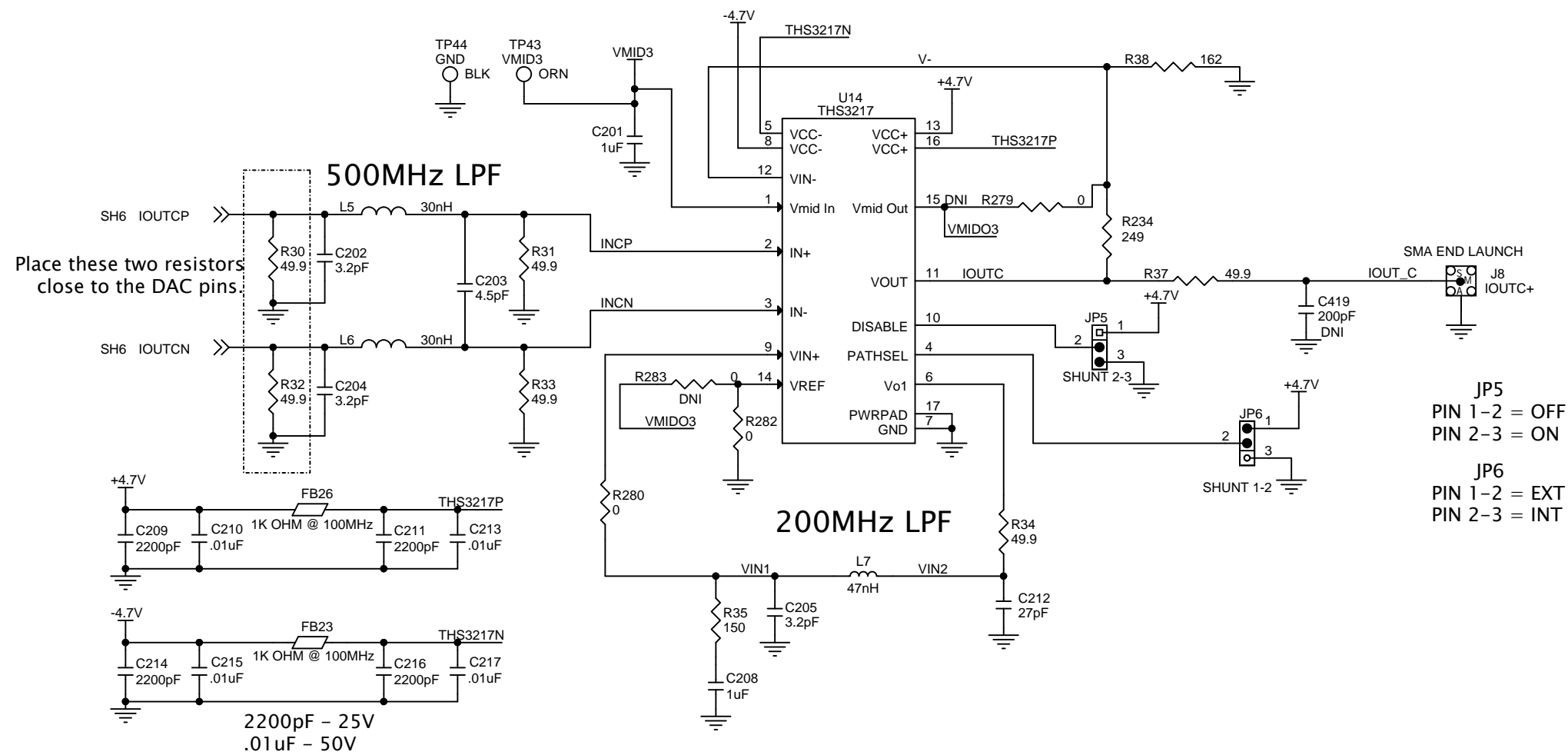
**TEXAS INSTRUMENTS**

Title: **CHANNEL TWO**

Size: **B** Document Number: **SCH, TSW3080** Rev: **E2**

Date: **Wednesday, March 30, 2016** Sheet **10** of **14**

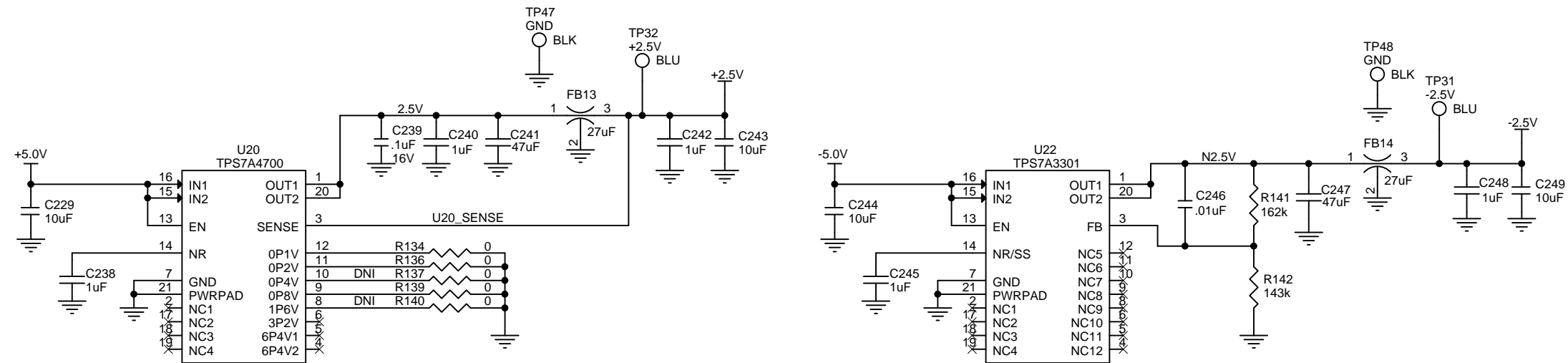
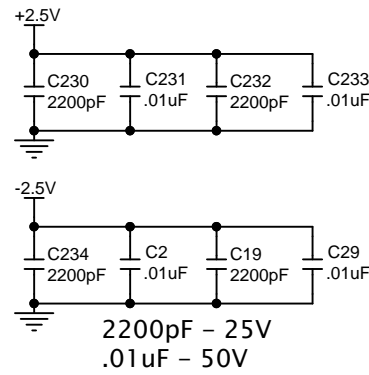
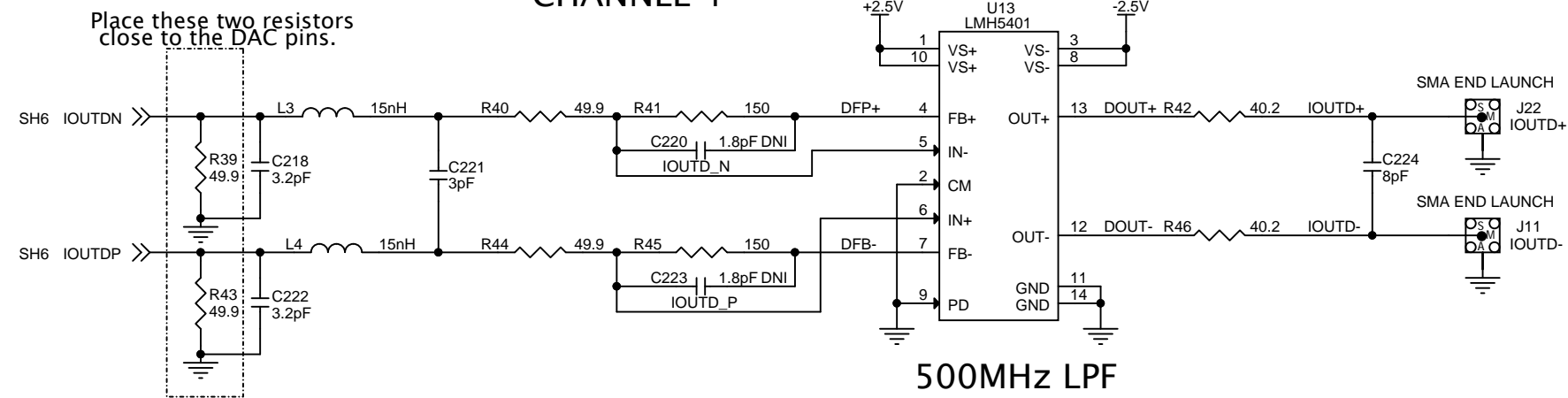
# CHANNEL 3

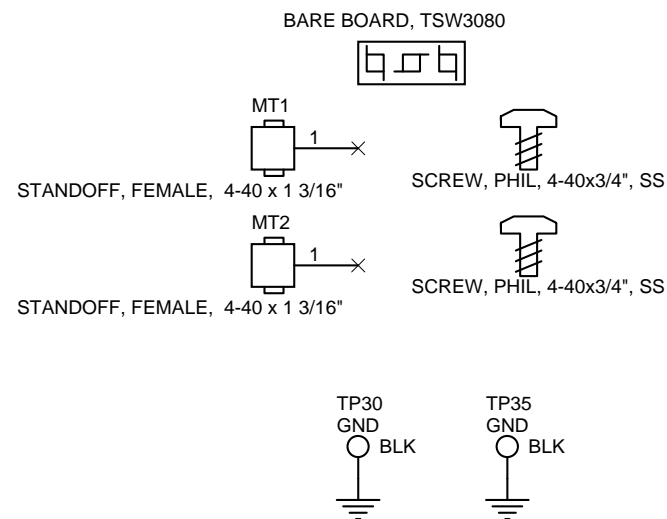
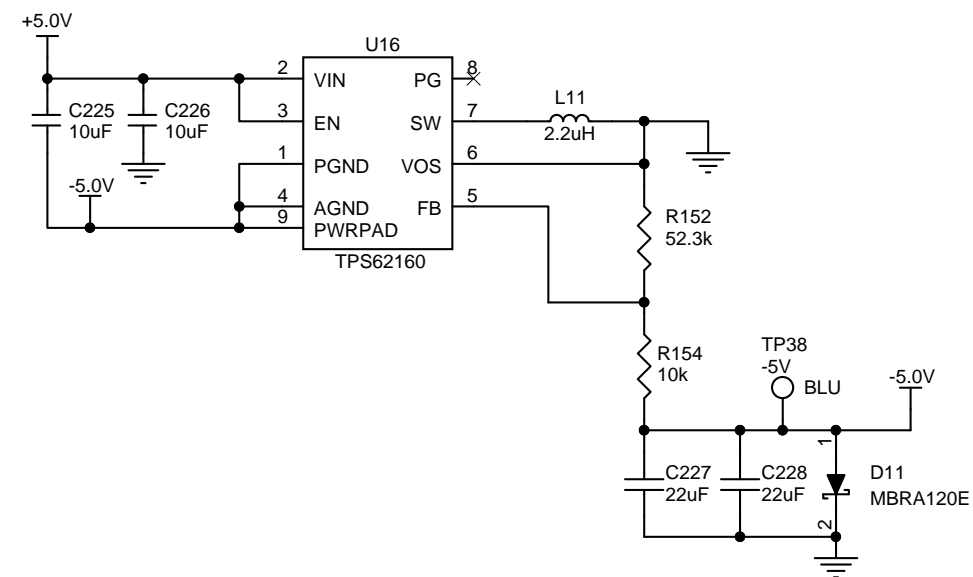
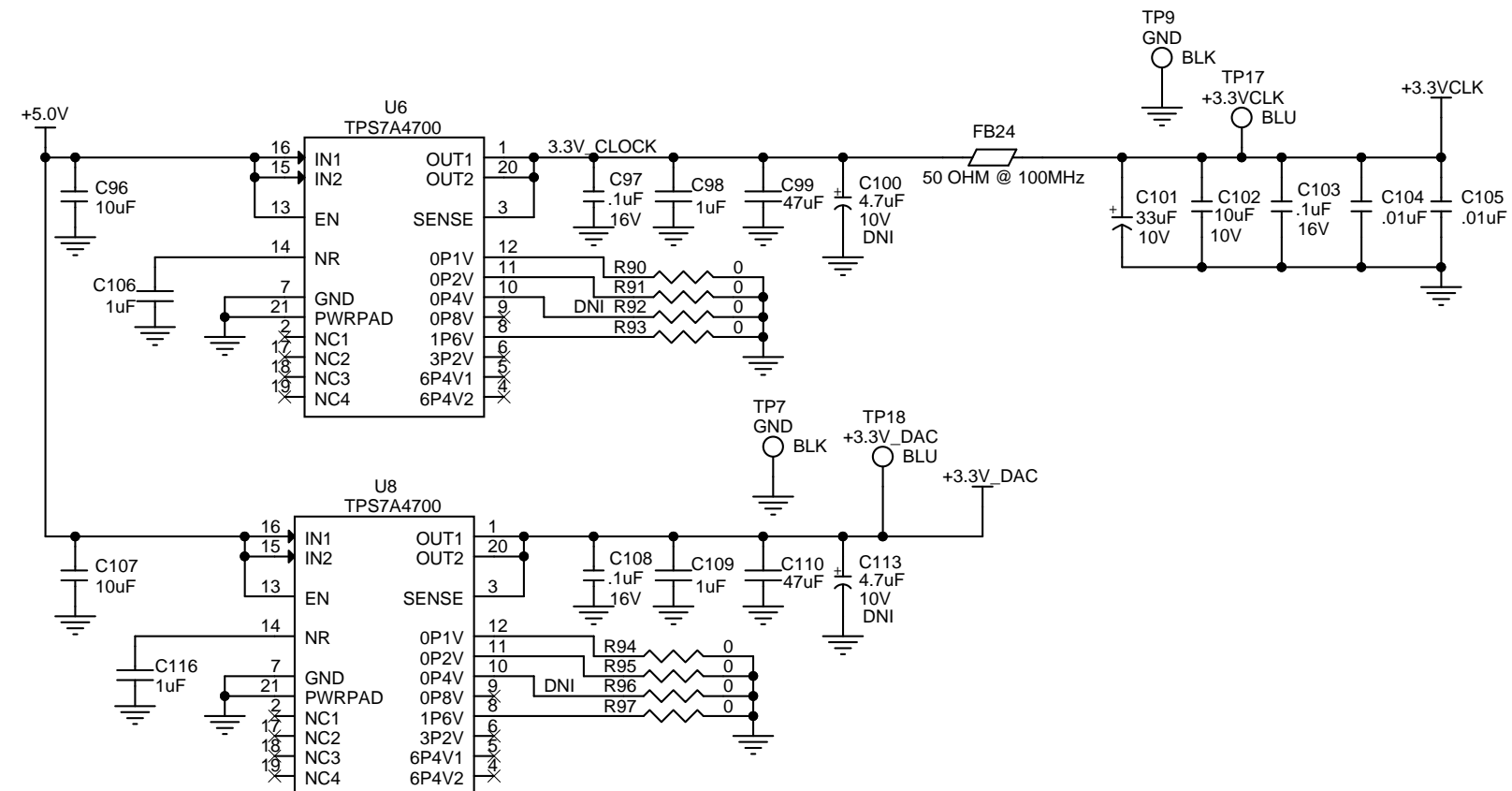
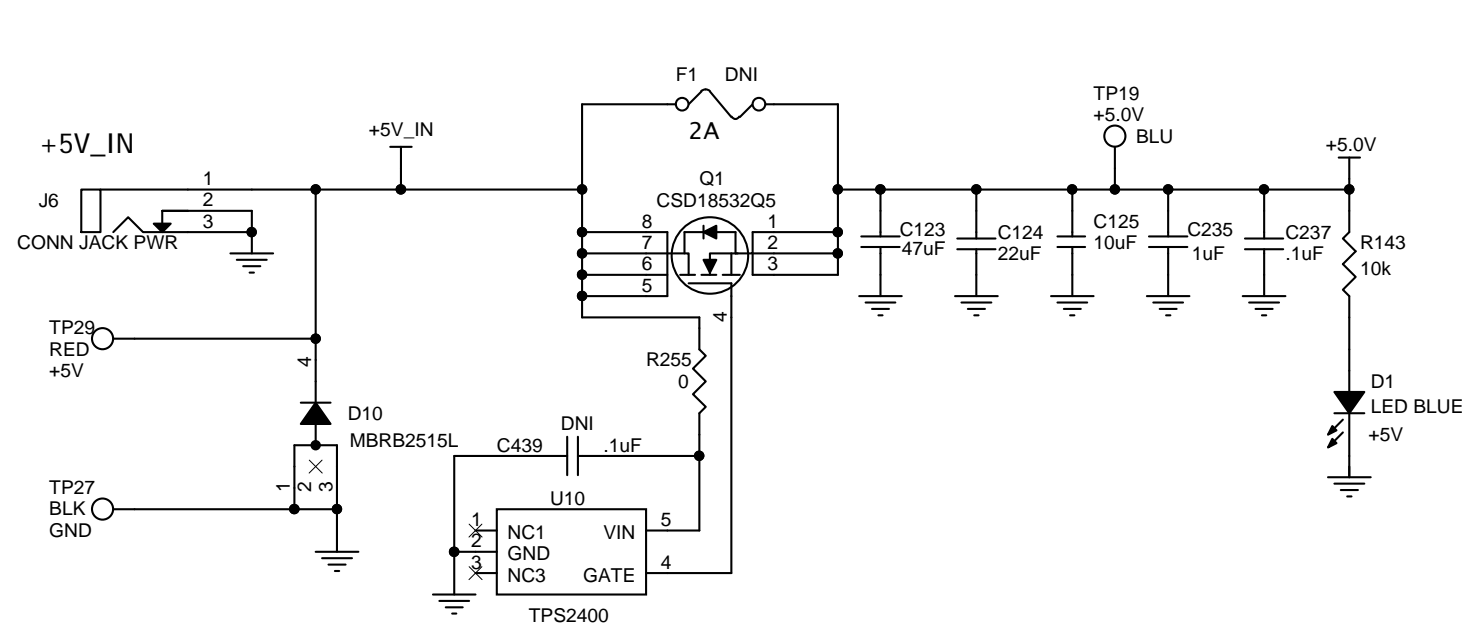


Title		
CHANNEL THREE		
Size	Document Number	Rev
B	SCH, TSW3080	E2
Date:	Sheet 11 of 14	

Wednesday, March 30, 2016

# CHANNEL 4





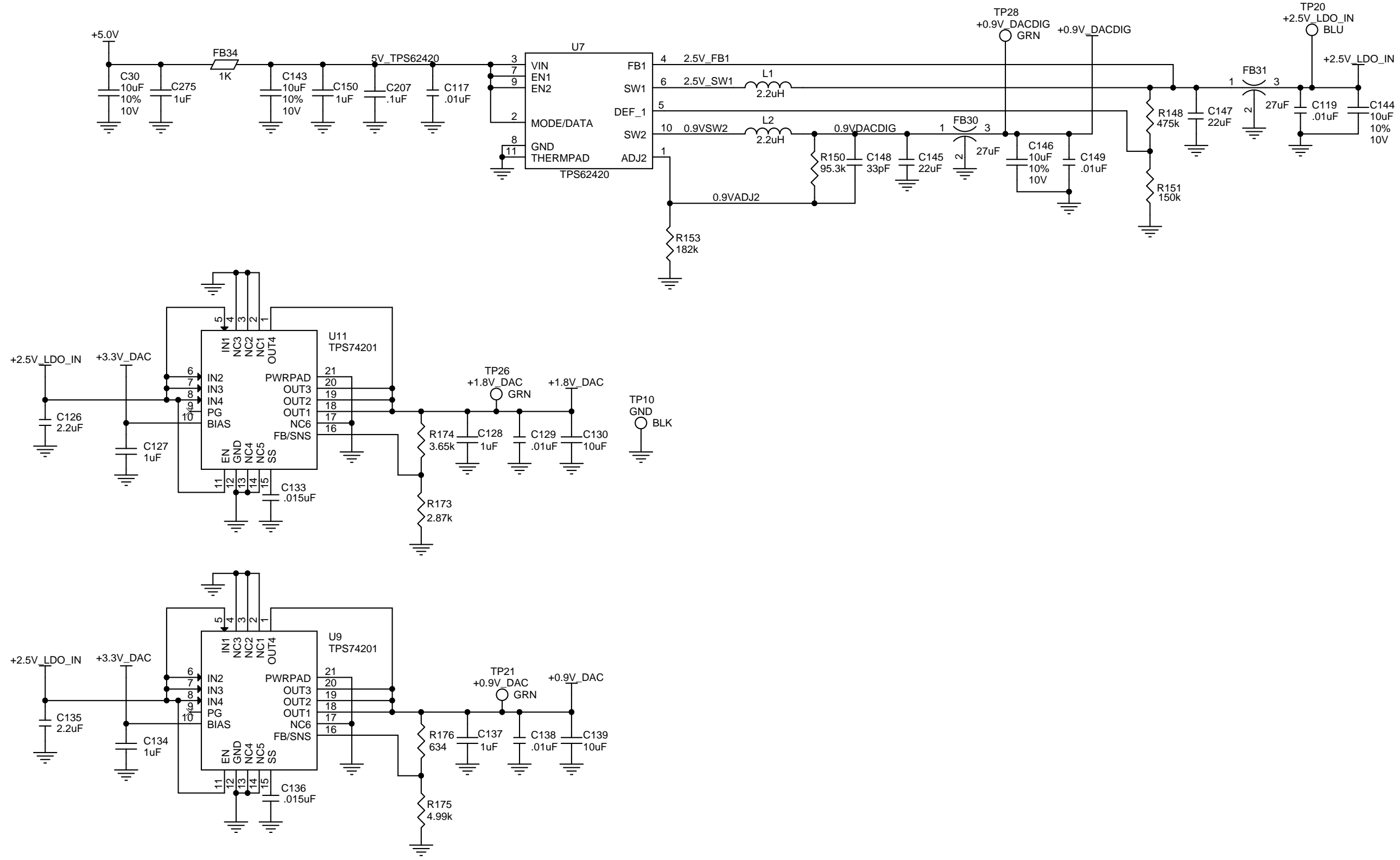
**TEXAS INSTRUMENTS**


Title: **MAIN POWER**

Size **B** Document Number: **SCH, TSW3080** Rev: **E2**

Date: \_\_\_\_\_ Sheet 13 of 14

Monday, March 28, 2016



 <b>TEXAS INSTRUMENTS</b>		
Title 12500 TI Boulevard, Dallas, Texas 75243		
<b>POWER</b>		
Size <b>B</b>	Document Number <b>SCH, TSW3080</b>	Rev <b>E2</b>
Date:	Sheet 14 of 14	

Monday, March 28, 2016