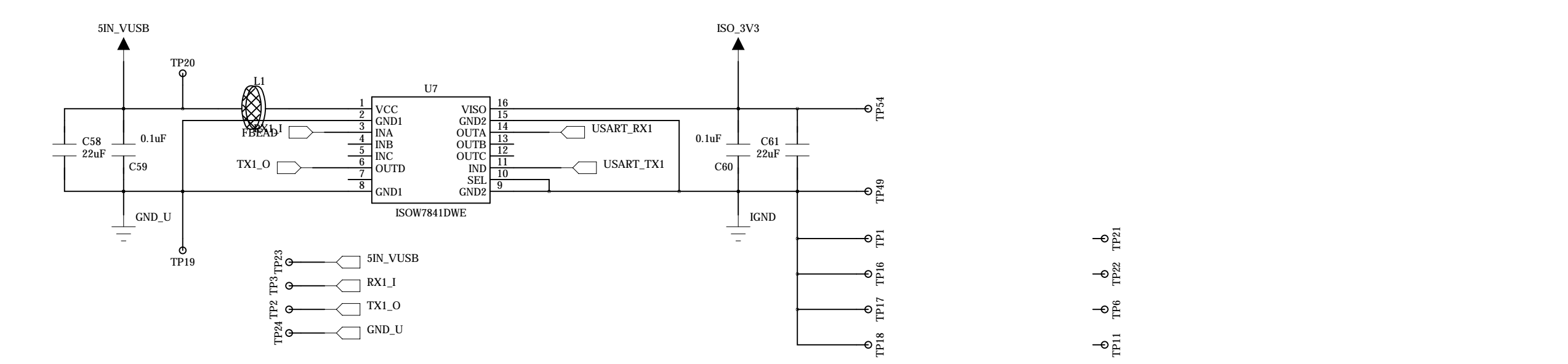
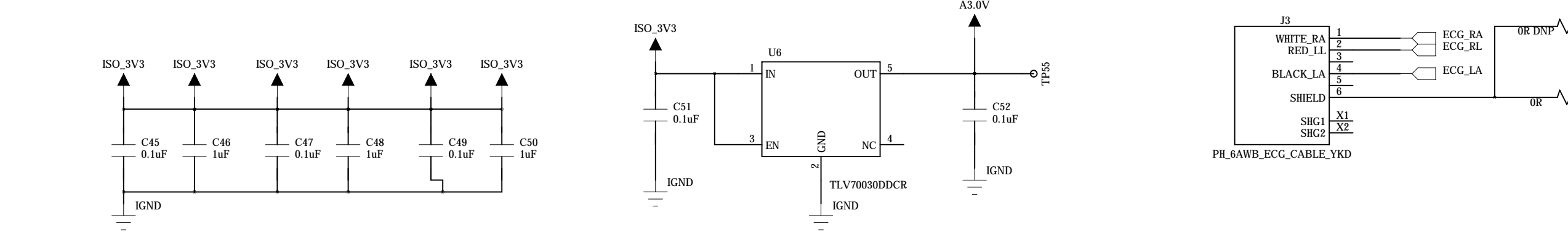
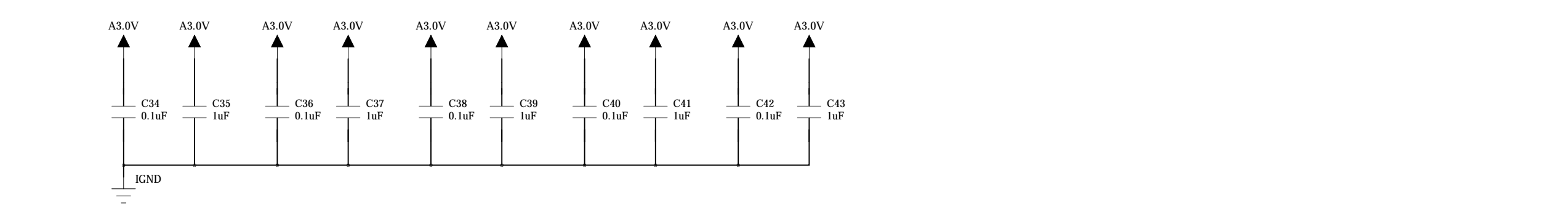
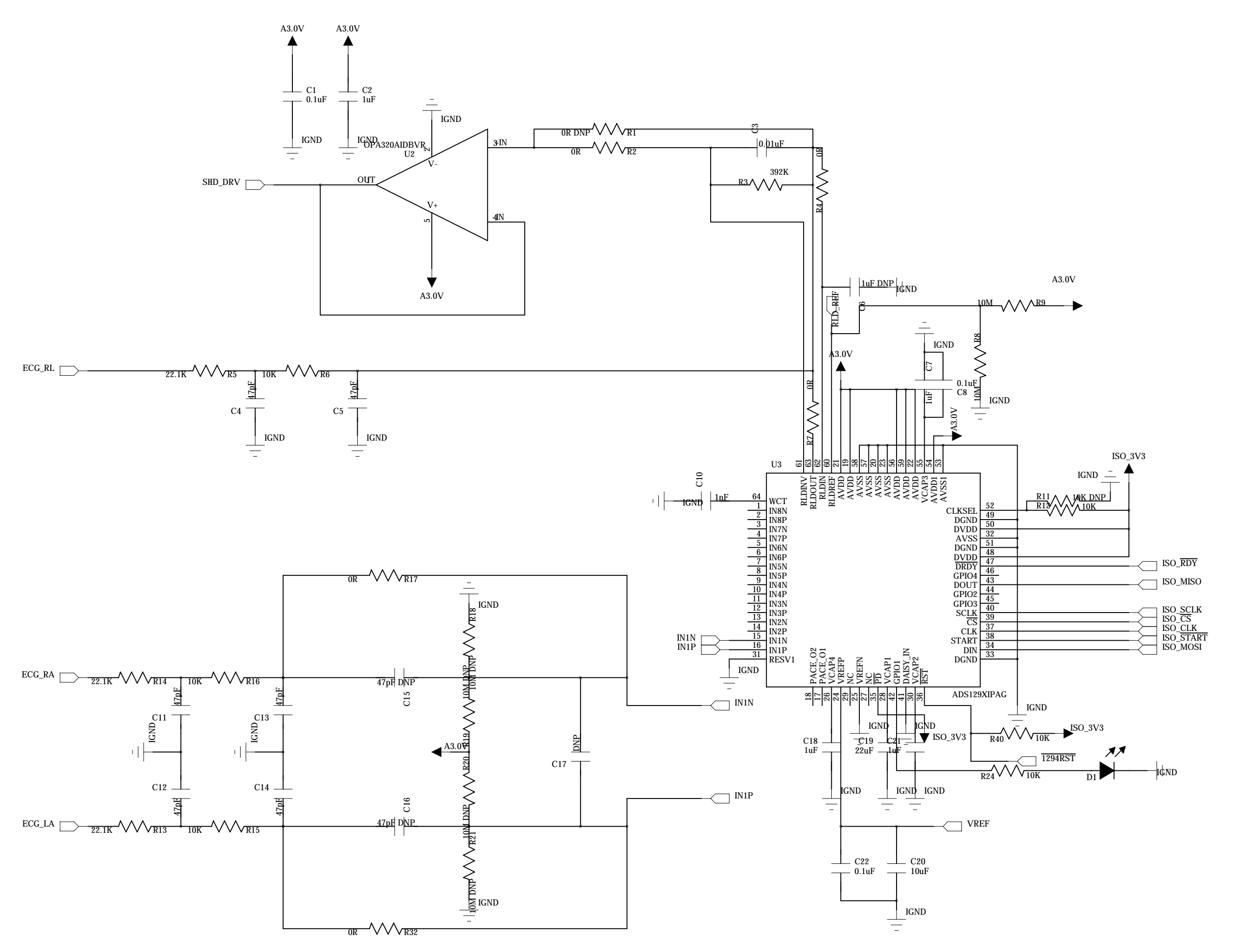
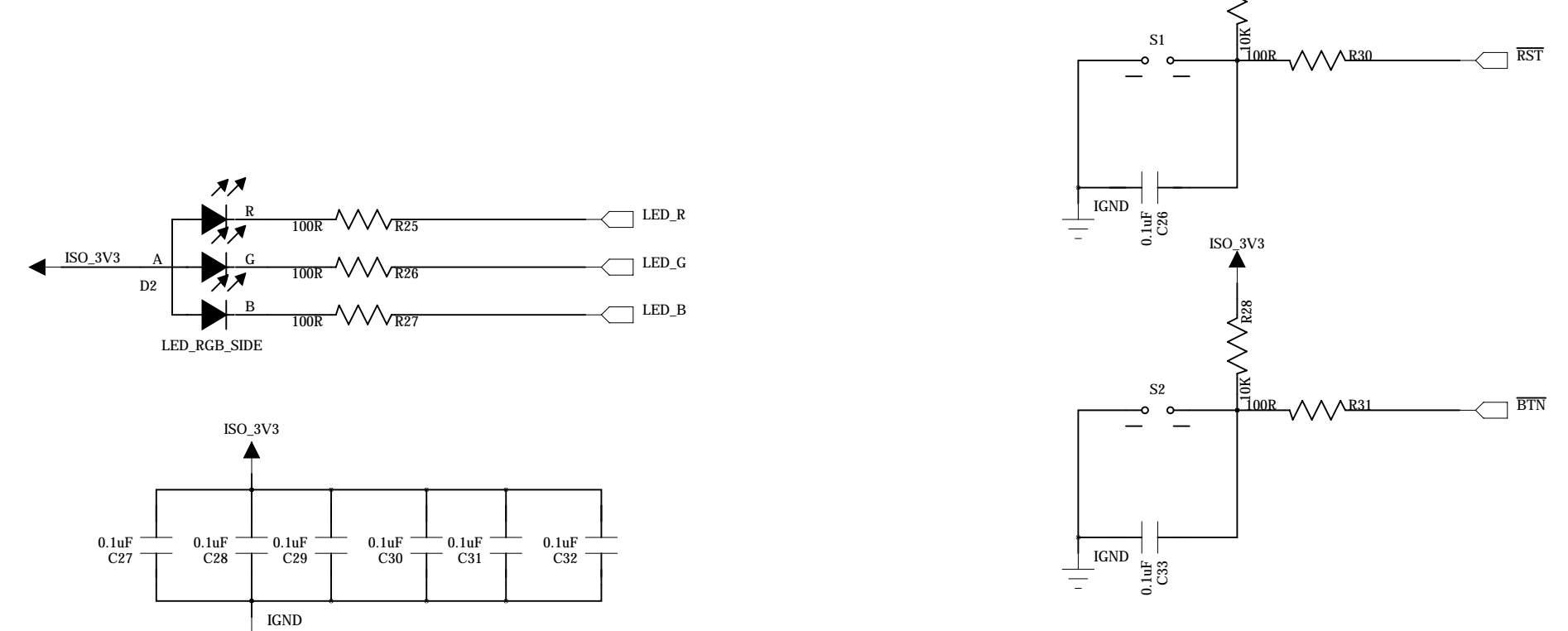
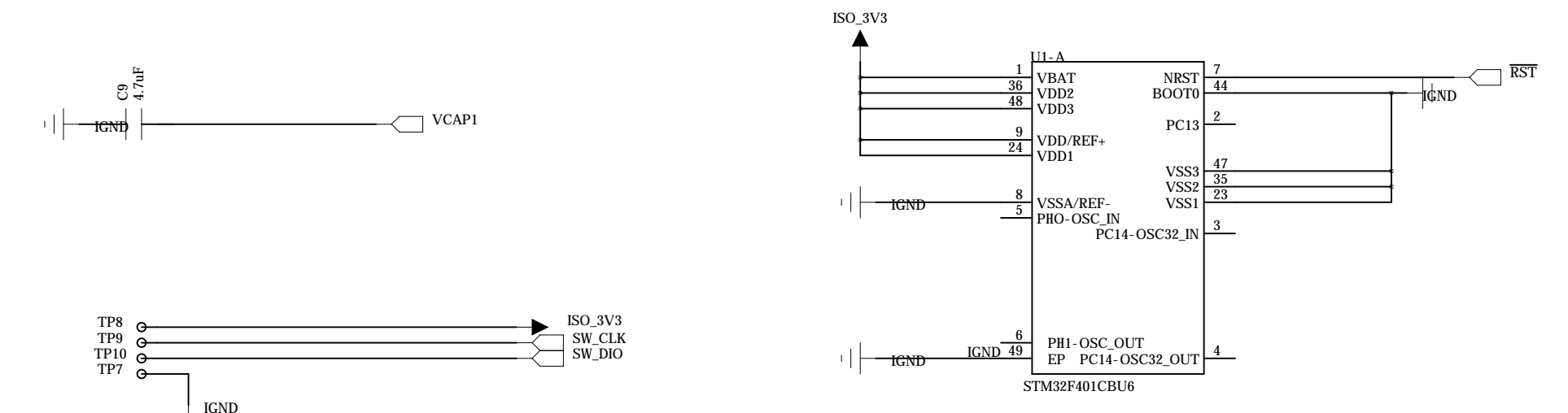
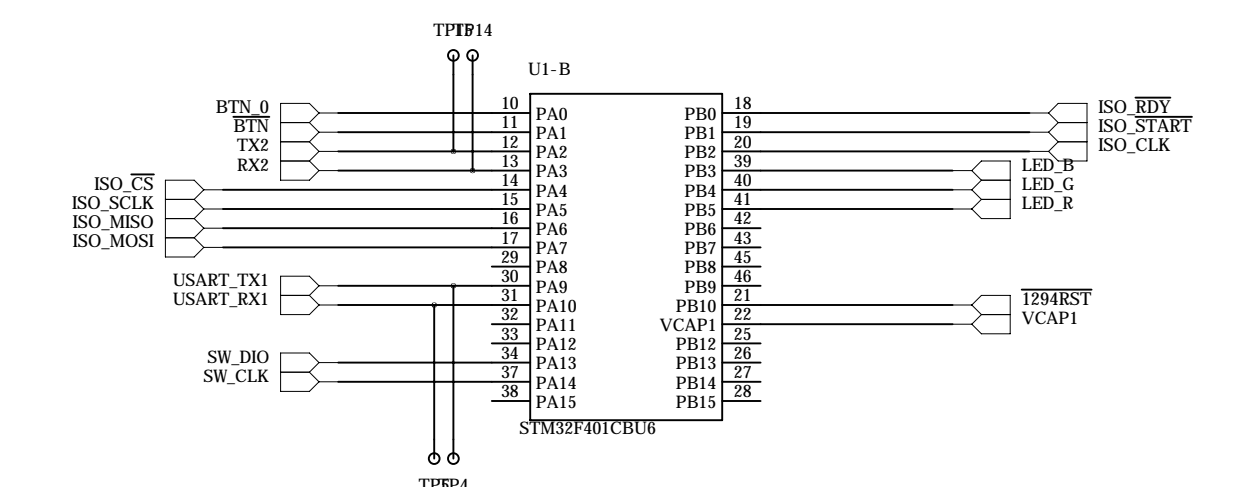


REVISION RECORD			
LTR	ECO NO.	APPROVED	DATE



COMPANY: <Company Name>				
TITLE: <Title>				
DRAWN: <Drawn By>	DATED: <Drawn Date>	CODE: <Code>	SIZE: <Drawing Number>	REV: <Revision>
CHECKED: <Checked By>	DATED: <Checked Date>	D<Drawing Number> <Revision>		
QUALITY CONTROLLED: <QC By>	DATED: <QC Date>	SHEET: 1 OF 1		
RELEASED: <Released By>	DATED: <Release Date>	SCALE: <Scale>		

