

8

7

6

5

4

3

2

1



D

D

C

C

B

B

A

A

```

I&O=^mnp, &E^
CHIP_PUZZLER^R&D&I^C&R^C&S&B&U&Q&A^E^R^10KE^C^1uf
80M2059-2.5uA^0^A^1&A&E^D&O^D&P, &A
&M&A^C&M&F&I^C^, C&M&A&B&I, E
USB2.0^D&A^1&A&C^D&O^C&M&A^o
text

```

Hangzhou Cheng Tian Technology Development Co., Ltd.

www.robot.com

TITLE

Schematic1

SIZE DWG NO. REV

D 0

DRAWN BY <YOUR NAME HERE> SCALE 1:1 SHEET 2 of 5 DATE 27/12/2023 09:52

8

7

6

5

4

3

2

1



usb

5V3A

CS5090EA/SGM41526

3.7V/400mA
5.6-8.4V

ICM-42605
BMI088
5.15mA
0.016995w

0.500
8.4V

3.433w
5w
8.4v=0.408A
8.4v=0.57A

8.4V x 3.3V
DCDC

3.3V/2A
TP6327GS6

1.65w
mcu 500mA
ESP-C6FH4
Active WiFi 354mA
AN315mA

SGM3209
IQ=7mA
-3.3V

0.0231w+0.2w

0.0231w+0.4w+1.65w+0.33w=2.4031

-3.3V to -2.5V
TPS72325DBVR
IQ=0.13mA

2x0.02x2.5=0.1w

2x0.02x2.5=0.1w; 0.5=0.2w

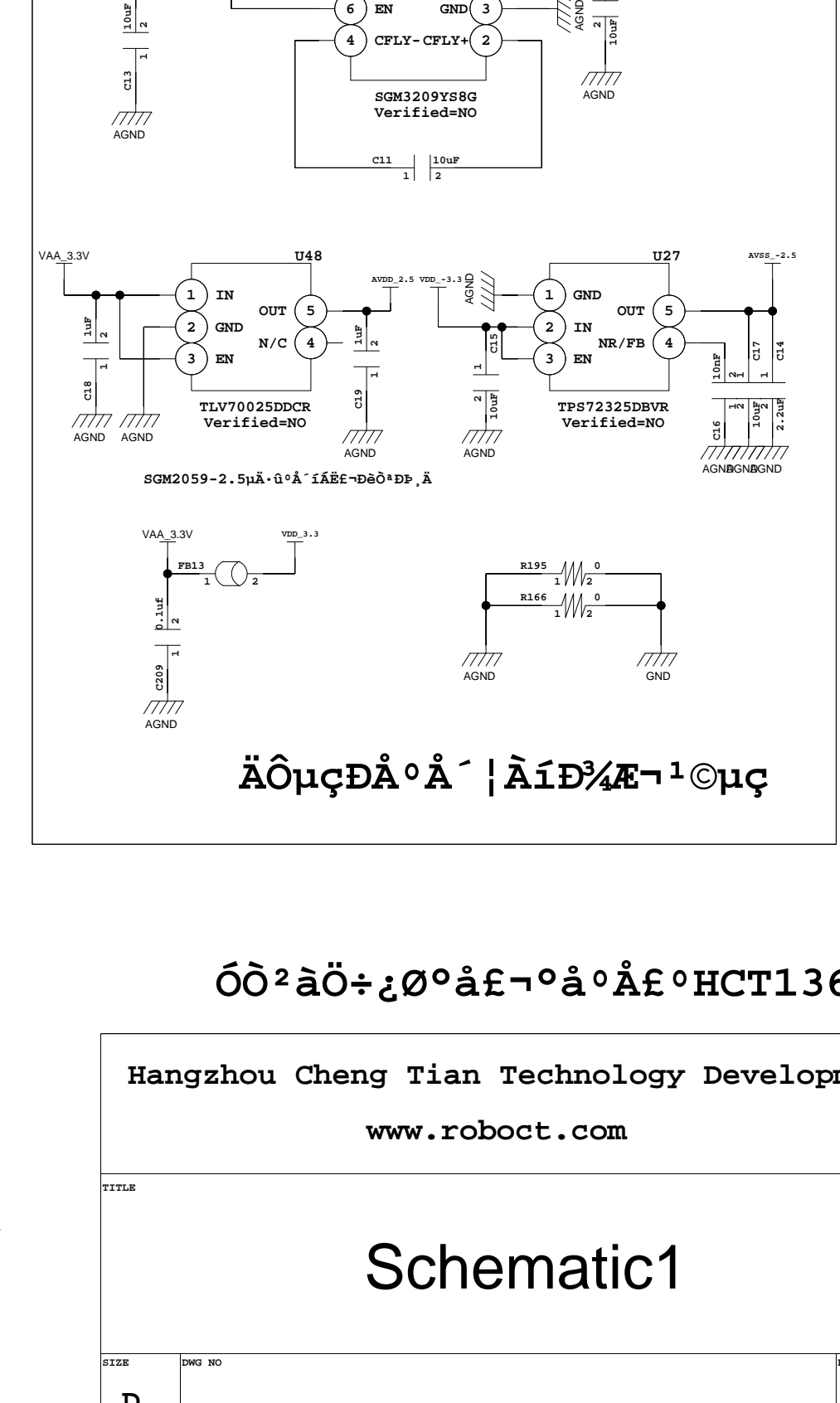
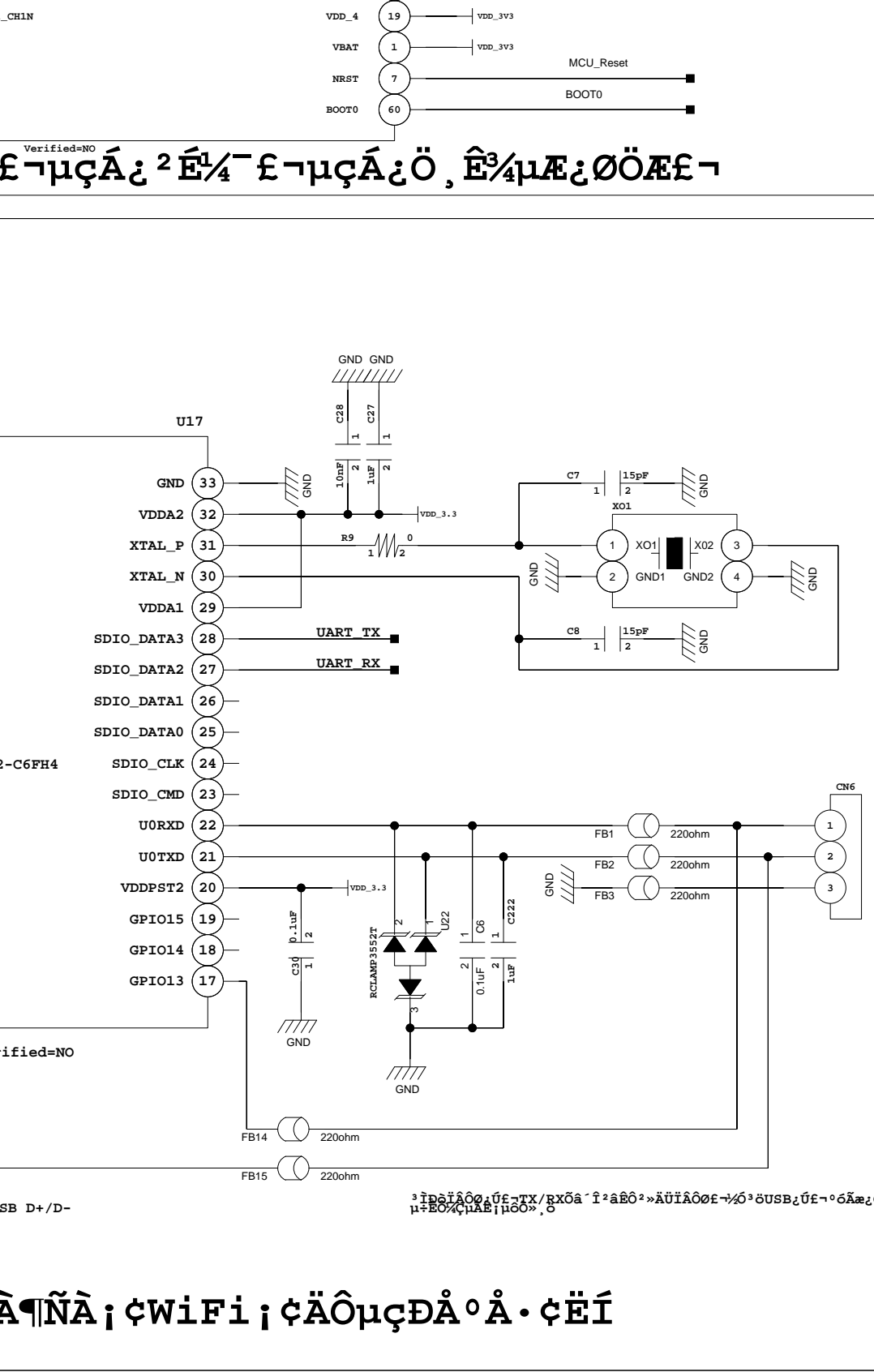
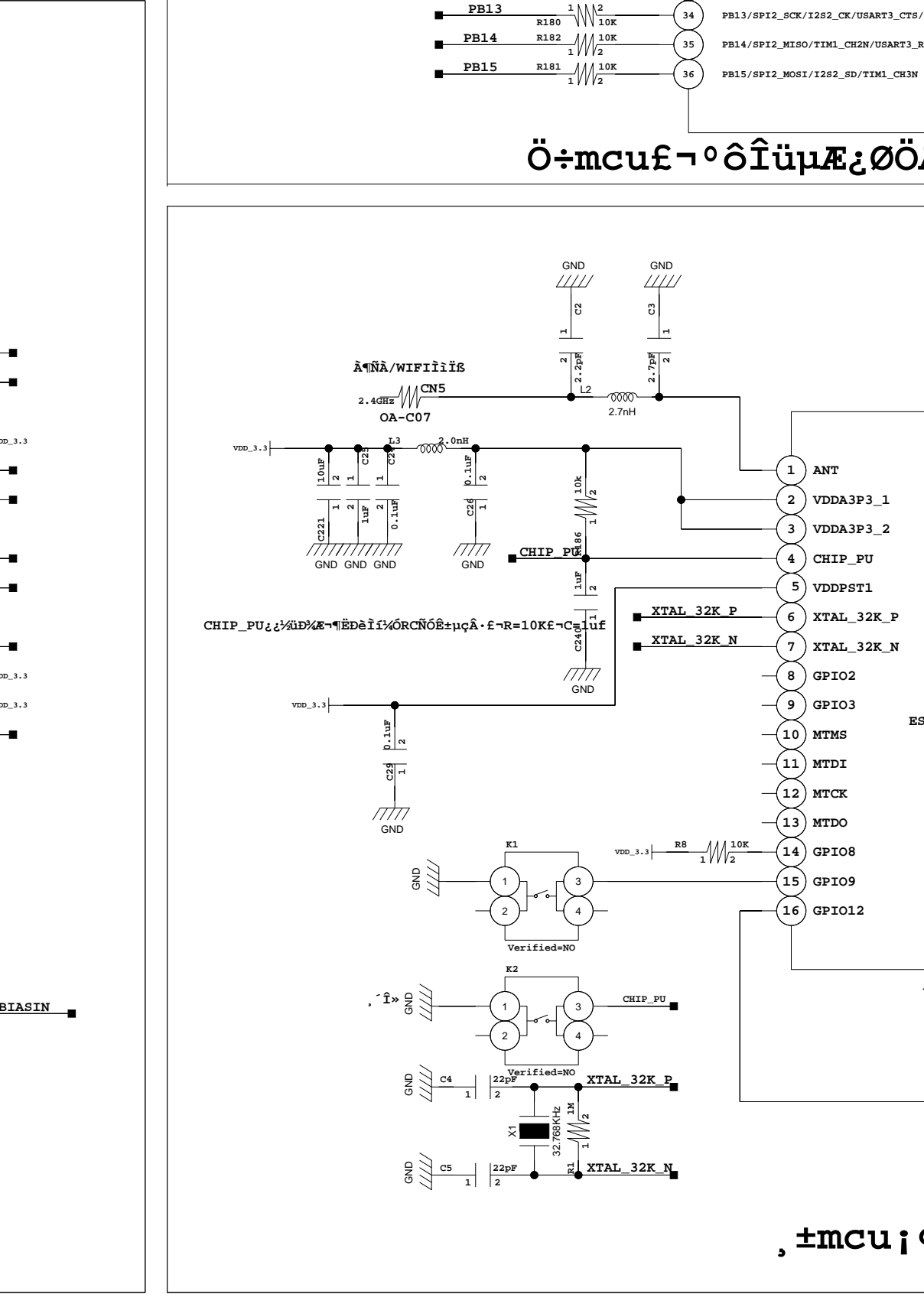
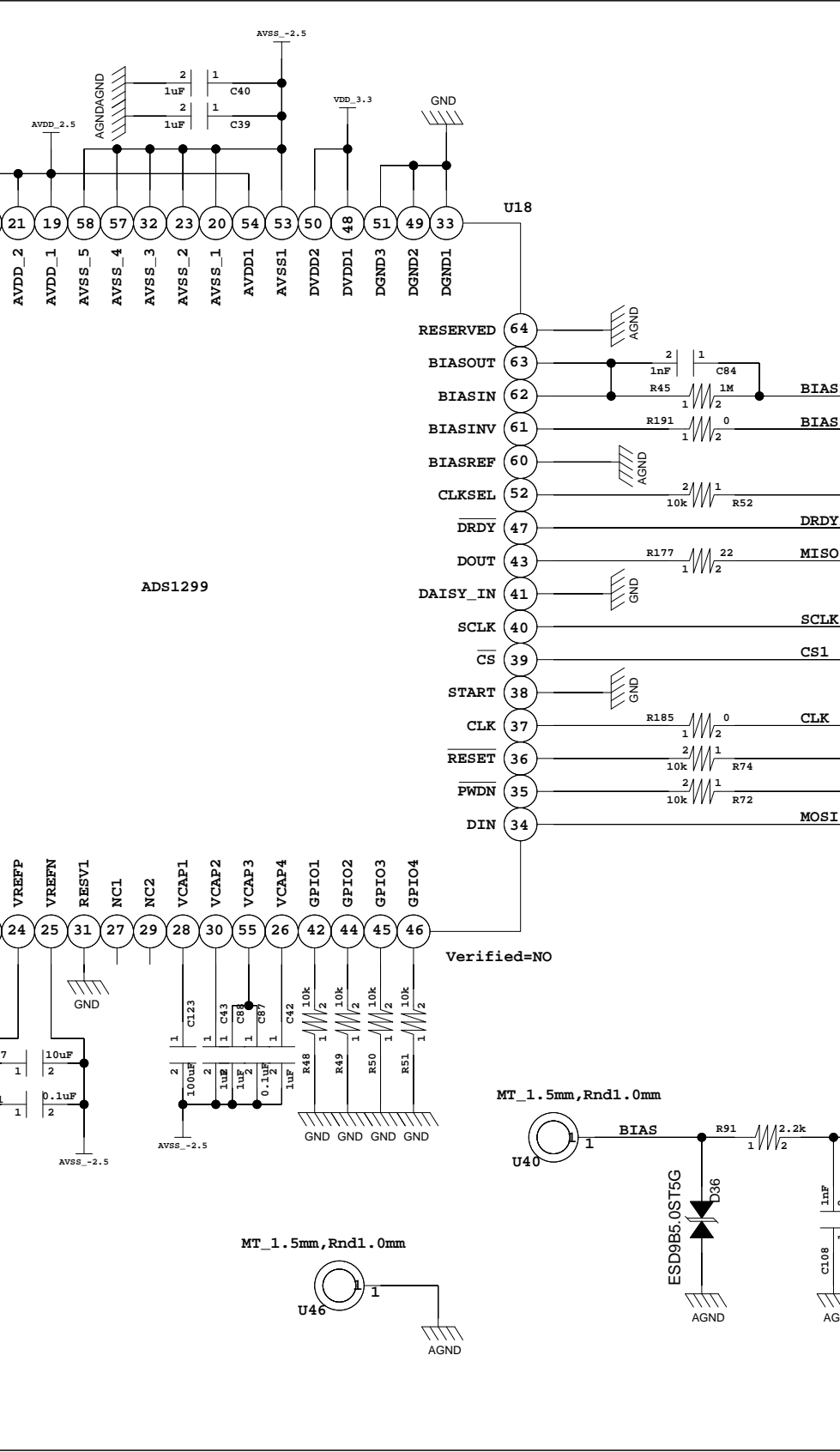
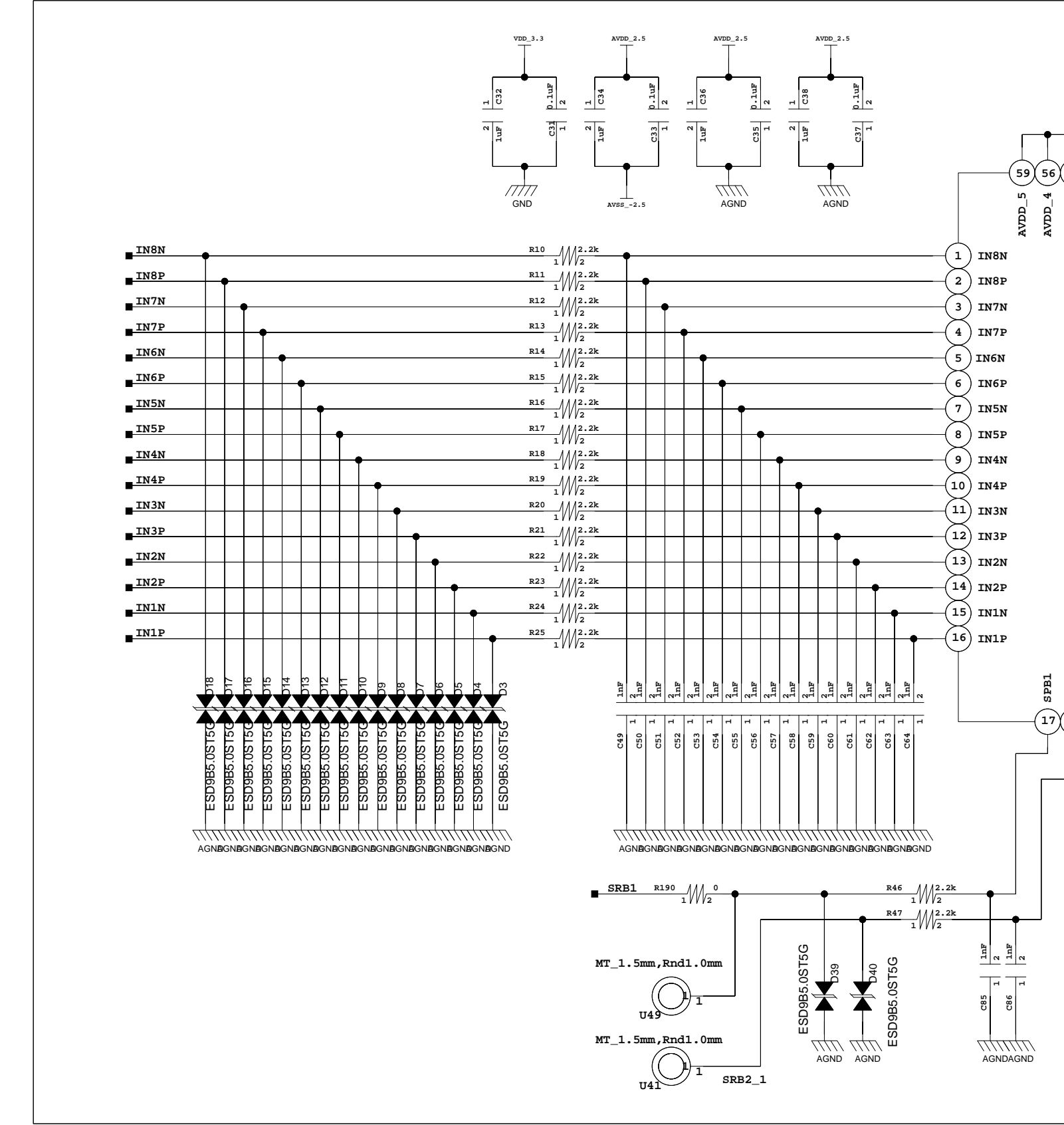
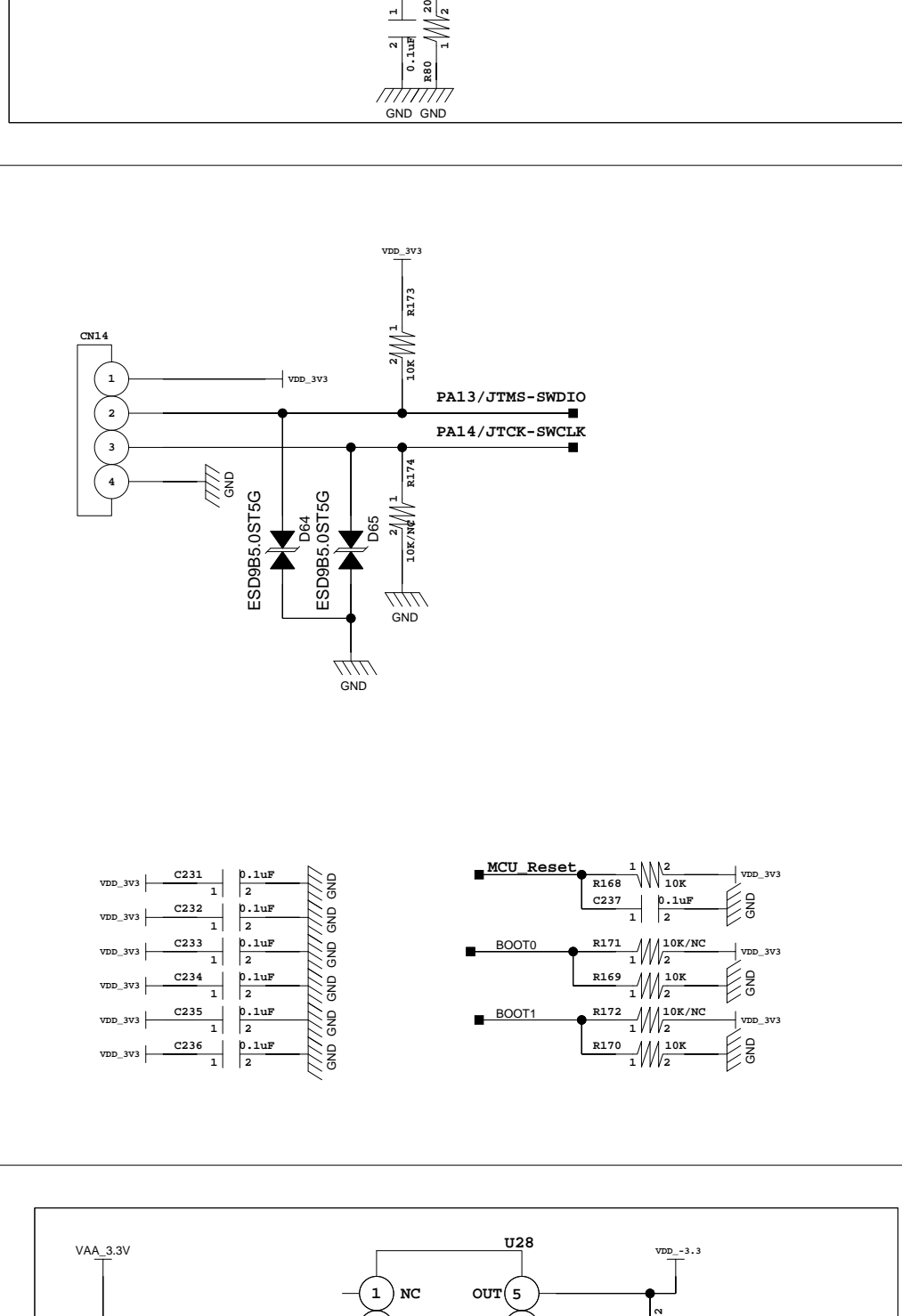
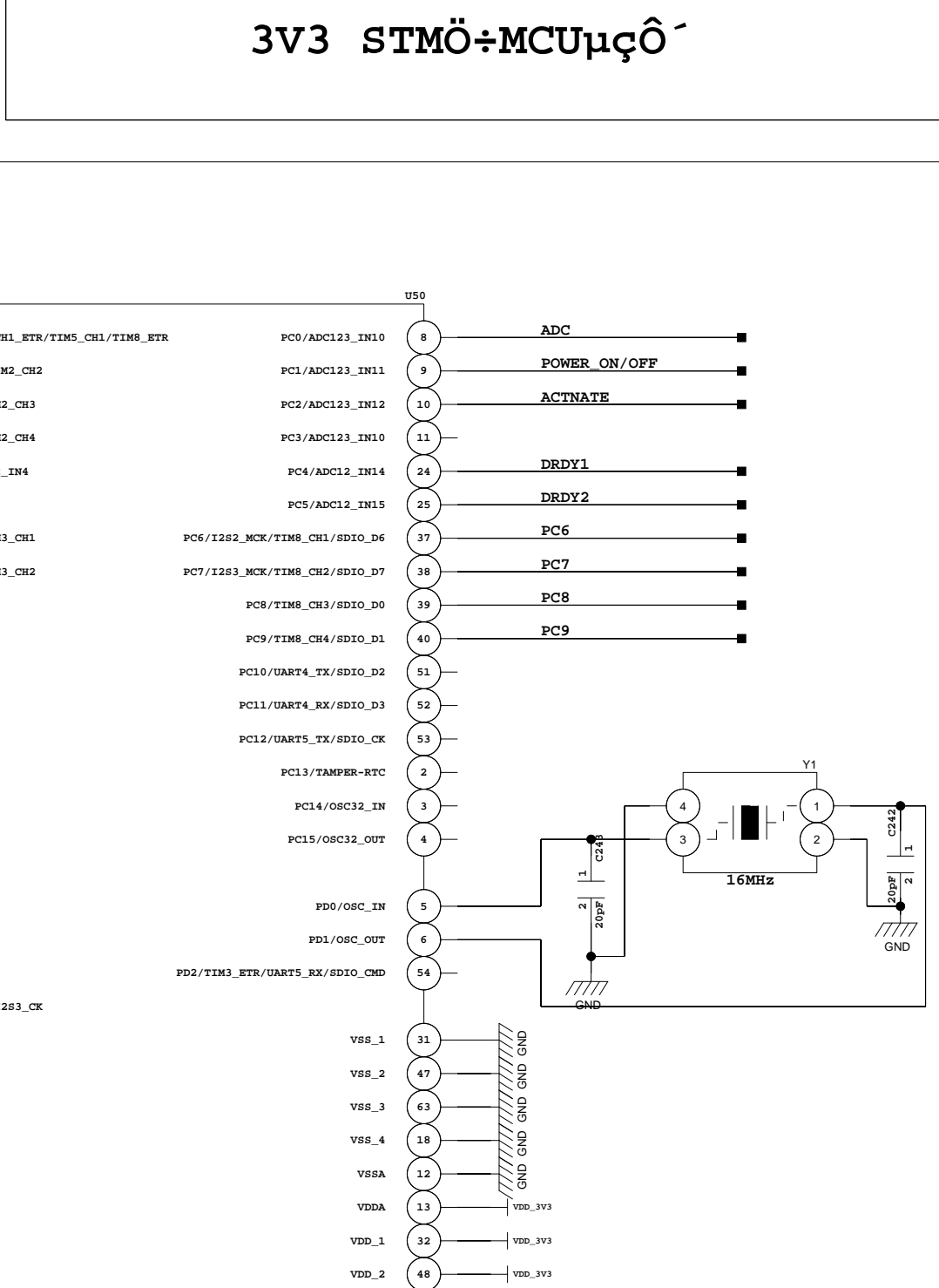
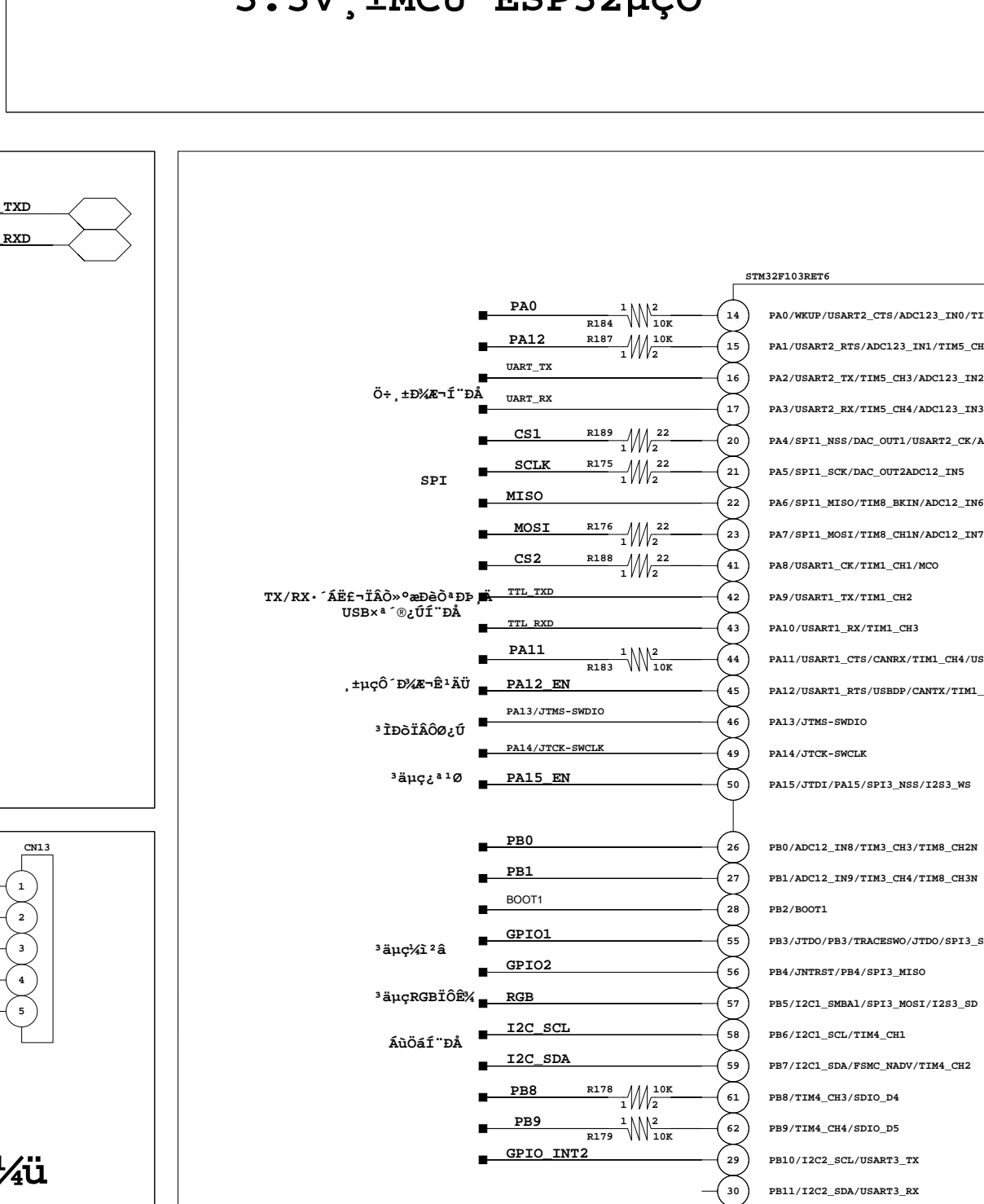
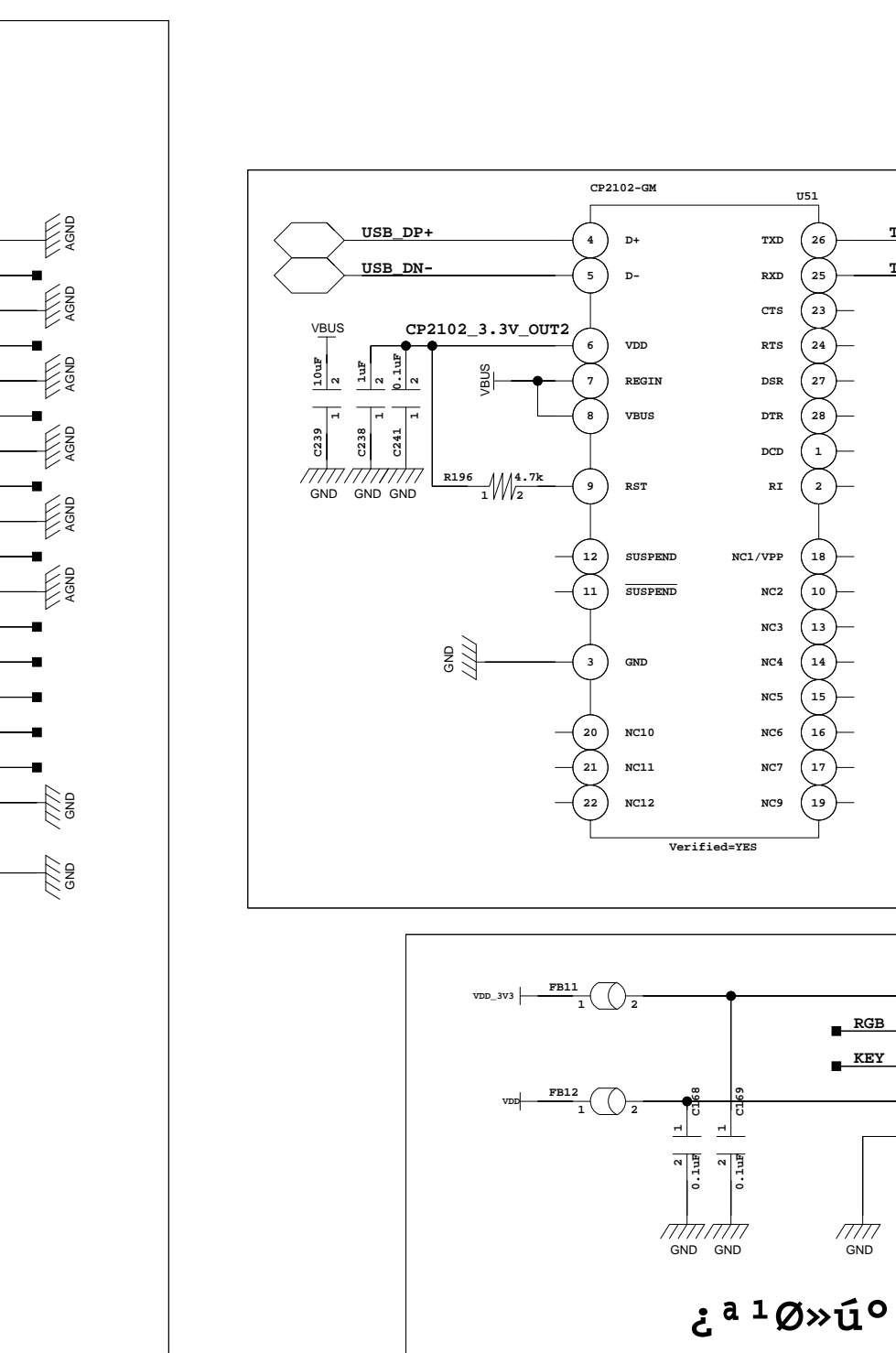
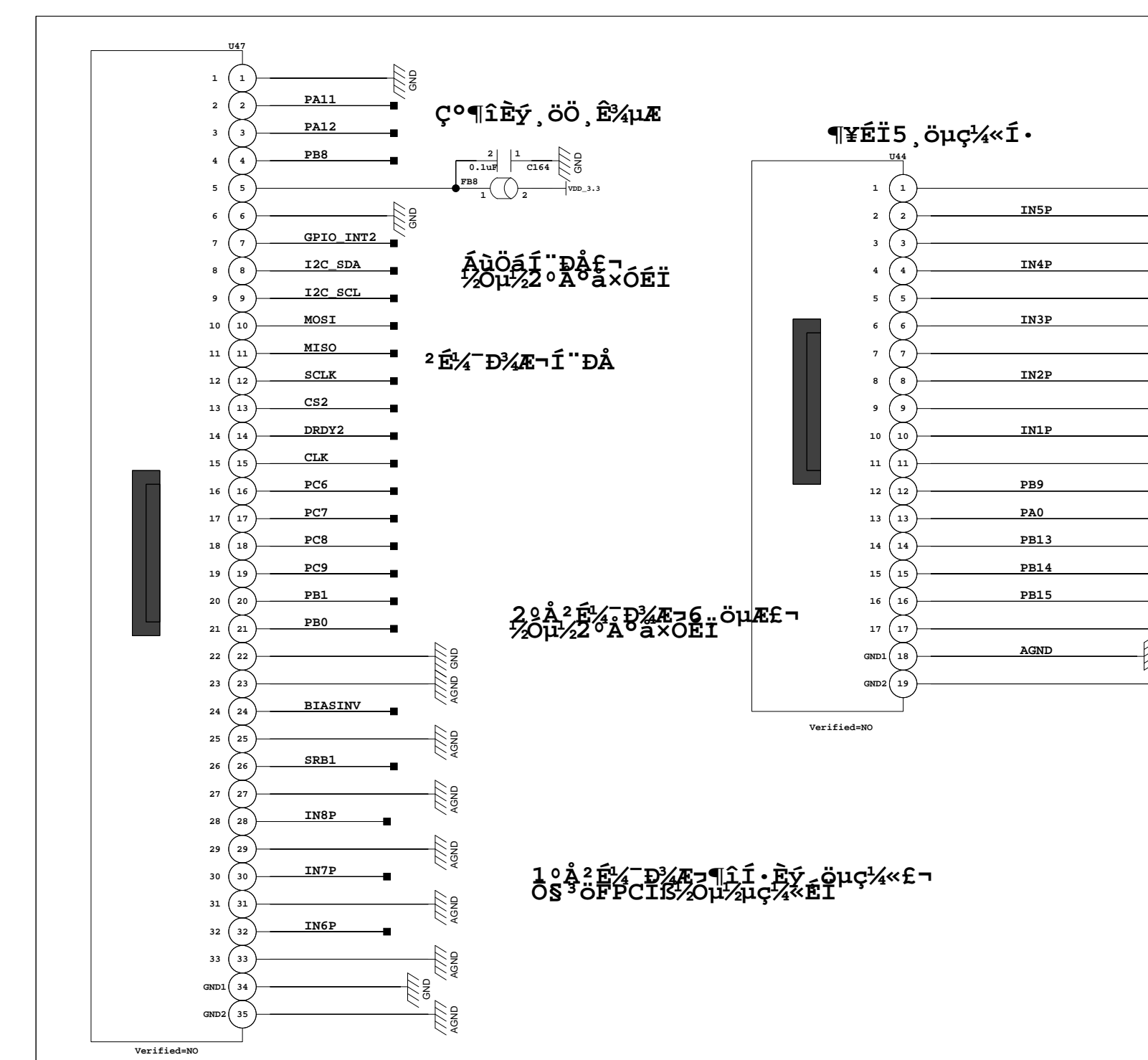
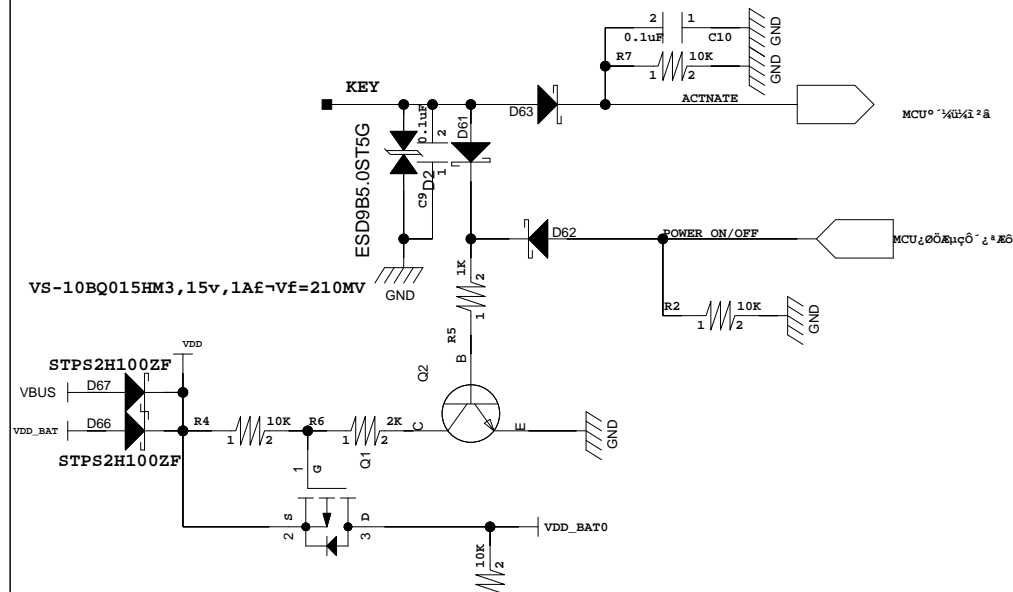
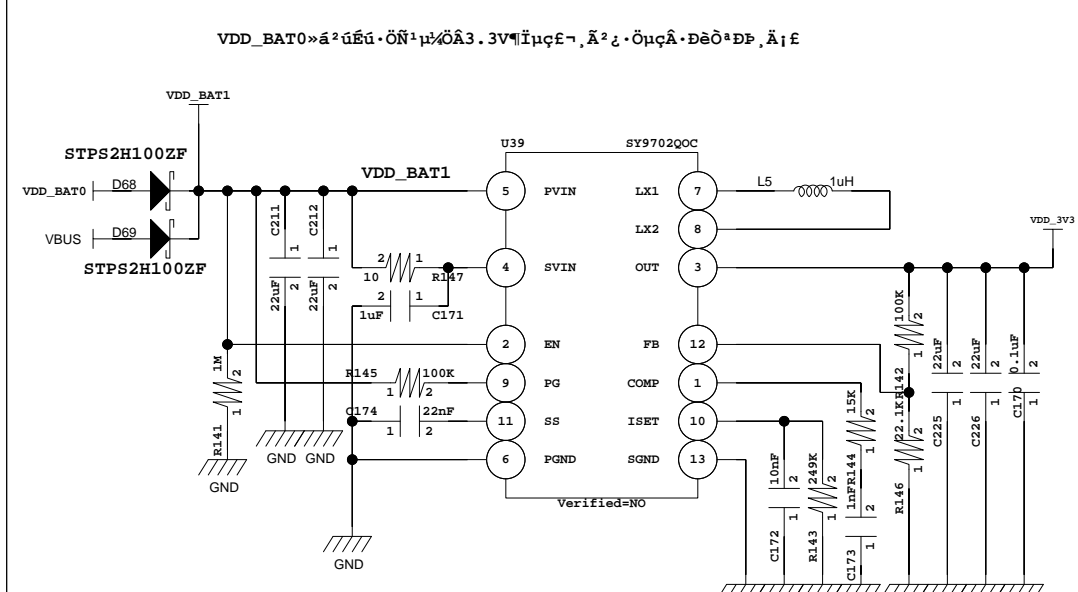
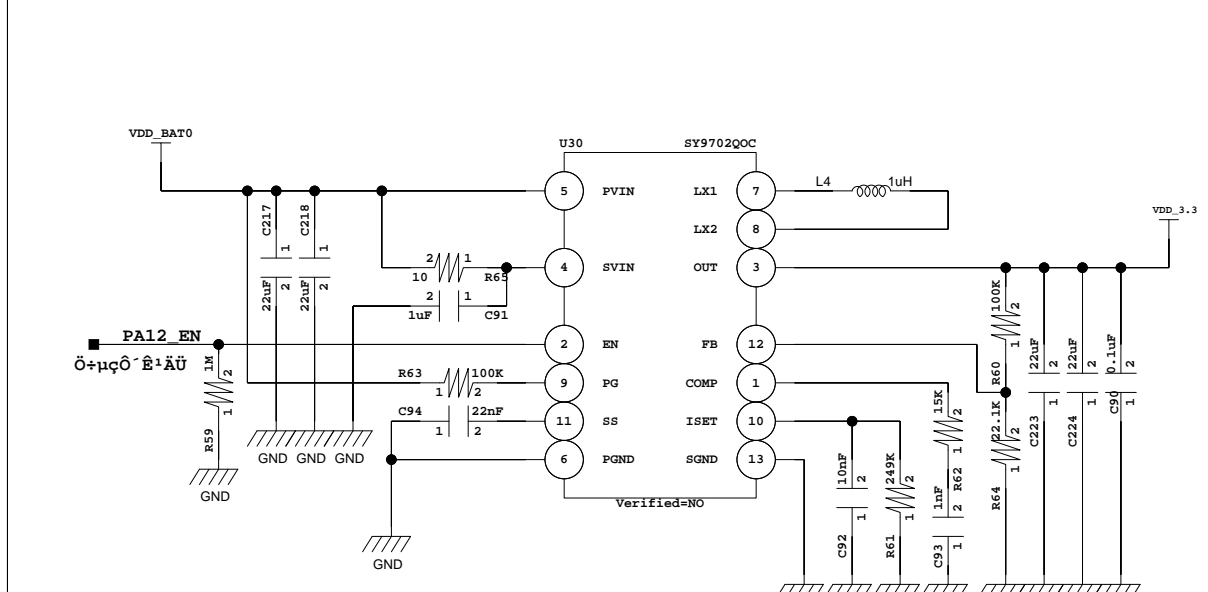
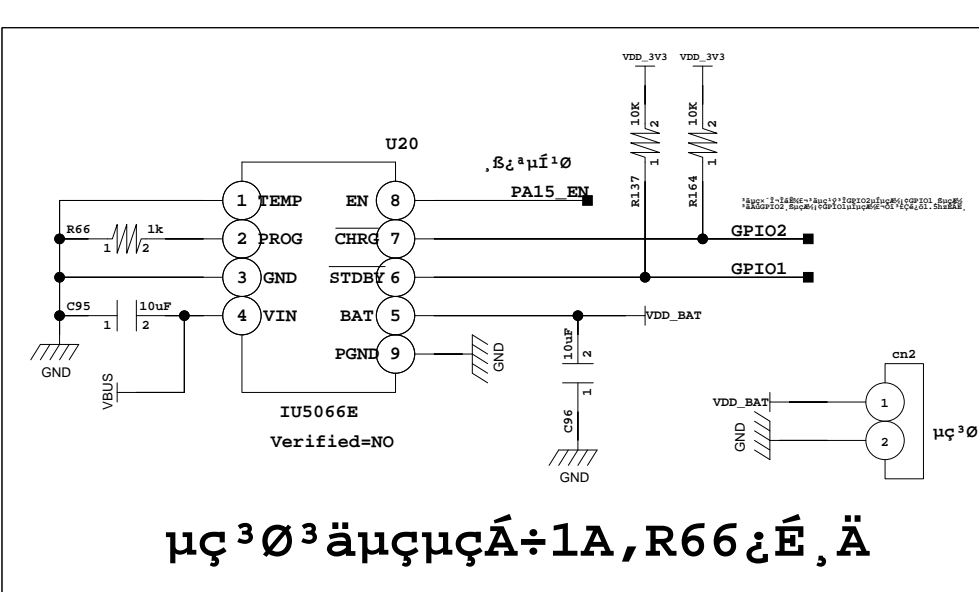
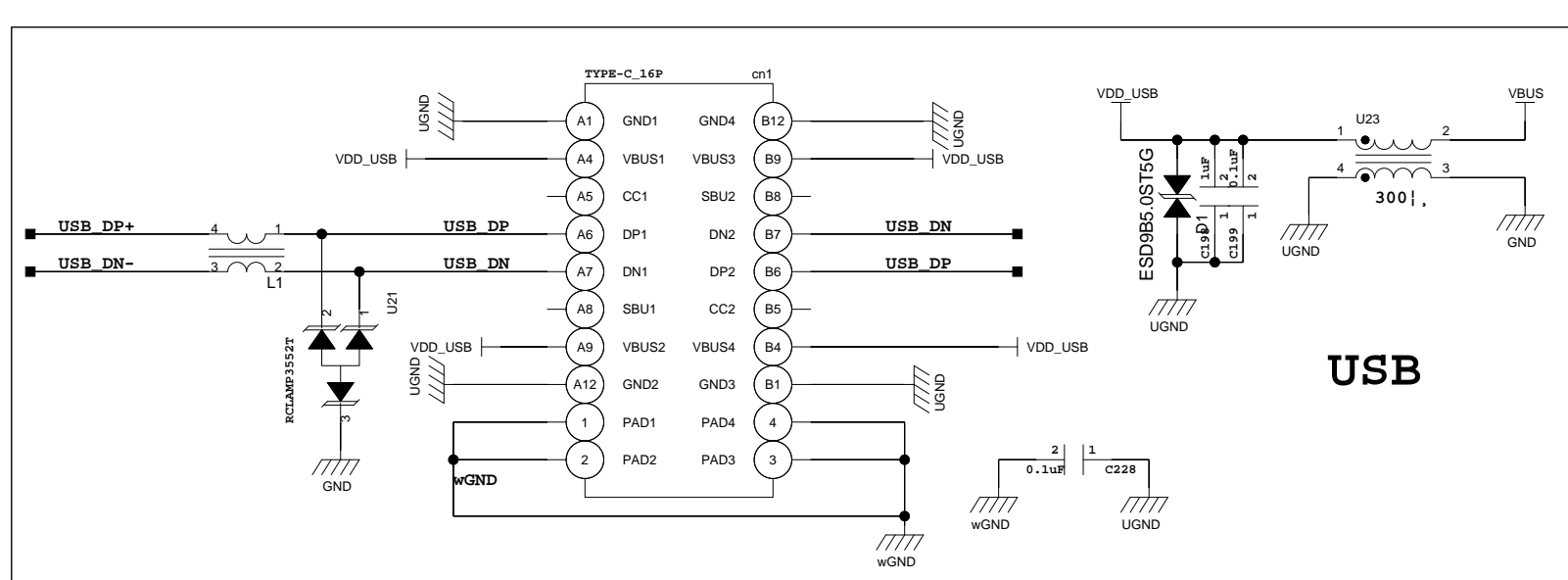
SGM2059-2.5XN5G/TR
IQ=40uA

2.5V

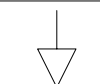
ADS1299
42mw

Hangzhou Cheng Tian Technology Development Co., Ltd.
www.roboct.com

Schematic1



8 7 6 5 4 3 2 1



D

D

C

C

B

B

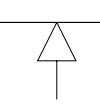
A

A

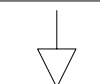
ÖD%ãfpc°ã¡ç×óÓð×¥£¬°ã°Å£°HCT138V01

Hangzhou Cheng Tian Technology Development Co., Ltd.	
www.robot.com	
TITLE	
Schematic1	
SIZE	D
SCALE	5 5
DATE	06/12/2023:14:35

8 7 6 5 4 3 2 1



8 7 6 5 4 3 2 1



D

D

C

C

B

B

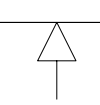
A

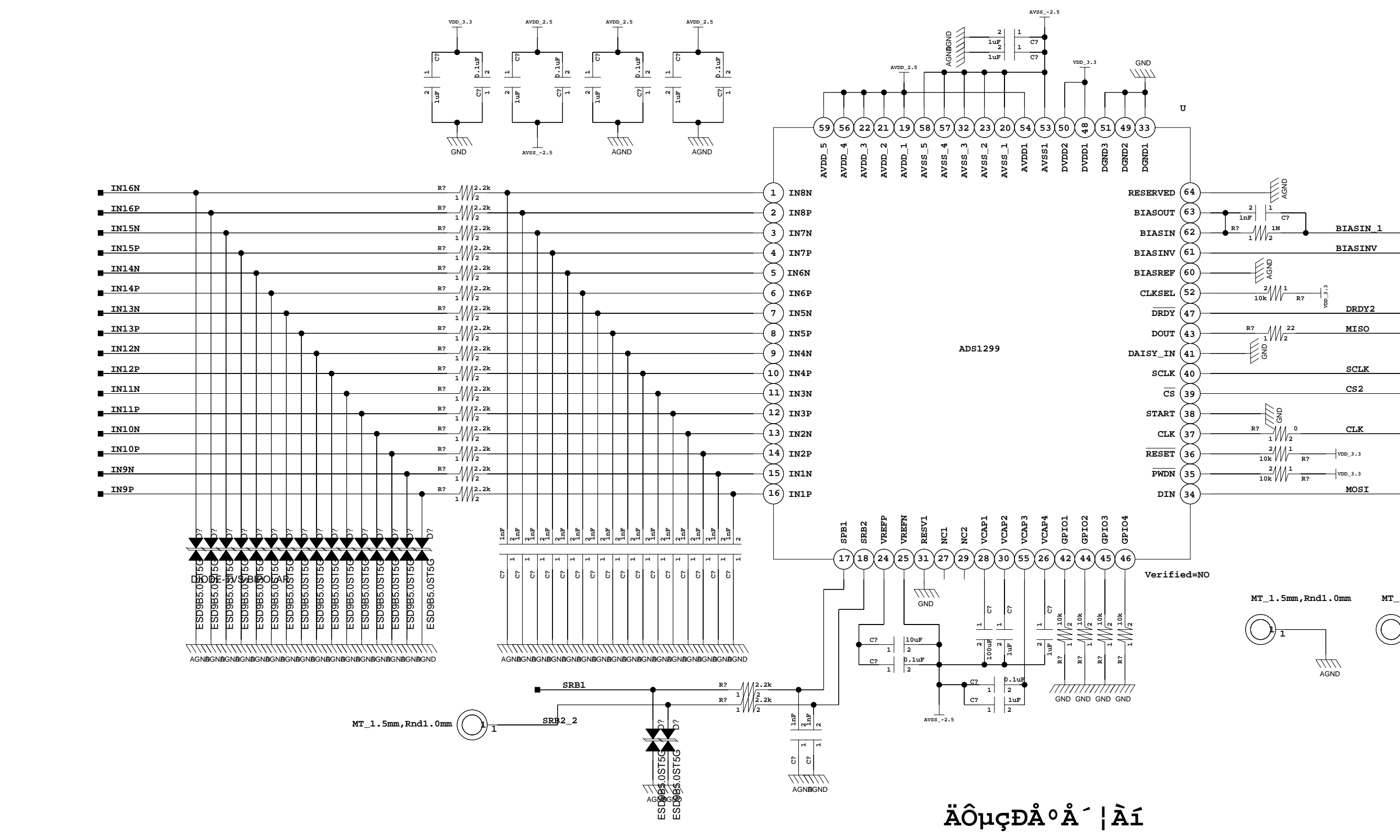
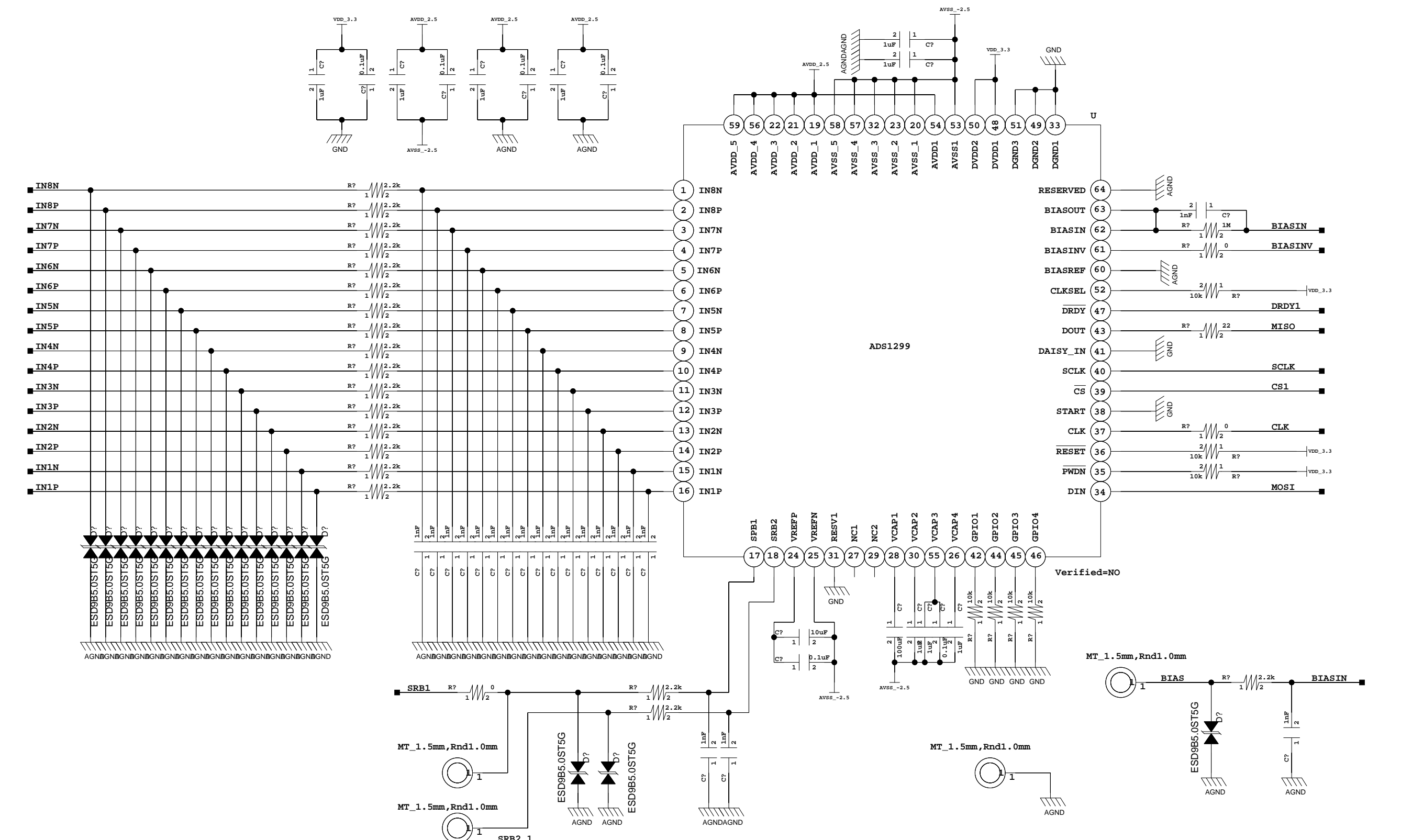
A

×ó²àÐÀ°Å²É¼°à£-°à°Å£°HCT140V01

Hangzhou Cheng Tian Technology Development Co., Ltd.	
www.robot.com	
TITLE	
DSHEET	
SIZE	D
SCALE	1:1
SHEET	4 of 5
06/12/2023:14:35	

8 7 6 5 4 3 2 1





ΑΩμϕΔ°Å | Åı