

DAC8742H Evaluation Module

This user's guide describes the characteristics, operation, and use of the DAC8742H evaluation board (EVM). This user's guide also discusses the proper setup and configuration of both software and hardware, and reviews various aspects of program operation. A complete circuit description, schematic diagram, and bill of materials are also included in this document.

Contents

1	Overview	3
	1.1 DAC8742HEVM Kit Contents	3
	1.2 Related Documentation From Texas Instruments	3
2	DAC8742HEVM Hardware Setup	4
	2.1 DAC8742H Hardware Theory of Operation	4
	2.2 USB2ANY Signal Definition	5
3	DAC8742HEVM Software Setup	6
	3.1 Operating Systems for DAC8742HEVM Software.....	6
	3.2 DAC8742H Software Installation	6
4	DAC8742HEVM Hardware Overview	7
	4.1 Electrostatic Discharge Warning.....	7
	4.2 Connecting the Hardware.....	7
	4.3 DAC8742HEVM Power Configurations	7
	4.4 DAC8742H Reference Connection	8
	4.5 Digital Inputs.....	8
	4.6 Clock Configuration.....	9
	4.7 HART/PAFF Shunt Selection	10
5	DAC8742HEVM Software Overview	11
	5.1 Starting the DAC8742HEVM Software	11
	5.2 DAC8742HEVM Software Features	12
6	DAC8742HEVM Documentation	16
	6.1 DAC8742HEVM Board Schematic.....	17
	6.2 DAC8742HEVM PCB Components Layout.....	18
	6.3 DAC8742H Test Board Bill of Materials.....	19

List of Figures

1	DAC8742HEVM Hardware Setup	4
2	DAC8742H Test Board Block Diagram	4
3	Launching Software Setup	6
4	DAC8742HEVM GUI Location.....	11
5	DAC8742HEVM GUI – Power On	11
6	DAC8742H EVM Software Page Selection	12
7	Low Level Configuration Page.....	13
8	Low Level Configuration Page Available Options.....	13
9	High Level Configuration Page	14
10	MODE Section.....	15
11	DAC8742HEVM Digital Input Selection	15
12	HART/PAFF Write/Read Control and Indicator Section.....	16
13	DAC8742HEVM Board Schematic.....	17

14	DAC8742HEVM PCB Components Layout	18
----	---	----

List of Tables

1	Contents of DAC8742H Kit	3
2	Related Documentation	3
3	J2 USB2ANY and Digital Signal Definition	5
4	Default Jumper Settings	7
5	DAC8742HEVM Power Supply Configuration	7
6	DAC8742HEVM Reference Connection	8
7	Digital Signal Definition	8
8	J6 Digital Signal Definition.....	8
9	Clock Configuration.....	9
10	XTAL1 and XTAL2 Configuration Settings	9
11	Internal Mode Shunt Selection	10
12	External Filter Mode With Internal REF Shunt Selection	10
13	DAC8742H Test Board Bill of Materials	19

Trademarks

Microsoft, Windows are registered trademarks of Microsoft Corporation.
 LabVIEW is a trademark of National Instruments Corporation.
 All other trademarks are the property of their respective owners.

1 Overview

This EVM features the DAC8742H device, which is a *Highway Addressable Remote Transducer* (HART), *FOUNDATION Fieldbus* (FF), and *Profibus process automation* (PA) compliant low-power frequency-shift keying (FSK) modem designed for industrial process control and industrial automation applications. The device includes an integrated receive band-pass filter, flexible clocking options and can operate from a 1.8- to 5.5-V range. The wide temperature range, -55°C to 125°C , and low quiescent current make this device an ideal candidate for smart transmitters, programmable-logic controller (PLC) I/O modules, and other industrial process-control applications.

1.1 DAC8742HEVM Kit Contents

Table 1 details the contents of the kit. Contact the TI Product Information Center or visit the Texas Instruments E2E Community (<http://E2E.ti.com>) if any component is missing. TI highly recommends that the user verify the latest versions of the related software at the TI website, www.ti.com.

Table 1. Contents of DAC8742H Kit

Item	Quantity
DAC8742HEVM PCB evaluation board	1
USB2ANY	1

1.2 Related Documentation From Texas Instruments

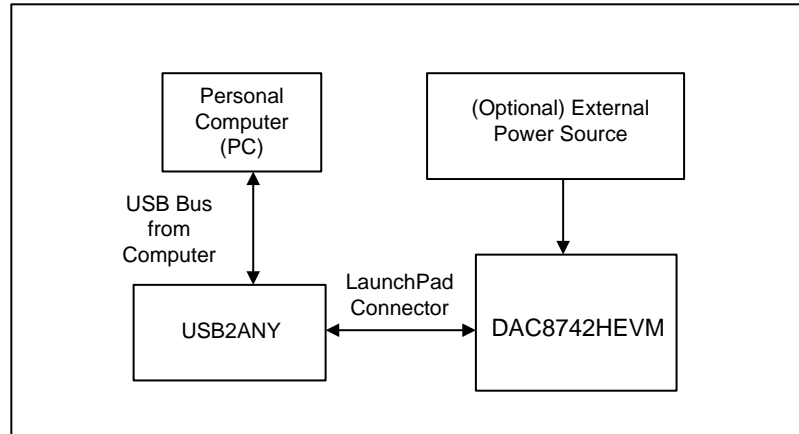
The following document provides information regarding Texas Instruments integrated circuits used in the assembly of the DAC8742HEVM. This user's guide is available from the TI web site under literature number SLAU700. Any letter appended to the literature number corresponds to the document revision that is current at the time of the writing of this document. Newer revisions may be available from the TI web site at <http://www.ti.com/>, or call the Texas Instruments Literature Response Center at (800) 477-8924 or the Product Information Center at (972) 644-5580. When ordering, identify the document by both title and literature number.

Table 2. Related Documentation

Document	Literature Number
DAC8742H data sheet	SBAS856
USB2ANY	SBOU136

2 DAC8742HEVM Hardware Setup

This section provides the overall system setup for the EVM. A PC runs software that communicates with the USB2ANY platform, which generates the optional IOVDD or AVDD power and digital signals used to communicate with the EVM board. Test point connections are included on the EVM board for external power supplies. [Figure 1](#) displays the DAC8742HEVM system setup.

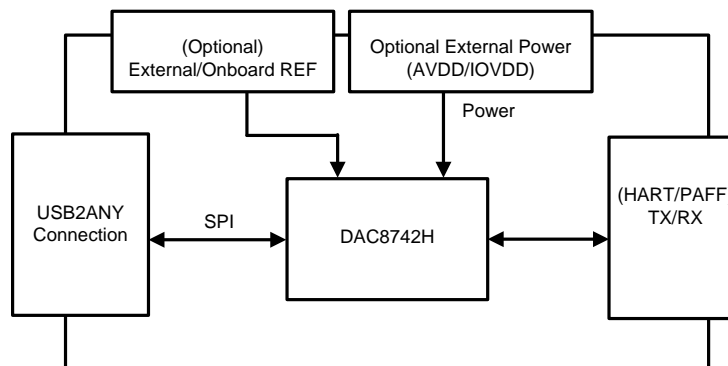


Copyright © 2017, Texas Instruments Incorporated

Figure 1. DAC8742HEVM Hardware Setup

2.1 DAC8742H Hardware Theory of Operation

A block diagram of the DAC8742HEVM PCB board is displayed in [Figure 2](#). The EVM board provides an interface to optional external supplies, an external reference, and a USB2ANY connection for serial peripheral interface (SPI) and universal asynchronous receiver and transmitter (UART) communication.



Copyright © 2017, Texas Instruments Incorporated

Figure 2. DAC8742H Test Board Block Diagram

2.2 USB2ANY Signal Definition

The DAC8742HEVM provides a hardware connector (J2) that connects to the USB2ANY interface board, which can supply IOVDD and AVDD power and is responsible for providing the SPI or UART commands sent from the PC GUI software. Optionally, provide the AVDD and IOVDD supply through an external supply, and access all digital communication lines through their respective digital test points. This information is provided in [Table 3](#).

Table 3. J2 USB2ANY and Digital Signal Definition

Pin On J2	Signal	Description
2	COM_SELECT	Select between SPI or UART
4, 6, 8, 16, 27, 28	GND	\overline{CS} general purpose I/O
12	CS_GPIO6	SPI, \overline{CS} , or general purpose I/O
13	RXD_MISO	UART RXD or SPI MISO
14	TXD_MOSI	UART TXD or SPI MOSI
15	USB 3.3V	3.3-V USB power
18	SCLK_GPIO2	SPI SCLK or general purpose I/O
25	REF_EN	DAC8742H reference enable
26	IF_SEL	DAC8742H IF_SEL pin
29	BPF_EN	General purpose I/O
30	\overline{RST}	DAC8742H rest Line

3 DAC8742HEVM Software Setup

This section provides the procedures for software installation.

3.1 Operating Systems for DAC8742HEVM Software

The EVM software has been tested on the Microsoft® Windows® XP and Windows 7 operating systems with the United States and European regional settings. The software should also be compatible with other Windows operating systems.

3.2 DAC8742H Software Installation

The software is available through the EVM product folder on the TI website. Once the software is downloaded onto the PC, navigate to the *DAC8742HEVM* folder, and run the *setup.exe* file, as shown in [Figure 3](#). When the software is launched, an installation dialog will open, and prompt the user to select an installation directory. If left unchanged, the software location defaults to *C:\Program Files (x86)\DAC8742HEVM*.

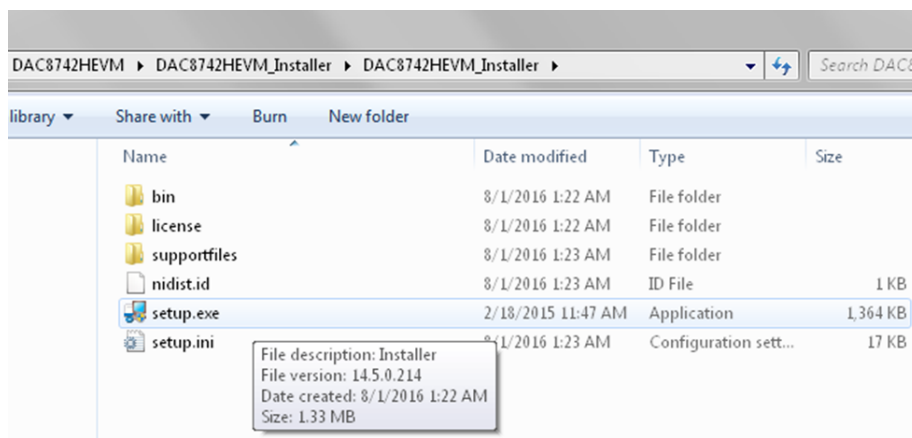


Figure 3. Launching Software Setup

The software installation will automatically copy the required LabVIEW™ software files and drivers to the local machine.

NOTE: Verify that the USB2ANY is not connected before the software installation, as this may affect file or driver installation.

4 DAC8742HEVM Hardware Overview

The subsequent sections provide detailed information on the EVM hardware, and jumper configuration settings. [Table 4](#) displays the default configurations of all jumper connections on the DAC8742HEVM. Connect the USB extender cable from the USB2ANY to the PC.

Table 4. Default Jumper Settings

Jumper	Position	Description
JP1	Shunt on 1 – 2	HART: Connects to 3.6864-MHz external crystal
JP2	Shunt on 1 – 2	HART: Connects to 3.6864-MHz external crystal
JP4	Shunt on 2 – 3	Connects TS5N412PW device
JP5	Populate	HART: Connects IOVDD to AVDD for single supply operation
JP6	Shunt on 1 – 2	Connects IOVDD to USB2ANY 3.3-V supply
JP8	Populate	HART: Connects to 0.022- μ F load capacitor
JP9	Shunt on 2 – 3	HART: Connects to MOD_IN
JP10	Shunt on 2 – 3	HART: Connects to 2200 pF
JP11	Shunt on 1 – 2	HART: Connects to 2200 pF
JP14	Shunt on 2 – 3	CLK_CFG1 set to GND
JP16	Shunt on 5 – 6	HART: Connects to 680 pF
JP17	Populate	CLK_CFG0 set to GND
JP20	Shunt on 1 – 2	/XEN set to GND

4.1 Electrostatic Discharge Warning

Many of the components on the DAC8742HEVM are susceptible to damage by electrostatic discharge (ESD). Customers are advised to observe proper ESD handling precautions when unpacking and handling the board, including the use of a grounded wrist strap at an approved ESD workstation.

4.2 Connecting the Hardware

To connect the USB2ANY to the EVM board, align and firmly connect the keyed ribbon connector to the J2 connector. Verify the connection is snug, as loose connections may cause intermittent operation.

4.3 DAC8742HEVM Power Configurations

The DAC8742HEVM provides electrical connections to the device supply pins. The connectors and optional configurations are shown in the [Table 5](#).

Table 5. DAC8742HEVM Power Supply Configuration

Connector	Connection Type	Description
J3	AVDD terminal block	Connects external supply to AVDD net
J4	IOVDD terminal block	Connects external supply to IOVDD net
JP5	Shunt connection	Connects AVDD to IOVDD
JP6	Shunt (1 – 2)	Connects USB2ANY 3.3 V to IOVDD
	Shunt (2 – 3)	Connects IOVDD net to J4 terminal block

USB2ANY can supply IOVDD and AVDD by populating the JP6 shunt to position (1 – 2) and connecting shunt J5.

4.4 DAC8742H Reference Connection

The DAC8742HEVM connects to an optional external reference through the J5 terminal block, or it can be supplied by the internal reference of the DAC8742H device (see [Table 6](#)).

Table 6. DAC8742HEVM Reference Connection

Connector	Connection Type	Description
J5	REF Terminal Block	Connects external reference to REF net
JP7	Populate	Connects external reference to REF net

4.5 Digital Inputs

The digital communication lines of the DAC8742H device can be accessed through the USB2ANY header connection (J2) or the J6 header block, which are listed in [Table 7](#) and [Table 8](#), along with the digital input signals of the DAC8742H device.

Table 7. Digital Signal Definition

Name	Connector	Description
JP13	IF_SEL	(1 – 2) IOVDD: SPI mode
		(2 – 3) GND: UART mode
JP15, JP17	CLK_CFG0	(JP15 – closed, JP17 – open): CLK_CFG0 set to IOVDD
		(JP15 – open, JP17 – closed): CLK_CFG0 set to GND
		(JP15 – closed, JP17 – closed): CLK_CFG0 set to (0.5) IOVDD
JP14	CLK_CFG1	(1 – 2) CLK_CFG1 set to IOVDD
		(2 – 3) CLK_CFG1 set to GND
JP20	/XEN	(1 – 2) GND: external crystal
		(2 – 3) IOVDD: external oscillator or internal oscillator required
JP19	REF_EN	(1 – 2) GND: external reference
		(2 – 3) IOVDD: internal reference
JP18	BPF_EN	(1 – 2) GND: external bandpass required
		(2 – 3) IOVDD: internal bandpass filter

Table 8. J6 Digital Signal Definition

Name	Connector
J6-1	UART_OUT/SDO
J6-2	DUPLEX/SDI
J6-3	/UART_RTS/SCLK
J6-4	UART_IN/CS
J6-5	CD/IRQ
J6-6	/RST
J6-7	IOVDD
J6-8	GND

NOTE: Control the REF_EN, BPF_EN, and IF_SEL lines through the GUI.

The DAC8742H data sheet lists acceptable clock configurations, and they are also listed in [Table 9](#) for reference.

4.6 Clock Configuration

The DAC8742H device supports a variety of clocking options in order to provide system flexibility and reduce overall current consumption in HART applications. The clocking options include: an internal oscillator (HART mode only), an external crystal oscillator, or an external CMOS clock.

Configure clock selection via the XEN, CLK_CFG1, and CLK_CFG0 pins (see [Table 9](#)).

Table 9. Clock Configuration

XEN	CLK_CFG1	CLK_CFG0	CLKO	Description	Mode
1	0	0	No output	3.6864-MHz CMOS clock connected at XTAL1	HART
1	0	1	No output	1.2288-MHz CMOS clock connected at XTAL1	
1	1	0	No output	Internal oscillator enabled	
1	1	1	1.2288-MHz output	Internal oscillator enabled, CLKO enabled	
0	0	0	No output	Crystal oscillator enabled	
0	0	1	3.6864-MHz output	3.6864-MHz crystal oscillator, CLKO enabled	
0	1	0	1.8432-MHz output	1.8432-MHz crystal oscillator, CLKO enabled	
0	1	1	1.2288-MHz output	1.2288-MHz crystal oscillator, CLKO enabled	
1	0	0.5 × IOVDD	No output	4-MHz CMOS clock connected at XTAL1	FOUNDATION Fieldbus and PROFIBUS PA
1	1	0.5 × IOVDD	No output	2-MHz CMOS clock connected at XTAL1	
0	0	0.5 × IOVDD	No output	4-MHz crystal oscillator	
0	1	0.5 × IOVDD	4-MHz output	4-MHz crystal oscillator, CLKO enabled	

The XTAL1 and XTAL2 pins of the DAC8742H device are also configurable through the JP1, JP2, and J1 jumpers (see [Table 10](#)).

Table 10. XTAL1 and XTAL2 Configuration Settings

Jumper	Description
JP1	(1 – 2) 3.686-MHz crystal
	(2 – 3) 4-MHz crystal
JP2	(1 – 2) 3686-MHz crystal
	(2 – 3) 4-MHz crystal
J1	Optional CMOS clock connection

4.7 HART/PAFF Shunt Selection

The DAC8742HEVM includes various options in allowing the user to connect to an external filter or external reference. Additionally, these external options can be bypassed as the DAC8742H device includes an internal HART/PAFF filter, as well as an internal reference. The following configurations display the jumper configurations required for external filter use or internal filter operation.

4.7.1 Internal Mode

Table 11 lists the internal mode shunt selection.

Table 11. Internal Mode Shunt Selection

Jumper	Position	Description
JP8	CLOSED/HART	HART: Connects to 0.022- μ F load capacitor
	OPEN/PAFF	
JP9	(1 – 2) HART/PAFF	Connects MODINF to MOD_IN terminal block J7
JP10	(1 – 2) PAFF	HART: Connects to 2200 pF
	(2 – 3) HART	PAFF: Connects to 2700 pF
JP11	(1 – 2) HART	HART: Connects to 2200 pF
	(2 – 3) PAFF	PAFF: Connects to 2700 pF
JP12	(1 – 2) HART/PAFF	Connects MODINF to MOD_IN terminal block J7
JP16	(5 – 6) HART	HART: Connects to 680 pF
	(7 – 8) PAFF	PAFF: Connects to 120 pF

4.7.2 External Mode With Internal REF

Table 12 lists the external filter mode with internal REF shunt selection.

Table 12. External Filter Mode With Internal REF Shunt Selection

Jumper	Position	Description
JP8	CLOSED/HART	HART: Connects to 0.022- μ F load capacitor
	OPEN/PAFF	
JP9	(1 – 2) HART	Connects MODINF to MOD_IN terminal block J7
	(2 – 3) PAFF	
JP12	(1 – 2) HART	Connects MODINF to MOD_IN terminal block J7
	(2 – 3) PAFF	
JP16	(3 – 4) HART	HART: Connects to 150-k filter network
	(1 – 2) PAFF	PAFF: Connects to 27-k filter network

5 DAC8742HEVM Software Overview

This section discusses how to use the DAC8742HEVM software.

5.1 Starting the DAC8742HEVM Software

Once the DAC8742H EVM software is installed, the PC may have to be restarted. To launch the software, locate the Texas Instruments folder in the *All Programs* menu and select the *DAC8742H EVM* icon.

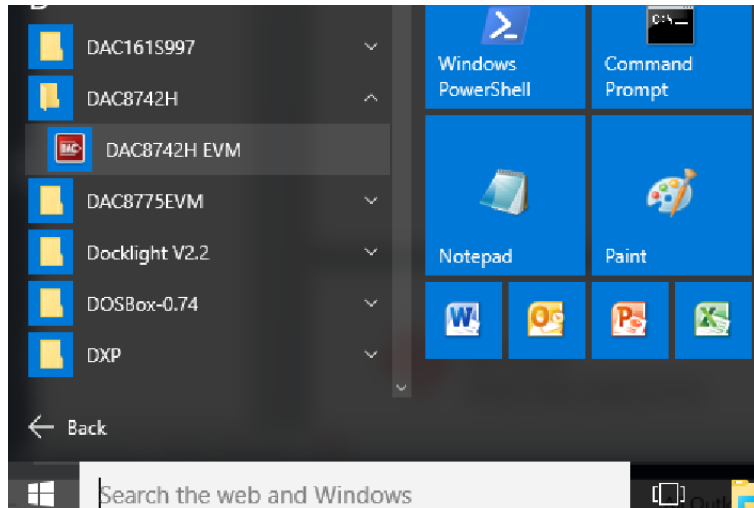


Figure 4. DAC8742HEVM GUI Location

This section describes the features of the DAC8742H EVM software. The software, as shown in [Figure 4](#), provides basic control of all the registers and functions to the DAC8742H device. If the USB2ANY is correctly connected, the STATUS displays "HARDWARE CONNECTED". If the USB2ANY is not properly connected or not connected at all, the STATUS displays "DEMO". If the GUI is not displaying the "CONNECTED" status while the USB2ANY is connected, unplug and reconnect the USB2ANY and re-launch the GUI software.



Figure 5. DAC8742HEVM GUI – Power On

5.2 DAC8742HEVM Software Features

The DAC8742H EVM incorporates interactive functions that help configure the DAC8742H device. These functions are built into several GUI pages, as shown in [Figure 6](#). The *Page Selection* menu allows the user to switch between the pages; each page representing a feature of the software.

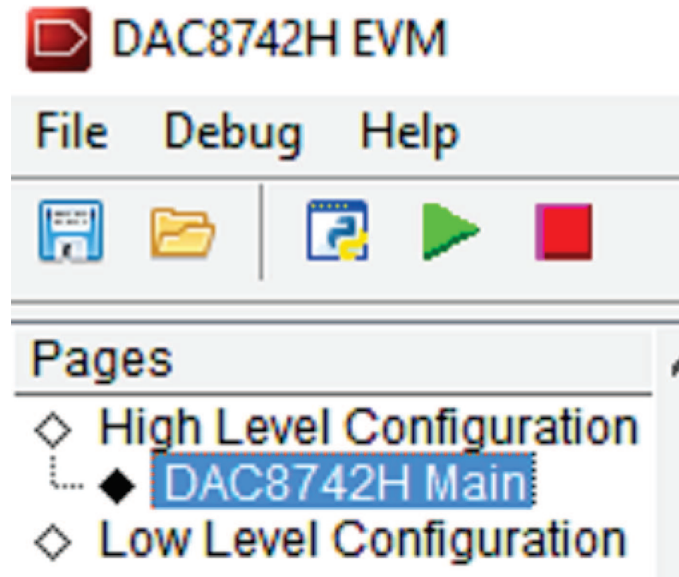


Figure 6. DAC8742H EVM Software Page Selection

5.2.1 DAC8742HEVM Low Level Configuration Page

The DAC8742H EVM *Register Map* page (Figure 7) allows the user to access low-level communication directly with the DAC8742H registers. Selecting a register on the Register Map list will present a description of the values in that register as well as show information on the address, default value, size, and current value of the register. Values are read and written to the registers by writing to the “Value” or bit field of the GUI.

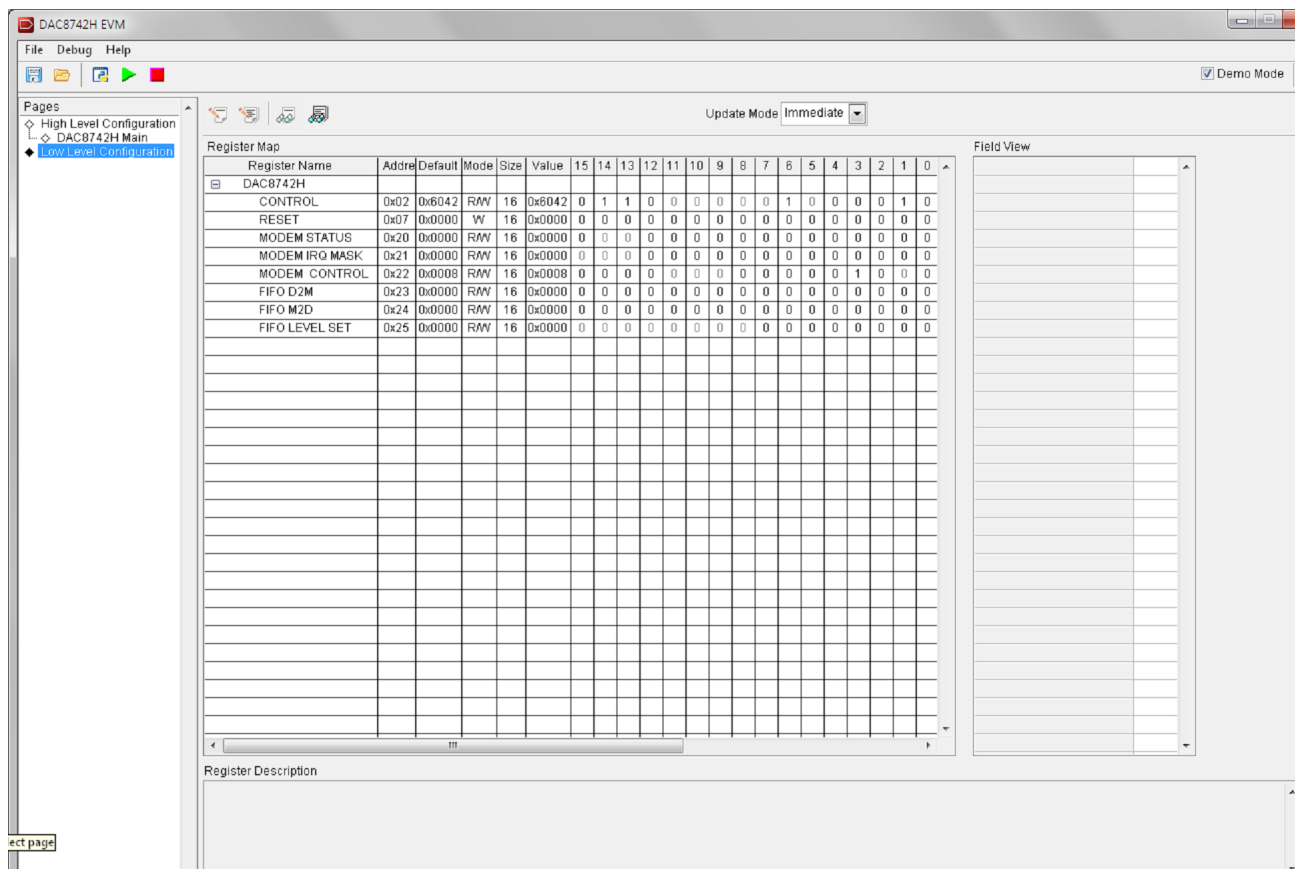


Figure 7. Low Level Configuration Page

The values of the register map can also be saved by pressing the *Save Configuration* button under the *File* menu option. Additionally, the configuration files are accessed through the *Load Configuration* button.

Other options selectable by the user are the *Update Mode*, *Write Selected* (red box), *Read Selected* (orange box), *Write Modified* (gray box) and *Read All* (yellow box) buttons. All buttons are displayed in Figure 8.



Figure 8. Low Level Configuration Page Available Options

If *Update Mode* is selected to “Immediate”, all changes to register values update immediately, while “Deferred” allows the user to modify the value of a register without taking effect until the *Write Selected*, or *Write Modified* button is pressed.

The *Read Selected* button allows individual register reads, while the *Read All* button reads the status of all registers located in the register map.

5.2.2 DAC8742HEVM High Level Configuration Page

The *High Level Configuration* page provides an interface to observe and control the different data registers, modes, and configurations available for the DAC8742H device. [Figure 9](#) displays this page.

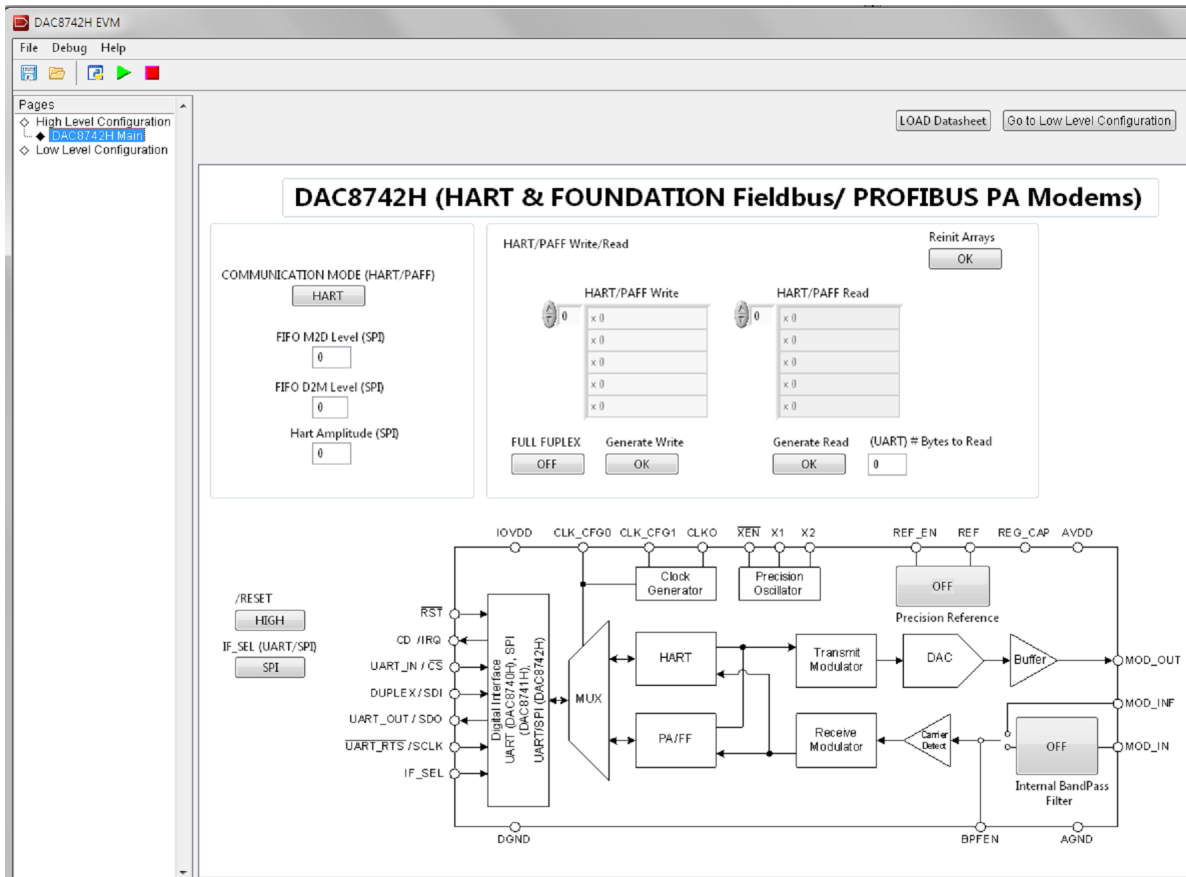


Figure 9. High Level Configuration Page

This page is broken into three sections responsible for different modes of communication (UART/SPI), as well as HART or PAFF mode of operation.

The first section is responsible for choosing the form of digital communication. The COMMUNICATION MODE panel is responsible for selecting between HART and PAFF. The remaining three input controls are only operable in SPI, but are used to modify the FIFO level set register (0x25) and TX_AMP parameter of the MODEM CONTROL register (0x22). The FIFO levels set register is responsible for programming the alarm thresholds for both transmit and receive FIFOs. The Hart Amplitude (TX_AMP) input control allows the user to input an unsigned binary value that controls the amplitude (HART mode only) of the transmitted waveform in 25-mVpp steps.

The panel to the aforementioned text is shown in [Figure 10](#).

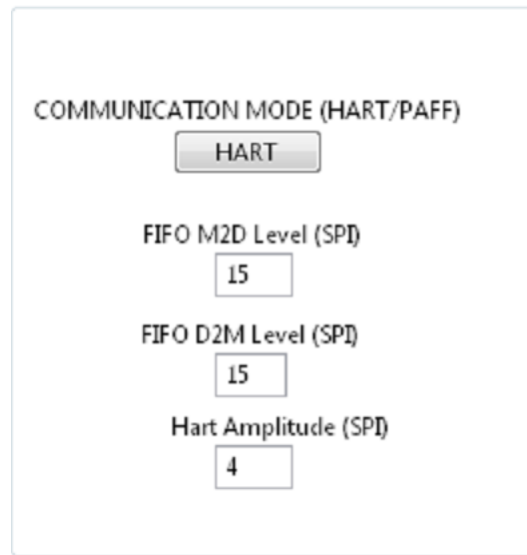


Figure 10. MODE Section

The second section displays the state to several digital inputs of the DAC8742HEVM device. Such digital inputs include the /RESET, IF_SEL, REF_EN, and BPFEN pin. These buttons are shown in [Figure 11](#), highlighted with yellow boxes.

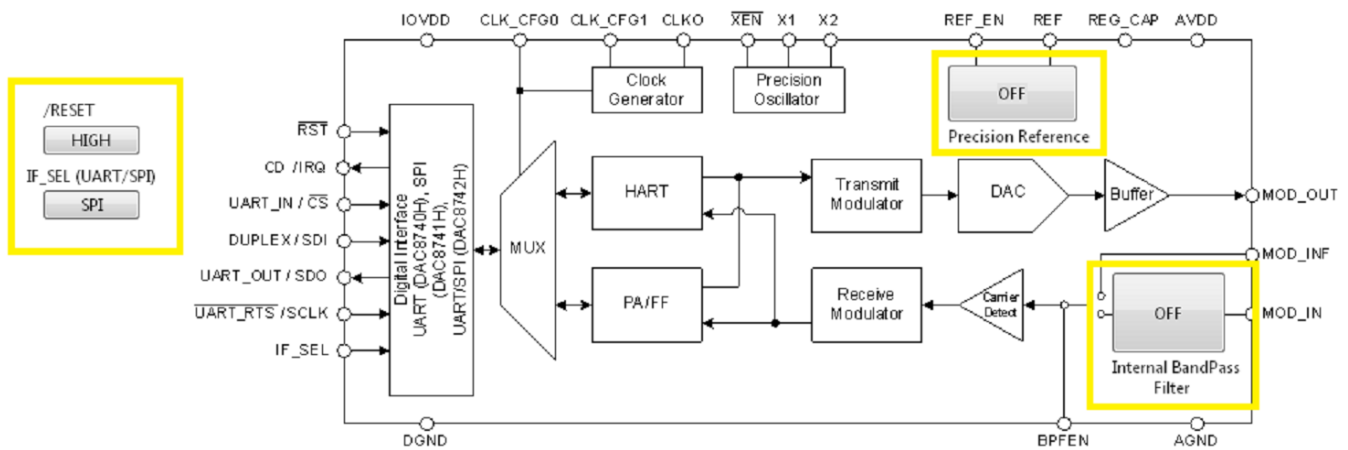


Figure 11. DAC8742HEVM Digital Input Selection

The third and final section displays the HART or PAFF Write and Read control and indicator fields. Once the mode is selected (shown in section 1) with the desired communication method (SPI, or UART), the user can then input a valid HART/PAFF 8-bit hexadecimal array to write over the HART/PAFF BUS (Red Box). The maximum amount of elements that can transfer to the internal FIFO are 15; therefore, the number of elements input into the field should never exceed 15. Once the elements are input, press the *Generate Write* button (Green box), and this shifts the contents into the FIFO and transmit for the specified industrial protocol (HART/PAFF). Press the *Generate Read* button (Orange box) if you are expecting an incoming transmission to the DAC8742H device. Once pressed, the *HART/PAFF Read* field (Yellow box) will update with the captured data.

NOTE: For Read operations in UART, the user must specify the *# Bytes to Read* for proper readback operation. (Purple box).

The *Reinit Arrays* button (gray box) clears the array fields. The *FULL DUPLEX* button connects TX FIFO to RX FIFO.

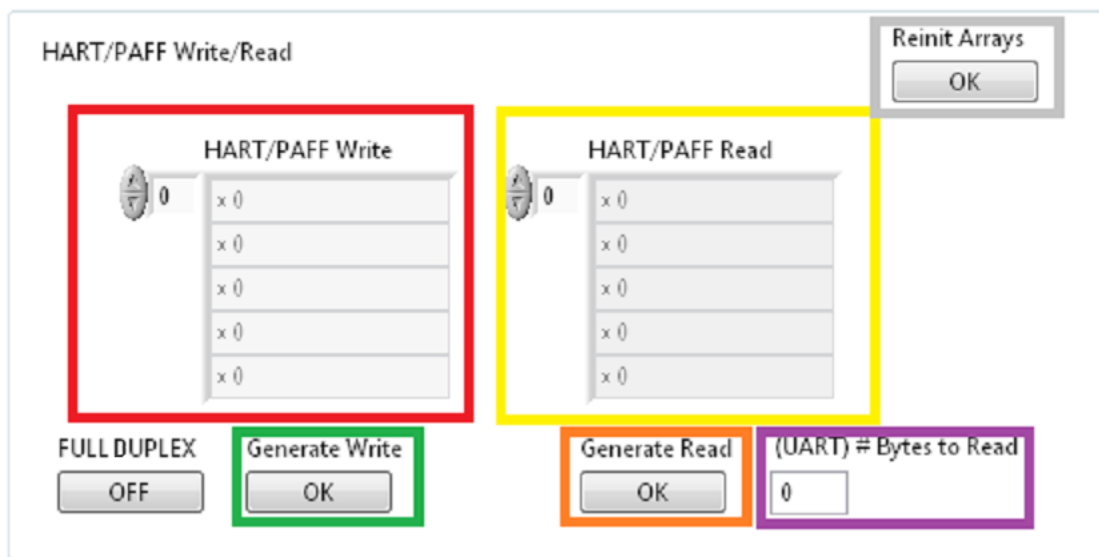


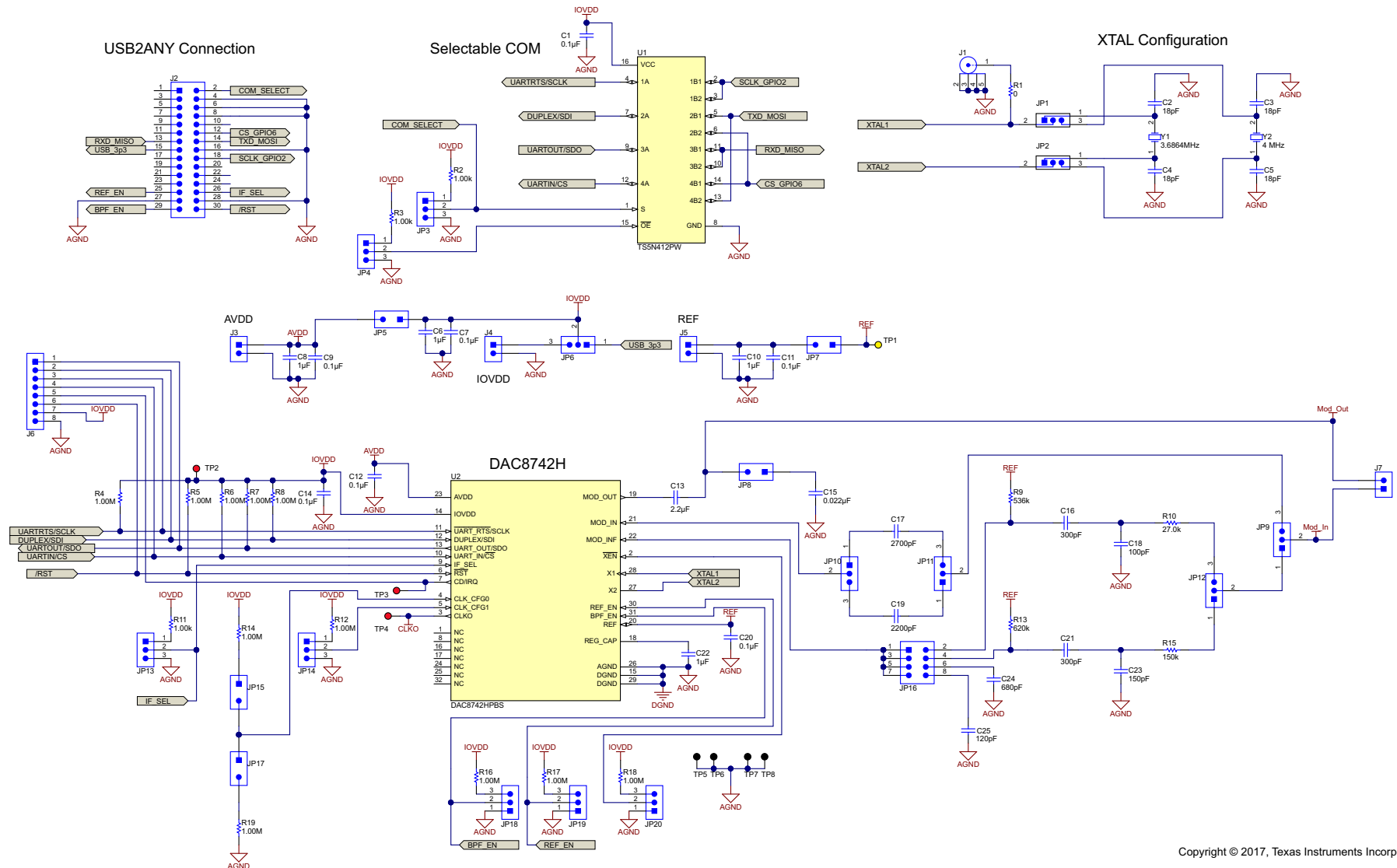
Figure 12. HART/PAFF Write/Read Control and Indicator Section

6 DAC8742HEVM Documentation

This section contains the complete bill of materials and schematic diagram for the DAC8742HEVM. Documentation information for the USB2ANY platform is found in the [USB2ANY Platform User's Guide](#).

6.1 DAC8742HEVM Board Schematic

Figure 13 illustrates the DAC8742HEVM board schematic.

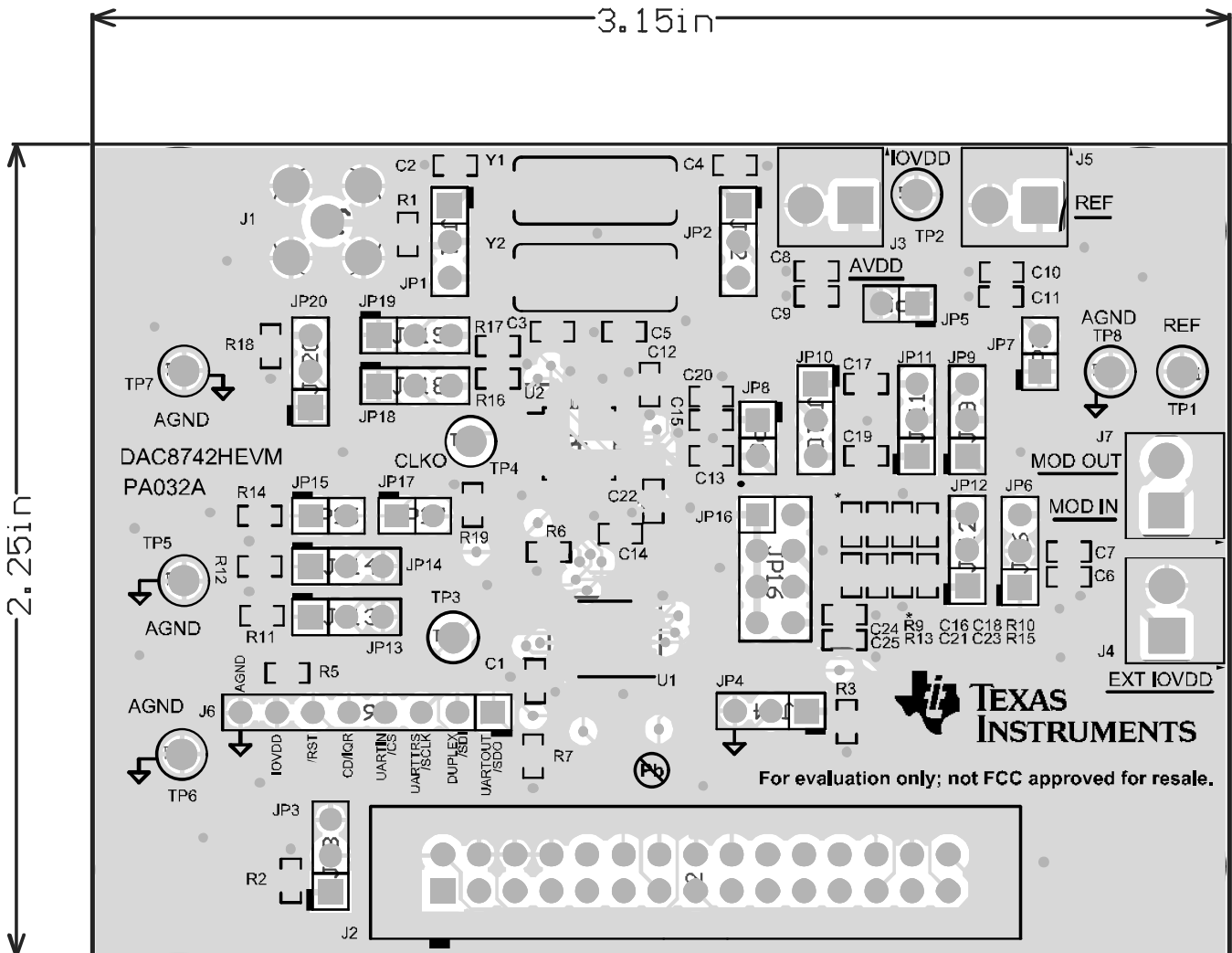


Copyright © 2017, Texas Instruments Incorporated

Figure 13. DAC8742HEVM Board Schematic

6.2 DAC8742HEVM PCB Components Layout

Figure 14 shows the layout of the components for the DAC8742HEVM board.



Copyright © 2017, Texas Instruments Incorporated



Figure 14. DAC8742HEVM PCB Components Layout

6.3 DAC8742H Test Board Bill of Materials

Table 13 lists the DAC8742H BOM.

Table 13. DAC8742H Test Board Bill of Materials

Designator	Quantity	Value	Description	Package Reference	Part Number	Manufacturer	Alternate Part Number	Alternate Manufacturer
!PCB1	1		Printed circuit board		PA032	Any	–	–
C1, C7, C9, C11, C12, C14, C20	7	0.1 µF	Capacitor, ceramic, 0.1 µF, 25 V, ± 10%, X7R, 0603	0603	GRM188R71E104KA01D	MuRata		
C2, C3, C4, C5	4	18 pF	Capacitor, ceramic, 18 pF, 50 V, ± 5%, COG/NPO, 0603	0603	GRM1885C1H180JA01D	MuRata		
C6, C8, C10, C22	4	1 µF	Capacitor, ceramic, 1 µF, 25 V, ± 10%, X7R, AEC-Q200 Grade 1, 0603	0603	GCM188R71E105KA64D	MuRata		
C13	1	2.2 µF	Capacitor, ceramic, 2.2 µF, 10 V, ± 10%, X7R, 0603	0603	GRM188R71A225KE15D	MuRata		
C15	1	0.022 µF	Capacitor, ceramic, 0.022 µF, 50 V, ± 10%, X7R, 0603	0603	GRM188R71H223KA01D	MuRata		
C16, C21	2	300 pF	Capacitor, ceramic, 300 pF, 50 V, ± 5%, COG/NPO, 0603	0603	GRM1885C1H301JA01D	MuRata		
C17	1	2700 pF	Capacitor, ceramic, 2700 pF, 50 V, ± 5%, COG/NPO, 0603	0603	GRM1885C1H272JA01D	MuRata		
C18	1	100 pF	Capacitor, ceramic, 100 pF, 50 V, ± 5%, COG/NPO, 0603	0603	GRM1885C1H101JA01D	MuRata		
C19	1	2200 pF	Capacitor, ceramic, 2200 pF, 50 V, ± 5%, COG/NPO, 0603	0603	GRM1885C1H222JA01D	MuRata		
C23	1	150 pF	Capacitor, ceramic, 150 pF, 50 V, ± 5%, COG/NPO, 0603	0603	GRM1885C1H151JA01D	MuRata		
C24	1	680 pF	Capacitor, ceramic, 680 pF, 50 V, ± 5%, COG/NPO, 0603	0603	C0603C681J5GACTU	Kemet		
C25	1	120 pF	Capacitor, ceramic, 120 pF, 50 V, ± 5%, COG/NPO, 0603	0603	GRM1885C1H121JA01D	MuRata		
H1, H2, H3, H4	4		Bump, Hemisphere, 0.44 x 0.20, clear	Transparent Bump	SJ-5303 (clear)	3M		
J1	1		Connector, TH, SMA	SMA	142-0701-201	Emerson Network Power		
J2	1		Header (shrouded), 2.54 mm, 15 x 2, gold, TH	Header (shrouded), 2.54 mm, 15 x 2, TH	302-S301	On-Shore Technology		
J3, J4, J5, J7	4		Terminal Block, 6 A, 3.5 mm Pitch, 2-position, TH	7.0 x 8.2 x 6.5 mm	ED555/2DS	On-Shore Technology		

Table 13. DAC8742H Test Board Bill of Materials (continued)

Designator	Quantity	Value	Description	Package Reference	Part Number	Manufacturer	Alternate Part Number	Alternate Manufacturer
J6	1		Header, 100 mil, 8 x 1, gold, TH	8 x 1 header	TSW-108-07-G-S	Samtec		
JP1, JP2, JP3, JP4, JP6, JP9, JP10, JP11, JP12, JP13, JP14, JP18, JP19, JP20	14		Header, 100 mil, 3 x 1, gold, TH	3 x 1 header	TSW-103-07-G-S	Samtec		
JP5, JP7, JP8, JP15, JP17	5		Header, 100 mil, 2 x 1, gold, TH	2 x 1 header	TSW-102-07-G-S	Samtec		
JP16	1		Header, 100 mil, 4 x 2, gold, TH	4 x 2 header	TSW-104-07-G-D	Samtec		
R1	1	0	RES, 0, 5%, 0.1 W, 0603	0603	CRCW06030000Z0EA	Vishay-Dale		
R2, R3, R11	3	1.00 k	RES, 1.00 k, 1%, 0.1 W, 0603	0603	CRCW06031K00FKEA	Vishay-Dale		
R4, R5, R6, R7, R8, R12, R14, R16, R17, R18, R19	11	1.00 Meg	RES, 1.00 M, 1%, 0.1 W, 0603	0603	RC0603FR-071ML	Yageo America		
R9	1	536 k	RES, 536 k, 1%, 0.1 W, 0603	0603	RC0603FR-07536KL	Yageo America		
R10	1	27.0 k	RES, 27.0 k, 1%, 0.1 W, 0603	0603	RC0603FR-0727KL	Yageo America		
R13	1	620 k	RES, 620 k, 1%, 0.1 W, 0603	0603	RC0603FR-07620KL	Yageo America		
R15	1	150 k	RES, 150 k, 1%, 0.1 W, 0603	0603	CRCW0603150KFKEA	Vishay-Dale		
SH-J1, SH-J2, SH-J3, SH-J4, SH-J5, SH-J6, SH-J7, SH-J8, SH-J9, SH-J10, SH-J11, SH-J12, SH-J13, SH-J14, SH-J15, SH-J16, SH-J17, SH-J18, SH-J19, SH-J20	20	1 x 2	Shunt, 100 mil, gold-plated, black	Shunt	969102-0000-DA	3M	SNT-100-BK-G	Samtec
TP1	1		Test point, multipurpose, yellow, TH	Yellow multipurpose test point	5014	Keystone		
TP2, TP3, TP4	3		Test point, multipurpose, red, TH	Red multipurpose test point	5010	Keystone		

Table 13. DAC8742H Test Board Bill of Materials (continued)

Designator	Quantity	Value	Description	Package Reference	Part Number	Manufacturer	Alternate Part Number	Alternate Manufacturer
TP5, TP6, TP7, TP8	4		Test point, multipurpose, black, TH	Black multipurpose test point	5011	Keystone		
U1	1		4-bit, 1-of-2 FET multiplexer / demultiplexer high bandwidth bus switch, PW0016A (TSSOP-16)	PW0016A	TS5N412PW	Texas Instruments		Texas Instruments
U2	1		HART & FOUNDATION Fieldbus / PROFIBUS PA Modem, PBS0032A	PBS0032A	DAC8742HPBS	Texas Instruments		Texas Instruments
Y1	1		Crystal, 3.6864-MHz, 18-pF, SMD	Body12.7 × 4.7 mm	ABLS-3.6864MHZ-L4Q-T	Abracon Corporation		
Y2	1		Crystal, 4-MHz, 18-pF, SMD	11.4 × 4.7 mm	ABLS2-4.000MHZ-D4Y-T	Abracon Corporation		
FID1, FID2, FID3	0		Fiducial mark. There is nothing to buy or mount.	Fiducial	N/A	N/A		

Revision History

NOTE: Page numbers for previous revisions may differ from page numbers in the current version.

Changes from June 1, 2017 to October 31, 2017	Page
• Changed <i>Contents of DAC8742H Kit</i> table	3
• Changed <i>DAC8742H Test Board Block Diagram</i> image	4
• Changed <i>Default Jumper Settings</i> table	7
• Changed <i>DAC8742HEVM Power Configurations</i> section shunt information and <i>DAC8742HEVM Power Supply Configuration</i> table	7
• Changed <i>DAC8742H Reference Connection</i> section and table	8
• Changed <i>Digital Inputs</i> section and <i>Digital Signal Definition</i> table	8
• Added <i>J6 Digital Signal Definition</i> table	8
• Changed <i>HART/PAFF Shunt Selection</i> section	10
• Changed <i>Internal Mode Shunt Selection</i> table and <i>External Filter Mode With Internal REF Shunt Selection</i> table.....	10
• Deleted <i>External Mode With External REF</i> section	10
• Changed <i>DAC8742HEVM Board Schematic</i> image	17
• <i>DAC8742H Test Board Bill of Materials</i> table.....	19

STANDARD TERMS FOR EVALUATION MODULES

1. *Delivery:* TI delivers TI evaluation boards, kits, or modules, including any accompanying demonstration software, components, and/or documentation which may be provided together or separately (collectively, an "EVM" or "EVMs") to the User ("User") in accordance with the terms set forth herein. User's acceptance of the EVM is expressly subject to the following terms.
 - 1.1 EVMs are intended solely for product or software developers for use in a research and development setting to facilitate feasibility evaluation, experimentation, or scientific analysis of TI semiconductor products. EVMs have no direct function and are not finished products. EVMs shall not be directly or indirectly assembled as a part or subassembly in any finished product. For clarification, any software or software tools provided with the EVM ("Software") shall not be subject to the terms and conditions set forth herein but rather shall be subject to the applicable terms that accompany such Software
 - 1.2 EVMs are not intended for consumer or household use. EVMs may not be sold, sublicensed, leased, rented, loaned, assigned, or otherwise distributed for commercial purposes by Users, in whole or in part, or used in any finished product or production system.
2. *Limited Warranty and Related Remedies/Disclaimers:*
 - 2.1 These terms do not apply to Software. The warranty, if any, for Software is covered in the applicable Software License Agreement.
 - 2.2 TI warrants that the TI EVM will conform to TI's published specifications for ninety (90) days after the date TI delivers such EVM to User. Notwithstanding the foregoing, TI shall not be liable for a nonconforming EVM if (a) the nonconformity was caused by neglect, misuse or mistreatment by an entity other than TI, including improper installation or testing, or for any EVMs that have been altered or modified in any way by an entity other than TI, (b) the nonconformity resulted from User's design, specifications or instructions for such EVMs or improper system design, or (c) User has not paid on time. Testing and other quality control techniques are used to the extent TI deems necessary. TI does not test all parameters of each EVM. User's claims against TI under this Section 2 are void if User fails to notify TI of any apparent defects in the EVMs within ten (10) business days after delivery, or of any hidden defects with ten (10) business days after the defect has been detected.
 - 2.3 TI's sole liability shall be at its option to repair or replace EVMs that fail to conform to the warranty set forth above, or credit User's account for such EVM. TI's liability under this warranty shall be limited to EVMs that are returned during the warranty period to the address designated by TI and that are determined by TI not to conform to such warranty. If TI elects to repair or replace such EVM, TI shall have a reasonable time to repair such EVM or provide replacements. Repaired EVMs shall be warranted for the remainder of the original warranty period. Replaced EVMs shall be warranted for a new full ninety (90) day warranty period.
3. *Regulatory Notices:*
 - 3.1 *United States*
 - 3.1.1 *Notice applicable to EVMs not FCC-Approved:*

FCC NOTICE: This kit is designed to allow product developers to evaluate electronic components, circuitry, or software associated with the kit to determine whether to incorporate such items in a finished product and software developers to write software applications for use with the end product. This kit is not a finished product and when assembled may not be resold or otherwise marketed unless all required FCC equipment authorizations are first obtained. Operation is subject to the condition that this product not cause harmful interference to licensed radio stations and that this product accept harmful interference. Unless the assembled kit is designed to operate under part 15, part 18 or part 95 of this chapter, the operator of the kit must operate under the authority of an FCC license holder or must secure an experimental authorization under part 5 of this chapter.
 - 3.1.2 *For EVMs annotated as FCC – FEDERAL COMMUNICATIONS COMMISSION Part 15 Compliant:*

CAUTION

This device complies with part 15 of the FCC Rules. Operation is subject to the following two conditions: (1) This device may not cause harmful interference, and (2) this device must accept any interference received, including interference that may cause undesired operation.

Changes or modifications not expressly approved by the party responsible for compliance could void the user's authority to operate the equipment.

FCC Interference Statement for Class A EVM devices

NOTE: This equipment has been tested and found to comply with the limits for a Class A digital device, pursuant to part 15 of the FCC Rules. These limits are designed to provide reasonable protection against harmful interference when the equipment is operated in a commercial environment. This equipment generates, uses, and can radiate radio frequency energy and, if not installed and used in accordance with the instruction manual, may cause harmful interference to radio communications. Operation of this equipment in a residential area is likely to cause harmful interference in which case the user will be required to correct the interference at his own expense.

FCC Interference Statement for Class B EVM devices

NOTE: This equipment has been tested and found to comply with the limits for a Class B digital device, pursuant to part 15 of the FCC Rules. These limits are designed to provide reasonable protection against harmful interference in a residential installation. This equipment generates, uses and can radiate radio frequency energy and, if not installed and used in accordance with the instructions, may cause harmful interference to radio communications. However, there is no guarantee that interference will not occur in a particular installation. If this equipment does cause harmful interference to radio or television reception, which can be determined by turning the equipment off and on, the user is encouraged to try to correct the interference by one or more of the following measures:

- Reorient or relocate the receiving antenna.
- Increase the separation between the equipment and receiver.
- Connect the equipment into an outlet on a circuit different from that to which the receiver is connected.
- Consult the dealer or an experienced radio/TV technician for help.

3.2 Canada

3.2.1 For EVMs issued with an Industry Canada Certificate of Conformance to RSS-210 or RSS-247

Concerning EVMs Including Radio Transmitters:

This device complies with Industry Canada license-exempt RSSs. Operation is subject to the following two conditions:

(1) this device may not cause interference, and (2) this device must accept any interference, including interference that may cause undesired operation of the device.

Concernant les EVMs avec appareils radio:

Le présent appareil est conforme aux CNR d'Industrie Canada applicables aux appareils radio exempts de licence. L'exploitation est autorisée aux deux conditions suivantes: (1) l'appareil ne doit pas produire de brouillage, et (2) l'utilisateur de l'appareil doit accepter tout brouillage radioélectrique subi, même si le brouillage est susceptible d'en compromettre le fonctionnement.

Concerning EVMs Including Detachable Antennas:

Under Industry Canada regulations, this radio transmitter may only operate using an antenna of a type and maximum (or lesser) gain approved for the transmitter by Industry Canada. To reduce potential radio interference to other users, the antenna type and its gain should be so chosen that the equivalent isotropically radiated power (e.i.r.p.) is not more than that necessary for successful communication. This radio transmitter has been approved by Industry Canada to operate with the antenna types listed in the user guide with the maximum permissible gain and required antenna impedance for each antenna type indicated. Antenna types not included in this list, having a gain greater than the maximum gain indicated for that type, are strictly prohibited for use with this device.

Concernant les EVMs avec antennes détachables

Conformément à la réglementation d'Industrie Canada, le présent émetteur radio peut fonctionner avec une antenne d'un type et d'un gain maximal (ou inférieur) approuvé pour l'émetteur par Industrie Canada. Dans le but de réduire les risques de brouillage radioélectrique à l'intention des autres utilisateurs, il faut choisir le type d'antenne et son gain de sorte que la puissance isotrope rayonnée équivalente (p.i.r.e.) ne dépasse pas l'intensité nécessaire à l'établissement d'une communication satisfaisante. Le présent émetteur radio a été approuvé par Industrie Canada pour fonctionner avec les types d'antenne énumérés dans le manuel d'usage et ayant un gain admissible maximal et l'impédance requise pour chaque type d'antenne. Les types d'antenne non inclus dans cette liste, ou dont le gain est supérieur au gain maximal indiqué, sont strictement interdits pour l'exploitation de l'émetteur.

3.3 Japan

3.3.1 *Notice for EVMs delivered in Japan:* Please see http://www.tij.co.jp/lstds/ti_ja/general/eStore/notice_01.page 日本国内に輸入される評価用キット、ボードについては、次のところをご覧ください。
http://www.tij.co.jp/lstds/ti_ja/general/eStore/notice_01.page

3.3.2 *Notice for Users of EVMs Considered "Radio Frequency Products" in Japan:* EVMs entering Japan may not be certified by TI as conforming to Technical Regulations of Radio Law of Japan.

If User uses EVMs in Japan, not certified to Technical Regulations of Radio Law of Japan, User is required to follow the instructions set forth by Radio Law of Japan, which includes, but is not limited to, the instructions below with respect to EVMs (which for the avoidance of doubt are stated strictly for convenience and should be verified by User):

1. Use EVMs in a shielded room or any other test facility as defined in the notification #173 issued by Ministry of Internal Affairs and Communications on March 28, 2006, based on Sub-section 1.1 of Article 6 of the Ministry's Rule for Enforcement of Radio Law of Japan,
2. Use EVMs only after User obtains the license of Test Radio Station as provided in Radio Law of Japan with respect to EVMs, or
3. Use of EVMs only after User obtains the Technical Regulations Conformity Certification as provided in Radio Law of Japan with respect to EVMs. Also, do not transfer EVMs, unless User gives the same notice above to the transferee. Please note that if User does not follow the instructions above, User will be subject to penalties of Radio Law of Japan.

【無線電波を送信する製品の開発キットをお使いになる際の注意事項】 開発キットの中には技術基準適合証明を受けていないものがあります。技術適合証明を受けていないものご使用に際しては、電波法遵守のため、以下のいずれかの措置を取っていただく必要がありますのでご注意ください。

1. 電波法施行規則第6条第1項第1号に基づく平成18年3月28日総務省告示第173号で定められた電波暗室等の試験設備でご使用いただく。
2. 実験局の免許を取得後ご使用いただく。
3. 技術基準適合証明を取得後ご使用いただく。

なお、本製品は、上記の「ご使用にあたっての注意」を譲渡先、移転先に通知しない限り、譲渡、移転できないものとします。

上記を遵守頂けない場合は、電波法の罰則が適用される可能性があることをご留意ください。日本テキサス・インスツルメンツ株式会社
東京都新宿区西新宿 6 丁目 2 4 番 1 号
西新宿三井ビル

3.3.3 *Notice for EVMs for Power Line Communication:* Please see http://www.tij.co.jp/lstds/ti_ja/general/eStore/notice_02.page
電力線搬送波通信についての開発キットをお使いになる際の注意事項については、次のところをご覧ください。 http://www.tij.co.jp/lstds/ti_ja/general/eStore/notice_02.page

3.4 *European Union*

3.4.1 *For EVMs subject to EU Directive 2014/30/EU (Electromagnetic Compatibility Directive):*

This is a class A product intended for use in environments other than domestic environments that are connected to a low-voltage power-supply network that supplies buildings used for domestic purposes. In a domestic environment this product may cause radio interference in which case the user may be required to take adequate measures.

4 *EVM Use Restrictions and Warnings:*

4.1 EVMS ARE NOT FOR USE IN FUNCTIONAL SAFETY AND/OR SAFETY CRITICAL EVALUATIONS, INCLUDING BUT NOT LIMITED TO EVALUATIONS OF LIFE SUPPORT APPLICATIONS.

4.2 User must read and apply the user guide and other available documentation provided by TI regarding the EVM prior to handling or using the EVM, including without limitation any warning or restriction notices. The notices contain important safety information related to, for example, temperatures and voltages.

4.3 *Safety-Related Warnings and Restrictions:*

4.3.1 User shall operate the EVM within TI's recommended specifications and environmental considerations stated in the user guide, other available documentation provided by TI, and any other applicable requirements and employ reasonable and customary safeguards. Exceeding the specified performance ratings and specifications (including but not limited to input and output voltage, current, power, and environmental ranges) for the EVM may cause personal injury or death, or property damage. If there are questions concerning performance ratings and specifications, User should contact a TI field representative prior to connecting interface electronics including input power and intended loads. Any loads applied outside of the specified output range may also result in unintended and/or inaccurate operation and/or possible permanent damage to the EVM and/or interface electronics. Please consult the EVM user guide prior to connecting any load to the EVM output. If there is uncertainty as to the load specification, please contact a TI field representative. During normal operation, even with the inputs and outputs kept within the specified allowable ranges, some circuit components may have elevated case temperatures. These components include but are not limited to linear regulators, switching transistors, pass transistors, current sense resistors, and heat sinks, which can be identified using the information in the associated documentation. When working with the EVM, please be aware that the EVM may become very warm.

4.3.2 EVMs are intended solely for use by technically qualified, professional electronics experts who are familiar with the dangers and application risks associated with handling electrical mechanical components, systems, and subsystems. User assumes all responsibility and liability for proper and safe handling and use of the EVM by User or its employees, affiliates, contractors or designees. User assumes all responsibility and liability to ensure that any interfaces (electronic and/or mechanical) between the EVM and any human body are designed with suitable isolation and means to safely limit accessible leakage currents to minimize the risk of electrical shock hazard. User assumes all responsibility and liability for any improper or unsafe handling or use of the EVM by User or its employees, affiliates, contractors or designees.

4.4 User assumes all responsibility and liability to determine whether the EVM is subject to any applicable international, federal, state, or local laws and regulations related to User's handling and use of the EVM and, if applicable, User assumes all responsibility and liability for compliance in all respects with such laws and regulations. User assumes all responsibility and liability for proper disposal and recycling of the EVM consistent with all applicable international, federal, state, and local requirements.

5. *Accuracy of Information:* To the extent TI provides information on the availability and function of EVMs, TI attempts to be as accurate as possible. However, TI does not warrant the accuracy of EVM descriptions, EVM availability or other information on its websites as accurate, complete, reliable, current, or error-free.

6. *Disclaimers:*

6.1 EXCEPT AS SET FORTH ABOVE, EVMS AND ANY MATERIALS PROVIDED WITH THE EVM (INCLUDING, BUT NOT LIMITED TO, REFERENCE DESIGNS AND THE DESIGN OF THE EVM ITSELF) ARE PROVIDED "AS IS" AND "WITH ALL FAULTS." TI DISCLAIMS ALL OTHER WARRANTIES, EXPRESS OR IMPLIED, REGARDING SUCH ITEMS, INCLUDING BUT NOT LIMITED TO ANY EPIDEMIC FAILURE WARRANTY OR IMPLIED WARRANTIES OF MERCHANTABILITY OR FITNESS FOR A PARTICULAR PURPOSE OR NON-INFRINGEMENT OF ANY THIRD PARTY PATENTS, COPYRIGHTS, TRADE SECRETS OR OTHER INTELLECTUAL PROPERTY RIGHTS.

6.2 EXCEPT FOR THE LIMITED RIGHT TO USE THE EVM SET FORTH HEREIN, NOTHING IN THESE TERMS SHALL BE CONSTRUED AS GRANTING OR CONFERRING ANY RIGHTS BY LICENSE, PATENT, OR ANY OTHER INDUSTRIAL OR INTELLECTUAL PROPERTY RIGHT OF TI, ITS SUPPLIERS/LICENSORS OR ANY OTHER THIRD PARTY, TO USE THE EVM IN ANY FINISHED END-USER OR READY-TO-USE FINAL PRODUCT, OR FOR ANY INVENTION, DISCOVERY OR IMPROVEMENT, REGARDLESS OF WHEN MADE, CONCEIVED OR ACQUIRED.

7. *USER'S INDEMNITY OBLIGATIONS AND REPRESENTATIONS.* USER WILL DEFEND, INDEMNIFY AND HOLD TI, ITS LICENSORS AND THEIR REPRESENTATIVES HARMLESS FROM AND AGAINST ANY AND ALL CLAIMS, DAMAGES, LOSSES, EXPENSES, COSTS AND LIABILITIES (COLLECTIVELY, "CLAIMS") ARISING OUT OF OR IN CONNECTION WITH ANY HANDLING OR USE OF THE EVM THAT IS NOT IN ACCORDANCE WITH THESE TERMS. THIS OBLIGATION SHALL APPLY WHETHER CLAIMS ARISE UNDER STATUTE, REGULATION, OR THE LAW OF TORT, CONTRACT OR ANY OTHER LEGAL THEORY, AND EVEN IF THE EVM FAILS TO PERFORM AS DESCRIBED OR EXPECTED.

8. *Limitations on Damages and Liability:*

8.1 *General Limitations.* IN NO EVENT SHALL TI BE LIABLE FOR ANY SPECIAL, COLLATERAL, INDIRECT, PUNITIVE, INCIDENTAL, CONSEQUENTIAL, OR EXEMPLARY DAMAGES IN CONNECTION WITH OR ARISING OUT OF THESE TERMS OR THE USE OF THE EVMS, REGARDLESS OF WHETHER TI HAS BEEN ADVISED OF THE POSSIBILITY OF SUCH DAMAGES. EXCLUDED DAMAGES INCLUDE, BUT ARE NOT LIMITED TO, COST OF REMOVAL OR REINSTALLATION, ANCILLARY COSTS TO THE PROCUREMENT OF SUBSTITUTE GOODS OR SERVICES, RETESTING, OUTSIDE COMPUTER TIME, LABOR COSTS, LOSS OF GOODWILL, LOSS OF PROFITS, LOSS OF SAVINGS, LOSS OF USE, LOSS OF DATA, OR BUSINESS INTERRUPTION. NO CLAIM, SUIT OR ACTION SHALL BE BROUGHT AGAINST TI MORE THAN TWELVE (12) MONTHS AFTER THE EVENT THAT GAVE RISE TO THE CAUSE OF ACTION HAS OCCURRED.

8.2 *Specific Limitations.* IN NO EVENT SHALL TI'S AGGREGATE LIABILITY FROM ANY USE OF AN EVM PROVIDED HEREUNDER, INCLUDING FROM ANY WARRANTY, INDEMNITY OR OTHER OBLIGATION ARISING OUT OF OR IN CONNECTION WITH THESE TERMS, EXCEED THE TOTAL AMOUNT PAID TO TI BY USER FOR THE PARTICULAR EVM(S) AT ISSUE DURING THE PRIOR TWELVE (12) MONTHS WITH RESPECT TO WHICH LOSSES OR DAMAGES ARE CLAIMED. THE EXISTENCE OF MORE THAN ONE CLAIM SHALL NOT ENLARGE OR EXTEND THIS LIMIT.

9. *Return Policy.* Except as otherwise provided, TI does not offer any refunds, returns, or exchanges. Furthermore, no return of EVM(s) will be accepted if the package has been opened and no return of the EVM(s) will be accepted if they are damaged or otherwise not in a resalable condition. If User feels it has been incorrectly charged for the EVM(s) it ordered or that delivery violates the applicable order, User should contact TI. All refunds will be made in full within thirty (30) working days from the return of the components(s), excluding any postage or packaging costs.

10. *Governing Law:* These terms and conditions shall be governed by and interpreted in accordance with the laws of the State of Texas, without reference to conflict-of-laws principles. User agrees that non-exclusive jurisdiction for any dispute arising out of or relating to these terms and conditions lies within courts located in the State of Texas and consents to venue in Dallas County, Texas. Notwithstanding the foregoing, any judgment may be enforced in any United States or foreign court, and TI may seek injunctive relief in any United States or foreign court.

IMPORTANT NOTICE FOR TI DESIGN INFORMATION AND RESOURCES

Texas Instruments Incorporated ("TI") technical, application or other design advice, services or information, including, but not limited to, reference designs and materials relating to evaluation modules, (collectively, "TI Resources") are intended to assist designers who are developing applications that incorporate TI products; by downloading, accessing or using any particular TI Resource in any way, you (individually or, if you are acting on behalf of a company, your company) agree to use it solely for this purpose and subject to the terms of this Notice.

TI's provision of TI Resources does not expand or otherwise alter TI's applicable published warranties or warranty disclaimers for TI products, and no additional obligations or liabilities arise from TI providing such TI Resources. TI reserves the right to make corrections, enhancements, improvements and other changes to its TI Resources.

You understand and agree that you remain responsible for using your independent analysis, evaluation and judgment in designing your applications and that you have full and exclusive responsibility to assure the safety of your applications and compliance of your applications (and of all TI products used in or for your applications) with all applicable regulations, laws and other applicable requirements. You represent that, with respect to your applications, you have all the necessary expertise to create and implement safeguards that (1) anticipate dangerous consequences of failures, (2) monitor failures and their consequences, and (3) lessen the likelihood of failures that might cause harm and take appropriate actions. You agree that prior to using or distributing any applications that include TI products, you will thoroughly test such applications and the functionality of such TI products as used in such applications. TI has not conducted any testing other than that specifically described in the published documentation for a particular TI Resource.

You are authorized to use, copy and modify any individual TI Resource only in connection with the development of applications that include the TI product(s) identified in such TI Resource. NO OTHER LICENSE, EXPRESS OR IMPLIED, BY ESTOPPEL OR OTHERWISE TO ANY OTHER TI INTELLECTUAL PROPERTY RIGHT, AND NO LICENSE TO ANY TECHNOLOGY OR INTELLECTUAL PROPERTY RIGHT OF TI OR ANY THIRD PARTY IS GRANTED HEREIN, including but not limited to any patent right, copyright, mask work right, or other intellectual property right relating to any combination, machine, or process in which TI products or services are used. Information regarding or referencing third-party products or services does not constitute a license to use such products or services, or a warranty or endorsement thereof. Use of TI Resources may require a license from a third party under the patents or other intellectual property of the third party, or a license from TI under the patents or other intellectual property of TI.

TI RESOURCES ARE PROVIDED "AS IS" AND WITH ALL FAULTS. TI DISCLAIMS ALL OTHER WARRANTIES OR REPRESENTATIONS, EXPRESS OR IMPLIED, REGARDING TI RESOURCES OR USE THEREOF, INCLUDING BUT NOT LIMITED TO ACCURACY OR COMPLETENESS, TITLE, ANY EPIDEMIC FAILURE WARRANTY AND ANY IMPLIED WARRANTIES OF MERCHANTABILITY, FITNESS FOR A PARTICULAR PURPOSE, AND NON-INFRINGEMENT OF ANY THIRD PARTY INTELLECTUAL PROPERTY RIGHTS.

TI SHALL NOT BE LIABLE FOR AND SHALL NOT DEFEND OR INDEMNIFY YOU AGAINST ANY CLAIM, INCLUDING BUT NOT LIMITED TO ANY INFRINGEMENT CLAIM THAT RELATES TO OR IS BASED ON ANY COMBINATION OF PRODUCTS EVEN IF DESCRIBED IN TI RESOURCES OR OTHERWISE. IN NO EVENT SHALL TI BE LIABLE FOR ANY ACTUAL, DIRECT, SPECIAL, COLLATERAL, INDIRECT, PUNITIVE, INCIDENTAL, CONSEQUENTIAL OR EXEMPLARY DAMAGES IN CONNECTION WITH OR ARISING OUT OF TI RESOURCES OR USE THEREOF, AND REGARDLESS OF WHETHER TI HAS BEEN ADVISED OF THE POSSIBILITY OF SUCH DAMAGES.

You agree to fully indemnify TI and its representatives against any damages, costs, losses, and/or liabilities arising out of your non-compliance with the terms and provisions of this Notice.

This Notice applies to TI Resources. Additional terms apply to the use and purchase of certain types of materials, TI products and services. These include; without limitation, TI's standard terms for semiconductor products (<http://www.ti.com/sc/docs/stdterms.htm>), [evaluation modules](#), and [samples](http://www.ti.com/sc/docs/sampterm.htm) (<http://www.ti.com/sc/docs/sampterm.htm>).

Mailing Address: Texas Instruments, Post Office Box 655303, Dallas, Texas 75265
Copyright © 2017, Texas Instruments Incorporated