

If Pclk connect Din[10],913A PCLK connected extern Oscillator with 32MHZ

# OV426

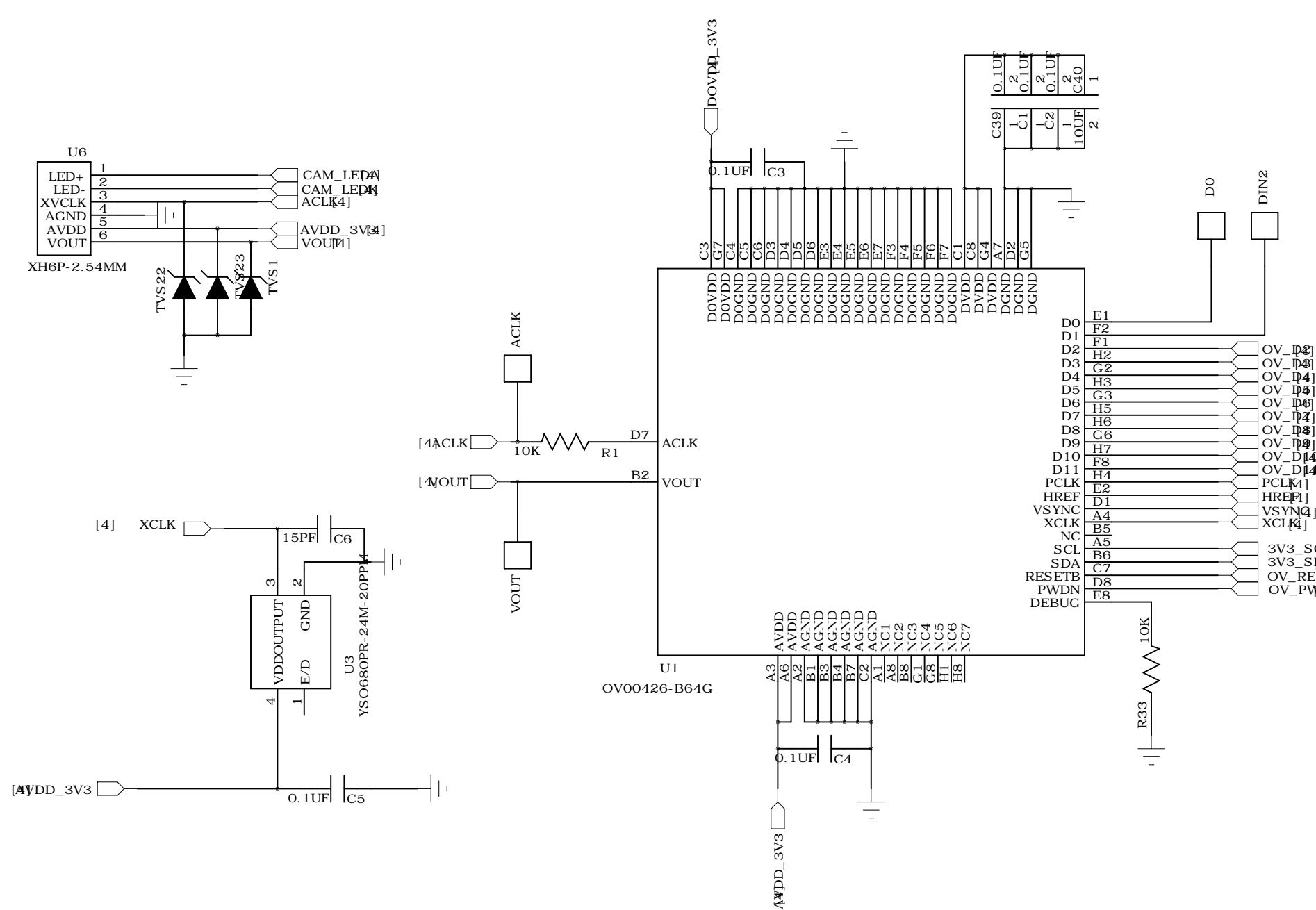
# POWER

## VOLTAGE TRANSLATION

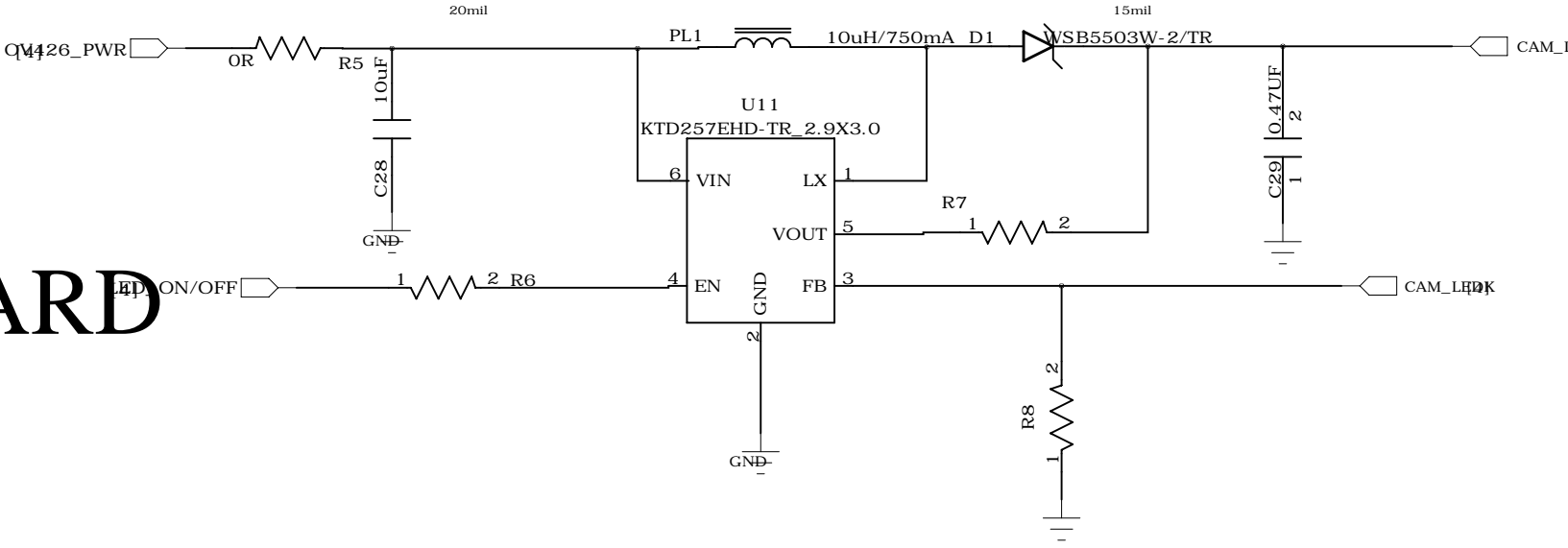
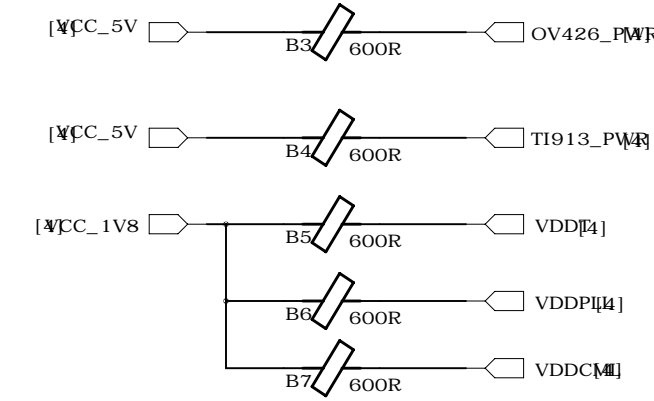
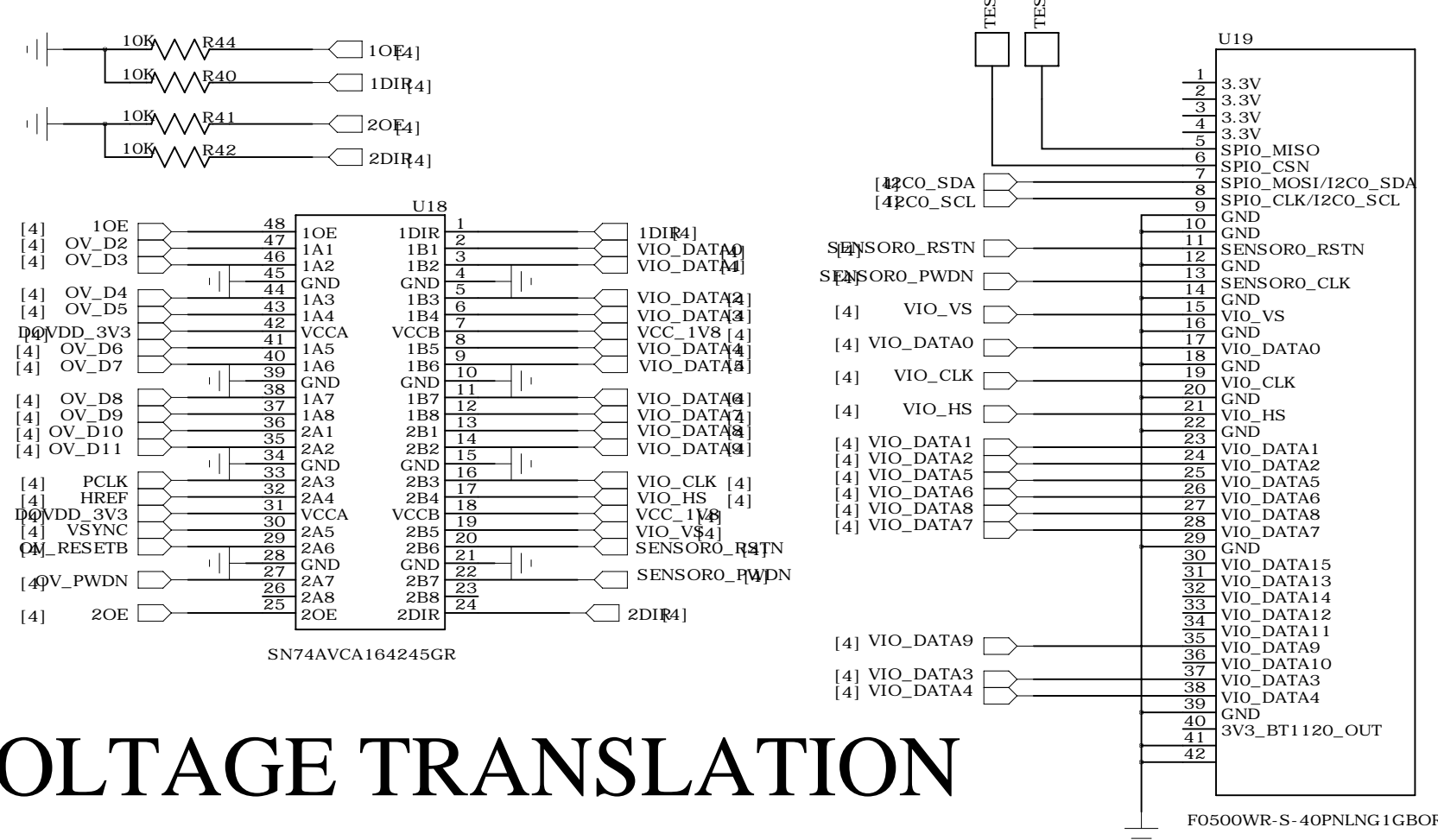
## CONNECT HI3519V101 MAIN BOARD

# DS90UB913A-Q1

## I2C VOLTAGE TRANSLATION



INPUTS	DIR	OPERATION
OE	L	8 data to A bus
	L	H data to B bus
	H	Isolation



PULL-DOWN (DIN0-11HS, VS, PCLK, CLKIN) CLOSE TO IC

MINIMUM RATIO (V <sub>low</sub> /V <sub>high</sub> )	MAXIMUM RATIO (V <sub>low</sub> /V <sub>high</sub> )	SUGGESTED R <sub>p</sub> RESISTOR VALUE (kΩ)	SUGGESTED R <sub>s</sub> RESISTOR VALUE (kΩ)	Address 7-bit (WRTE)	Address 8-bit (WRTE)
0	0	Open	0	0x58	0x50
0.114	0.196	10	2	0x59	0x52
0.297	0.347	10	4.7	0x5A	0x54
0.438	0.494	10	8.2	0x5B	0x55
0.584	0.668	10	14	0x5C	0x56
0.742	1.0	10	100	0x5D	0x5A

