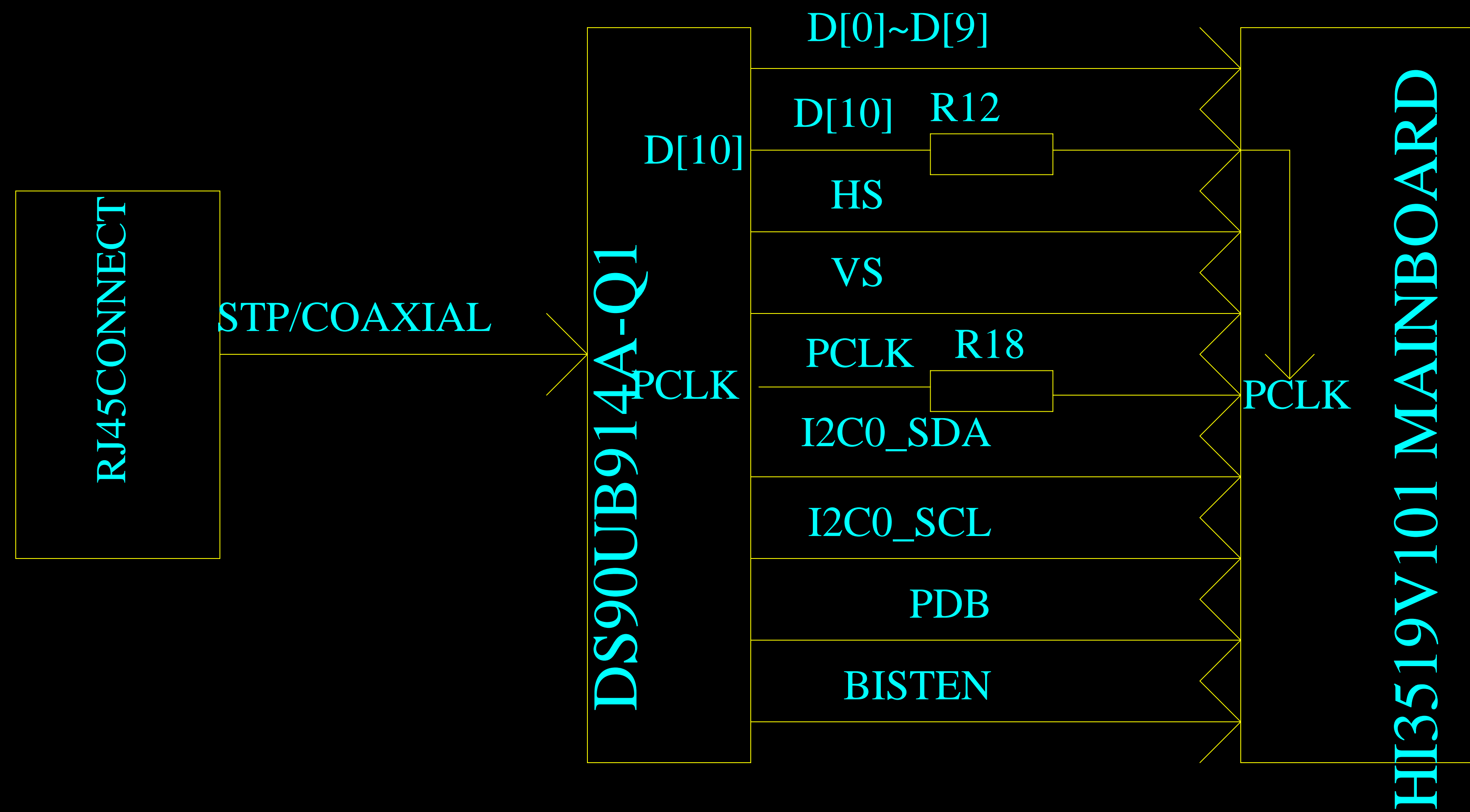
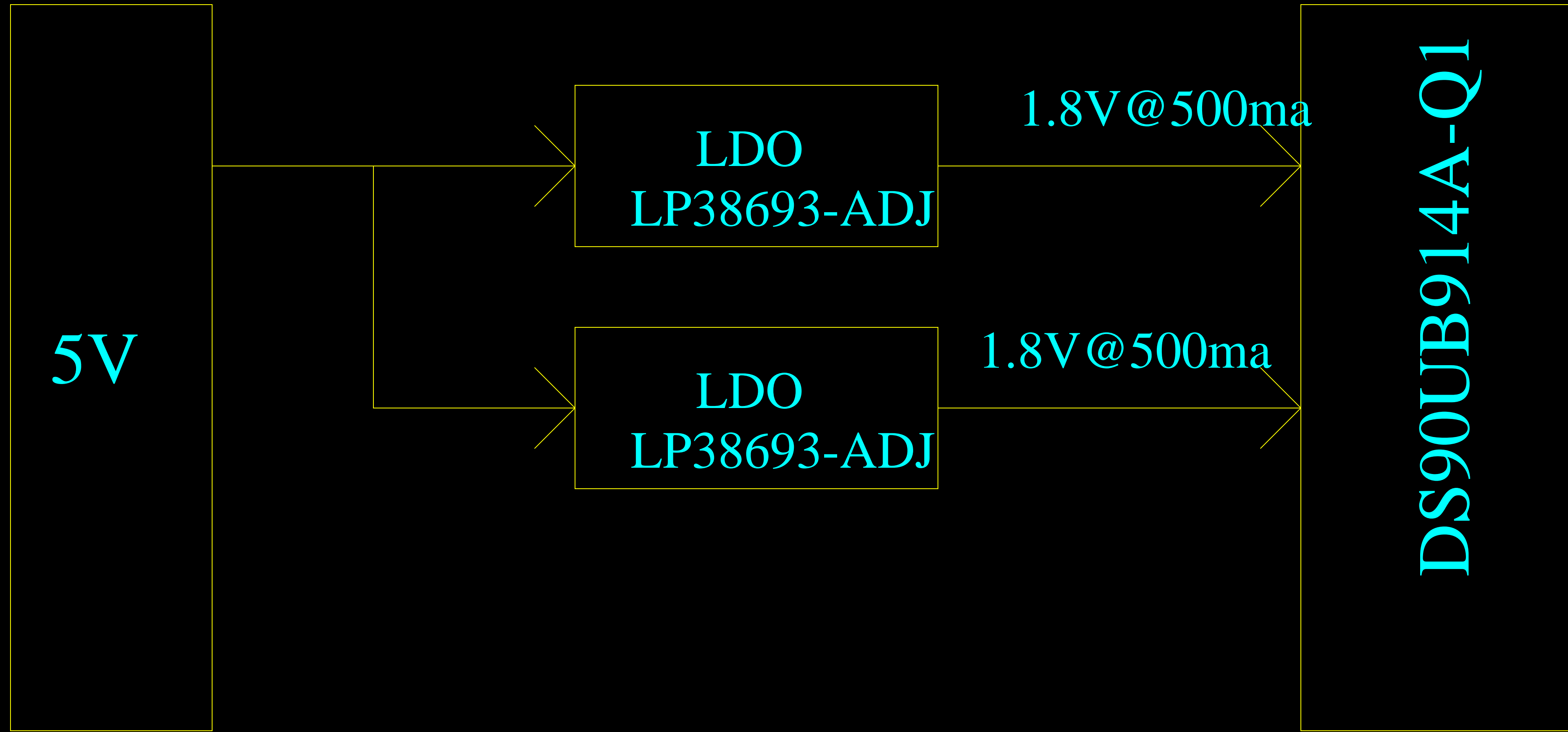
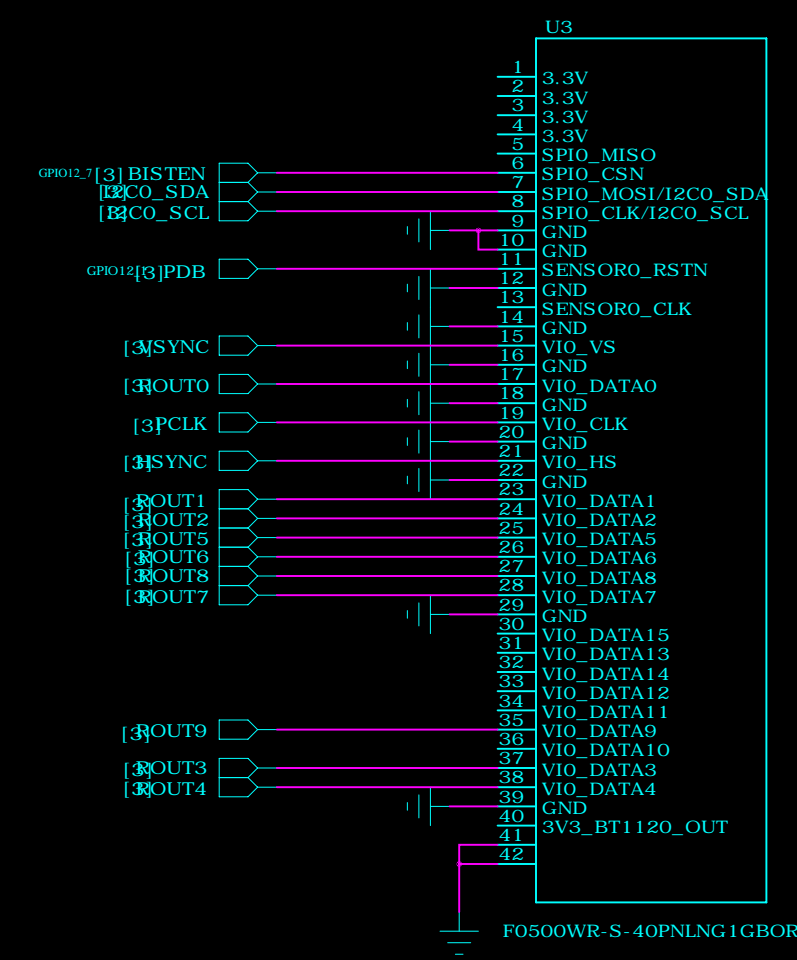


if PCLK 8MHZ USE R18 AND R12 NC IF PCLK 32MHZ USE R12 AND R18 NC

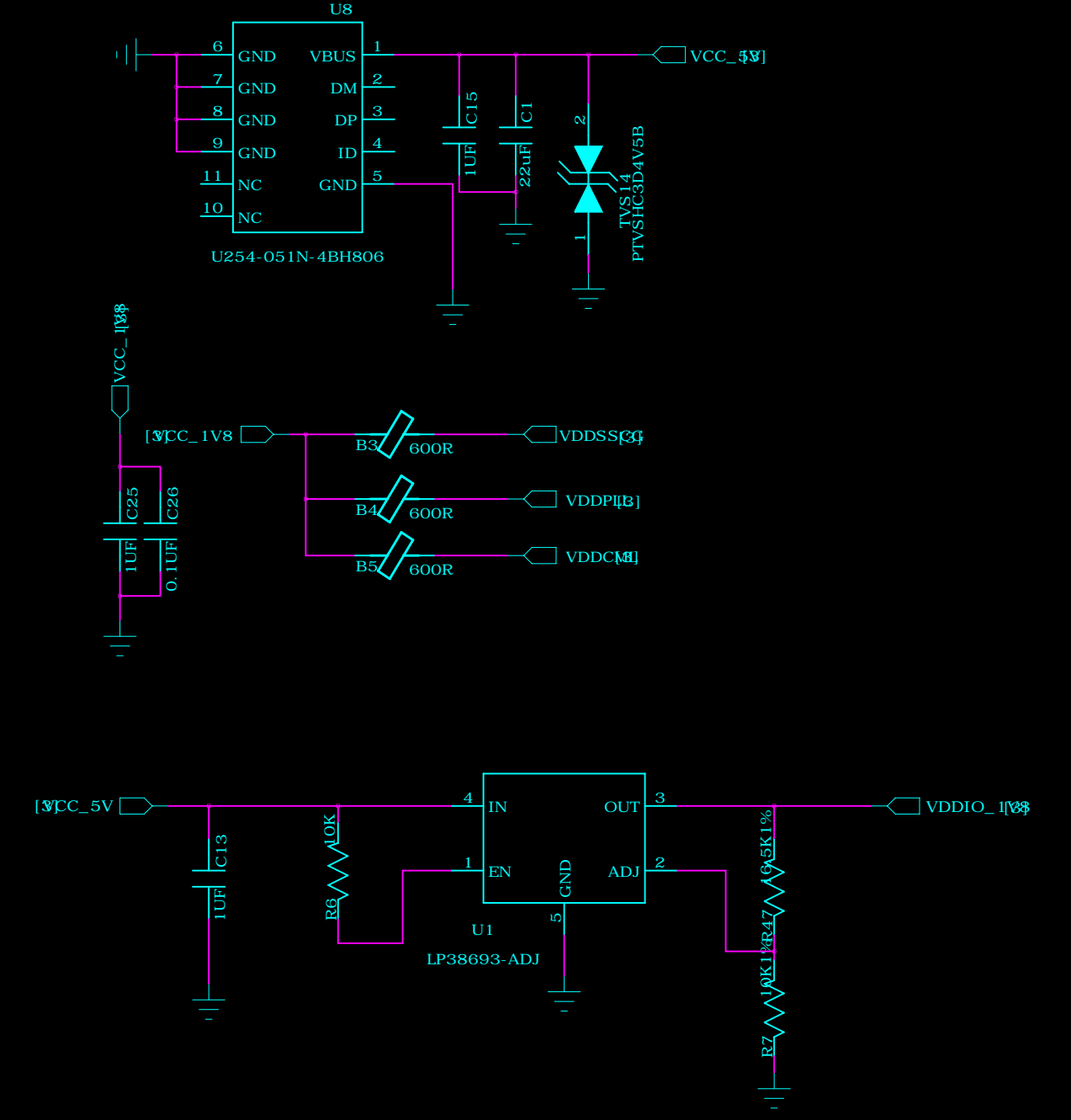




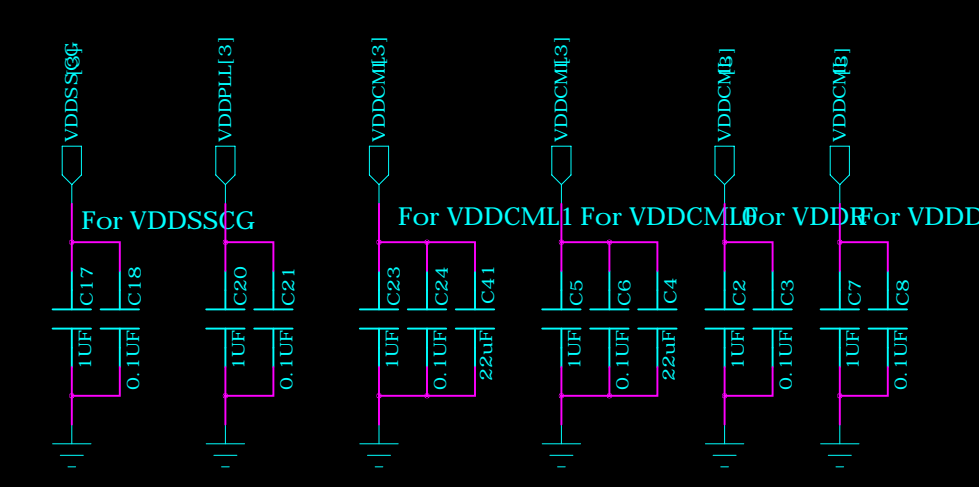
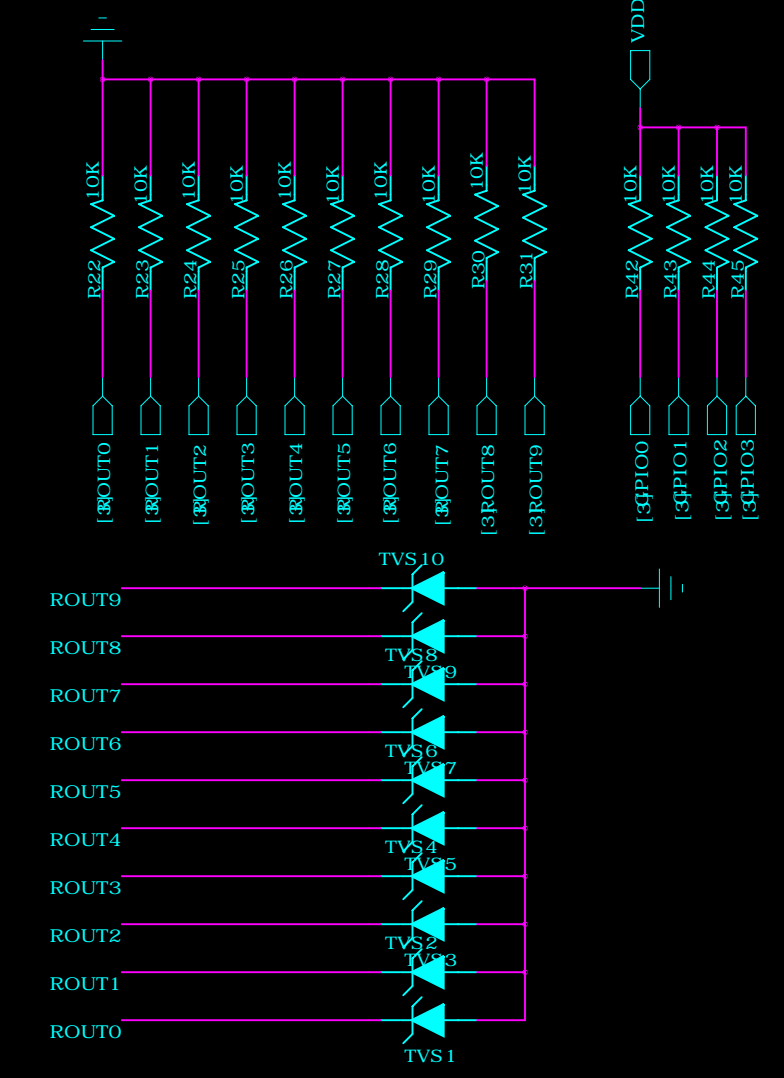
FPC connect to main board



Component	Value	Footprint	Package
U8	U254-051N-4BHR06	U254-051N-4BHR06	0603



PULL-DOWN (DIN0-11HS, VS, PCLK, CLKIN) CLOSE TO IC BUS AT 100 MB/S. MATCH LENGTH TO 100MIL.



DS90UB914A-Q1

