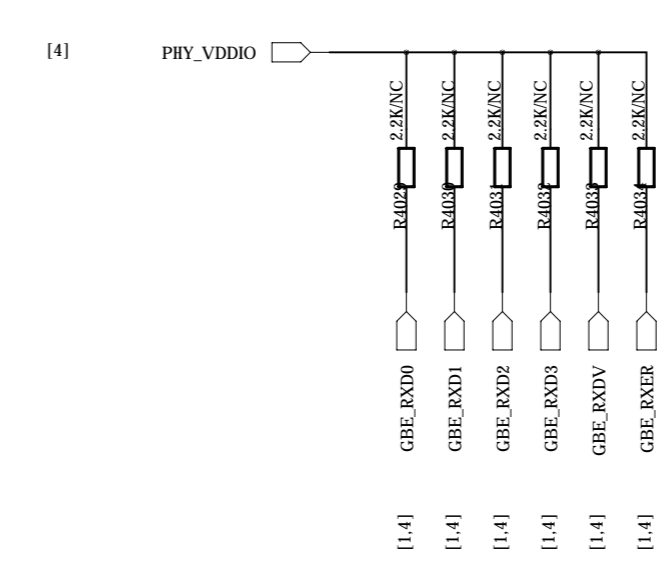
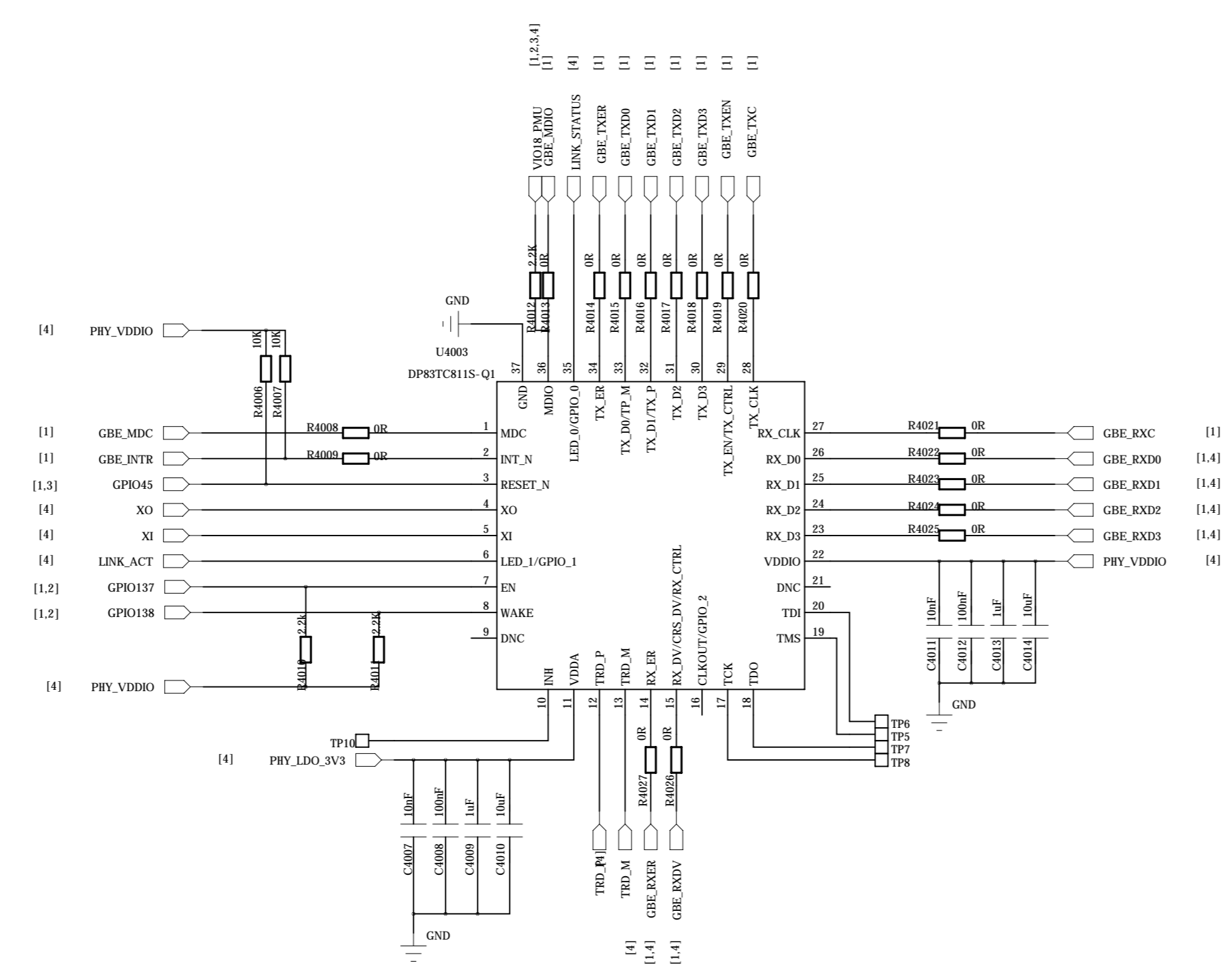
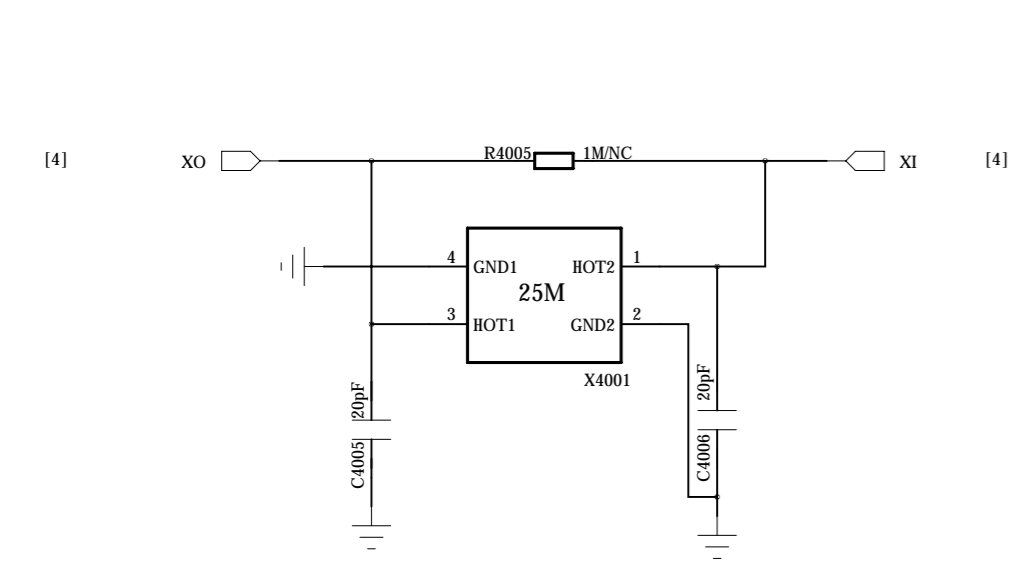
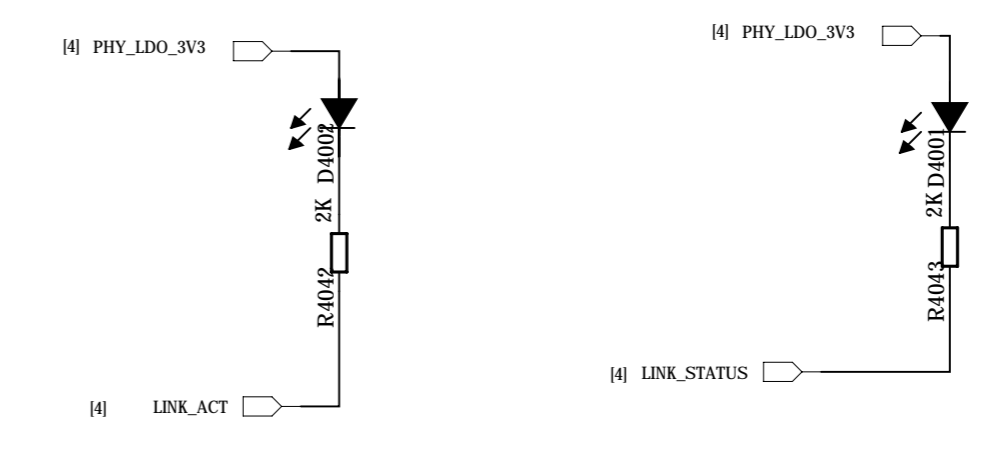
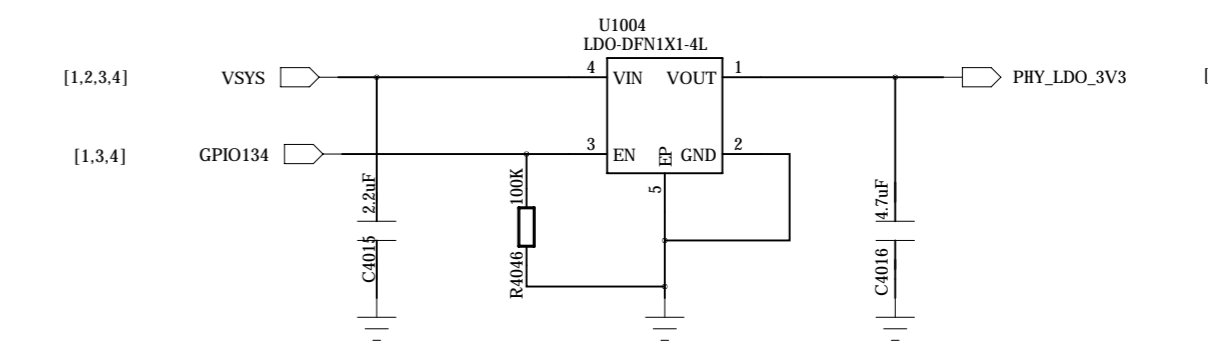
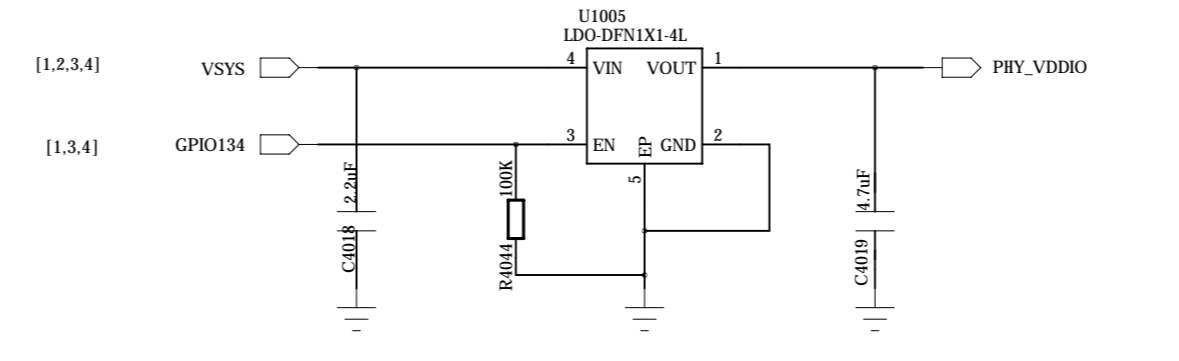
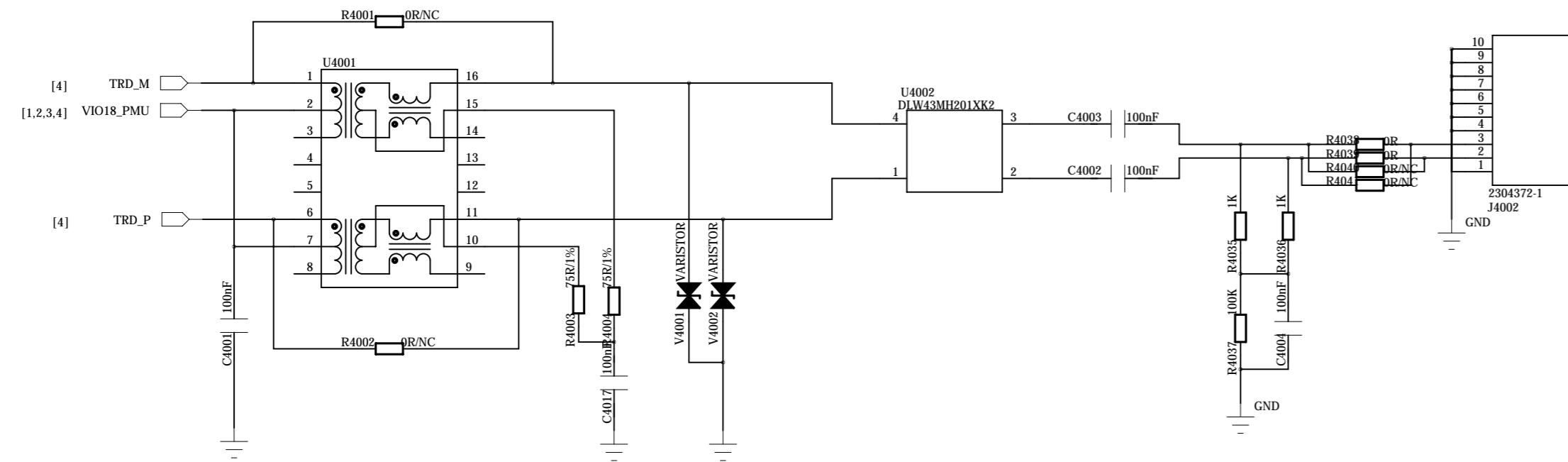


# ETHEMET



DRAWN BY	PROJECT	TITLE TV2
CHECKED BY	SIZE A1	VER <V1.00>
	SHEET 4 of 6	<DATE HERE>