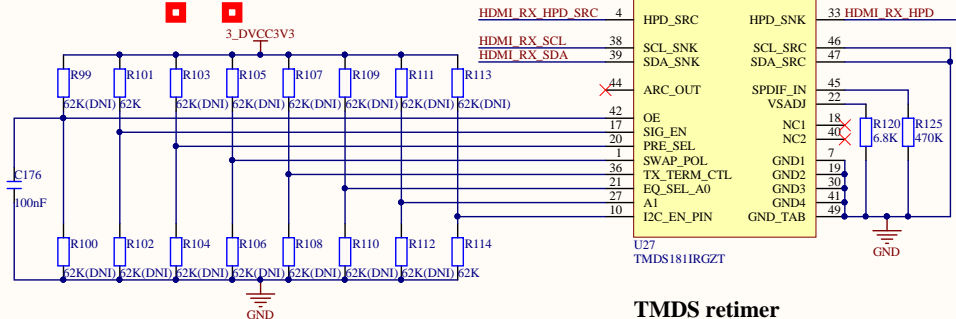
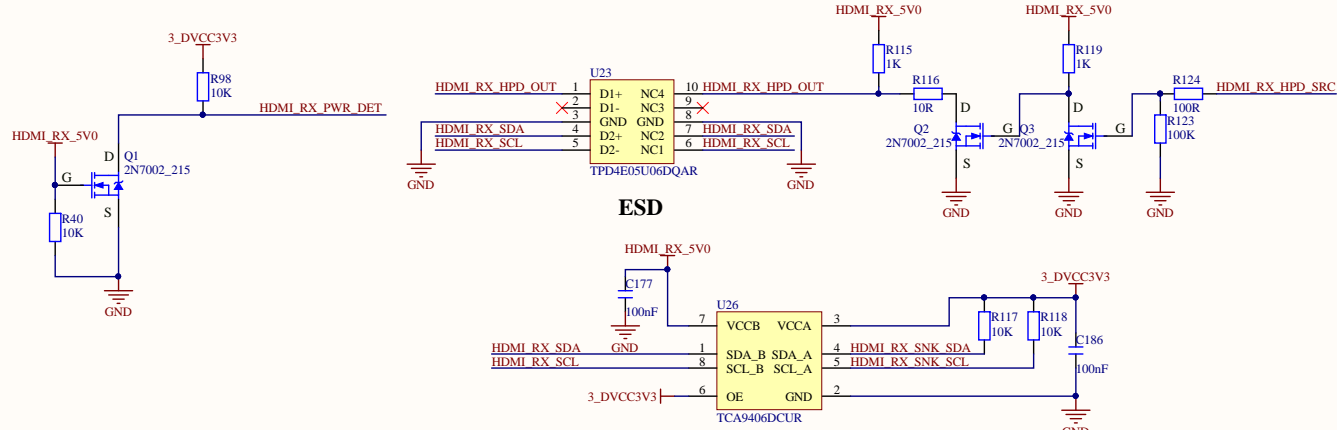
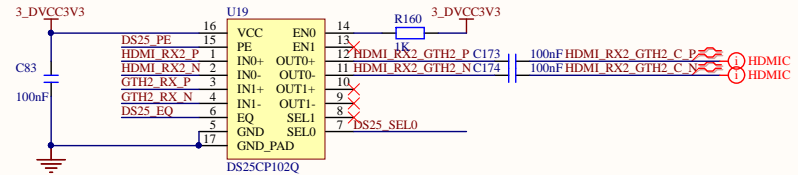
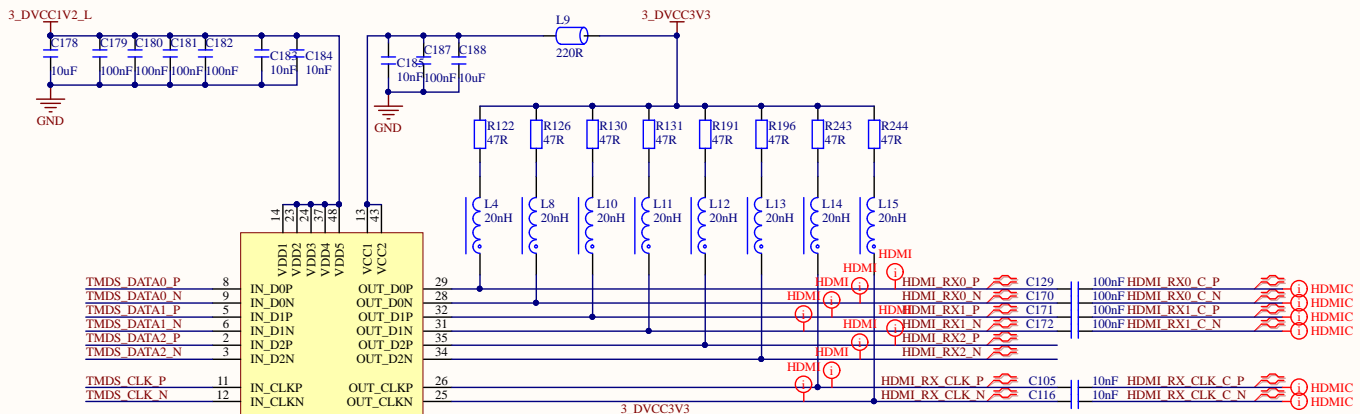


**ESD**



**TMDS retimer**



**Voltage-Level Translator**

