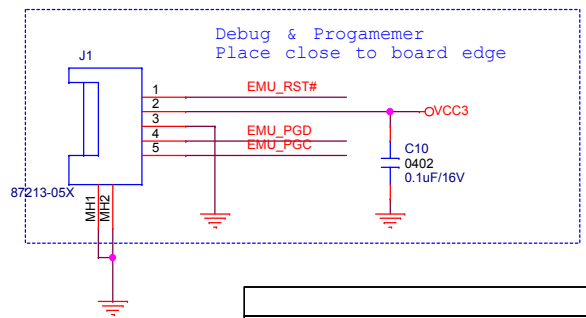
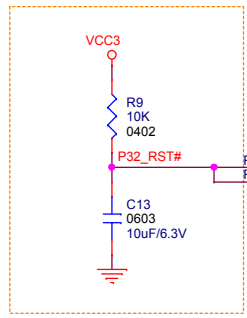
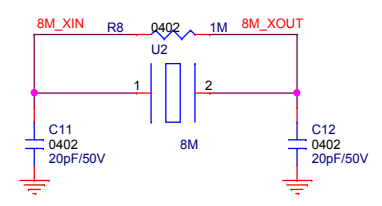
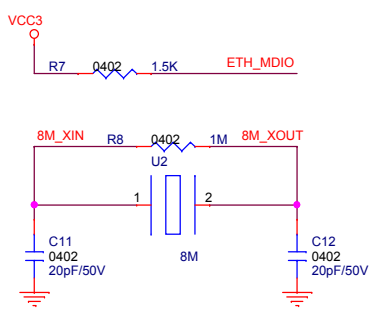
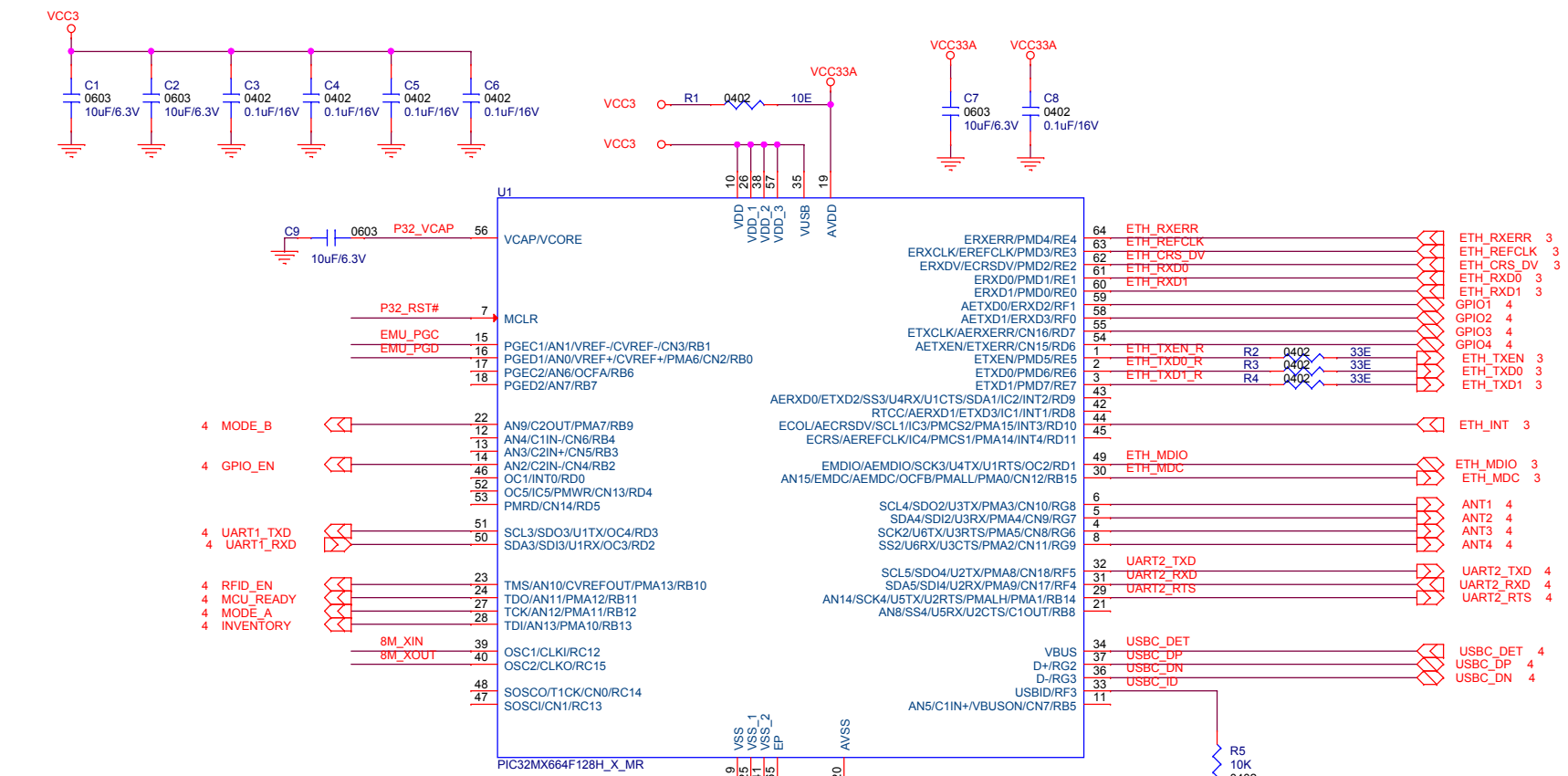
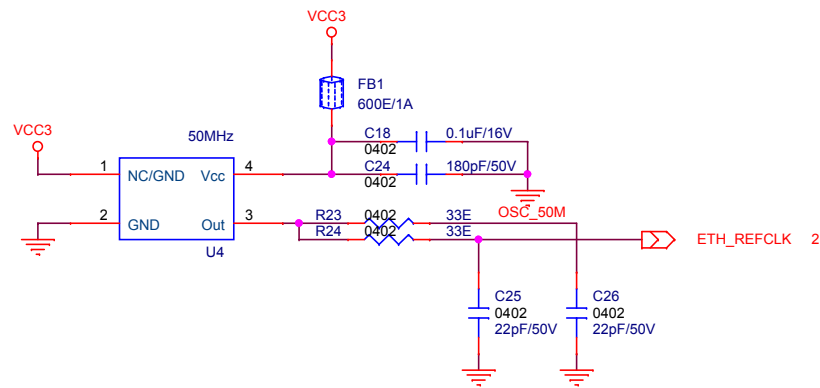
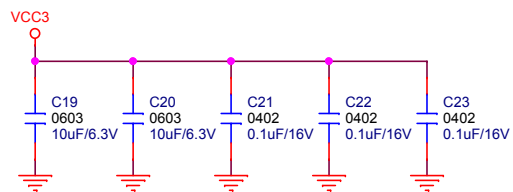
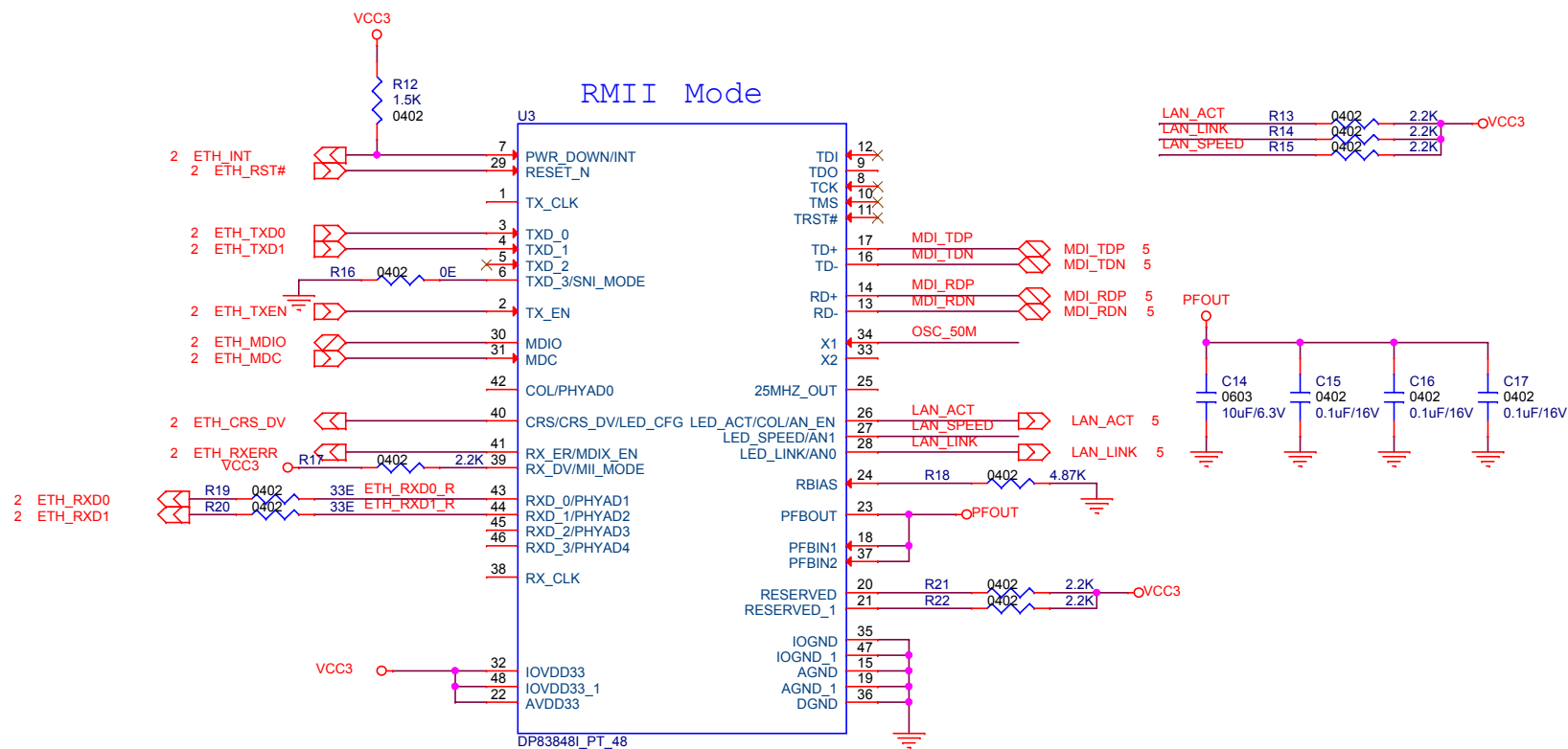


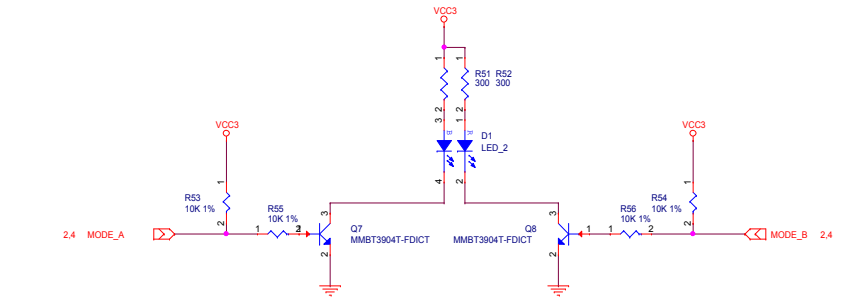
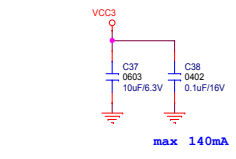
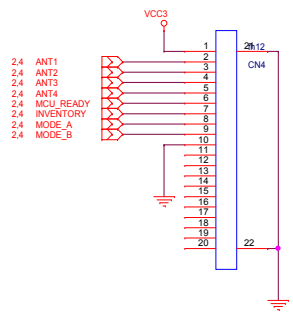
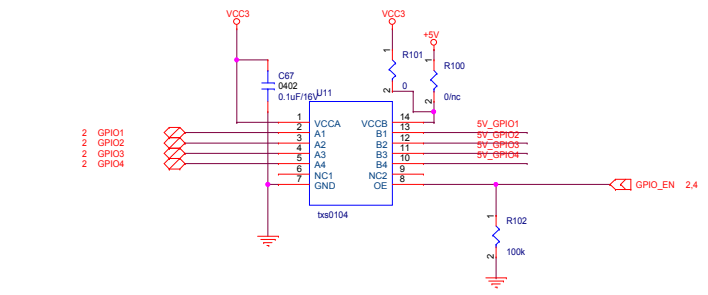
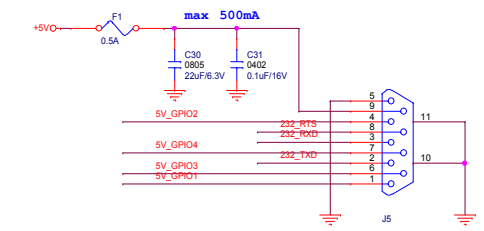
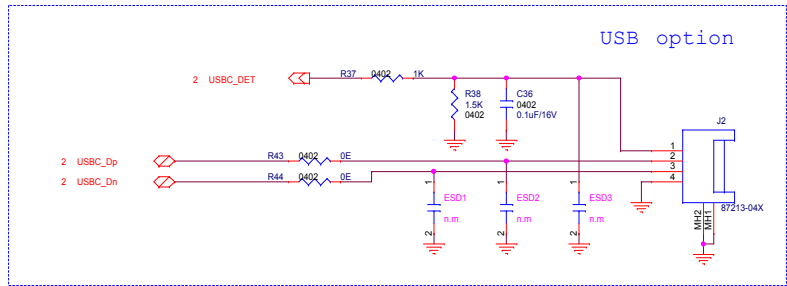
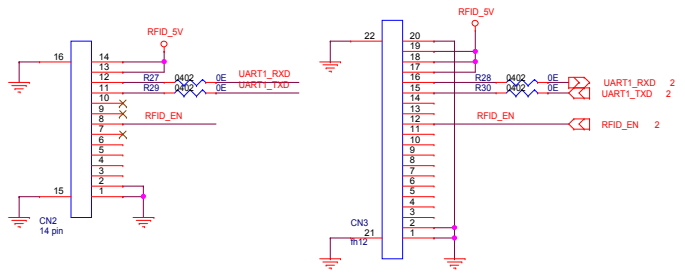
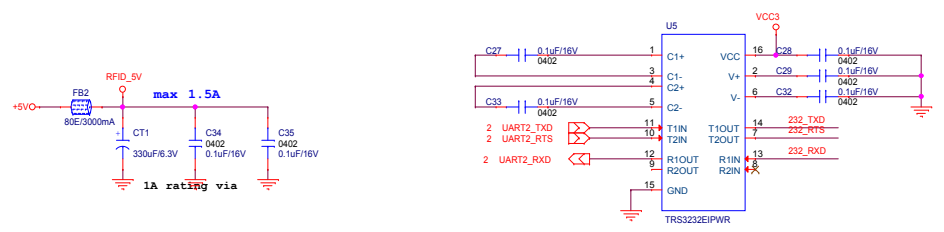
| | | | | | |
|-------|--------------------------|-------|-----------------------|----|---|
| Title | | | Function Block | | |
| Size | Document Number | | | | |
| A | <Doc> | | A01 | | |
| Date: | Monday, January 19, 2015 | Sheet | 1 | of | 5 |



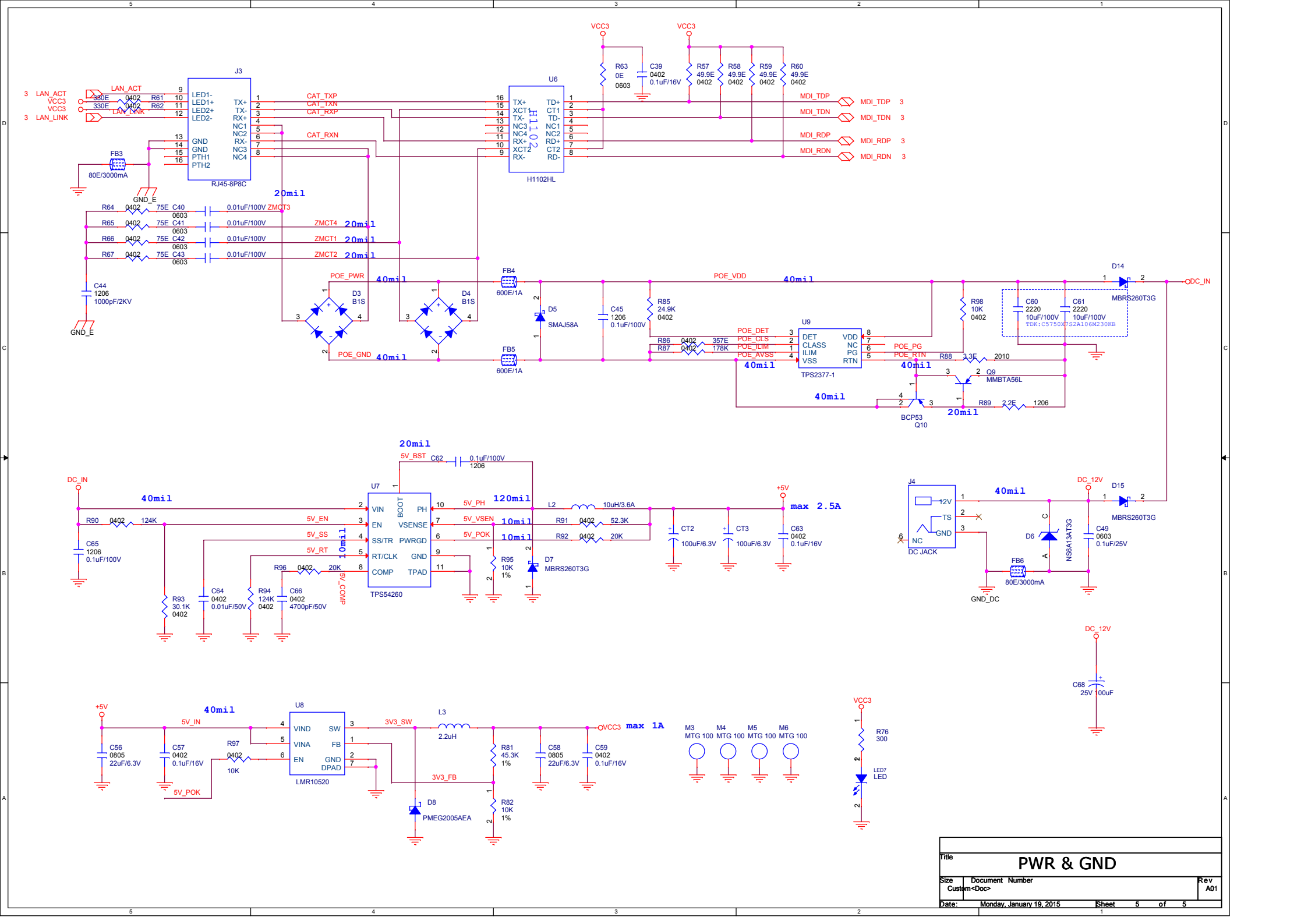
| | | | | | |
|-------|--------------------------|-------|------------|----|-----|
| Title | | | MCU | | |
| Size | Document Number | | | | Rev |
| B | <Doc> | | | | A01 |
| Date: | Monday, January 19, 2015 | Sheet | 2 | of | 5 |



| | | |
|------------------------|--------------------------|--------------|
| Title | | |
| 10/100 Ethernet | | |
| Size | Document Number | Rev |
| Custom<Doc> | | A01 |
| Date: | Monday, January 19, 2015 | Sheet 3 of 5 |



| | | | |
|-------|---------------------------|--------|--------|
| Title | | RS-232 | |
| Size | Document Number | Rev | |
| C | <Doc> | A01 | |
| Date: | Thursday, August 03, 2017 | Sheet | 4 of 5 |



| | | |
|----------------------|--------------------------|--------------|
| Title | | |
| PWR & GND | | |
| Size | Document Number | Rev |
| Custom- Doc- | | A01 |
| Date: | Monday, January 19, 2015 | Sheet 5 of 5 |