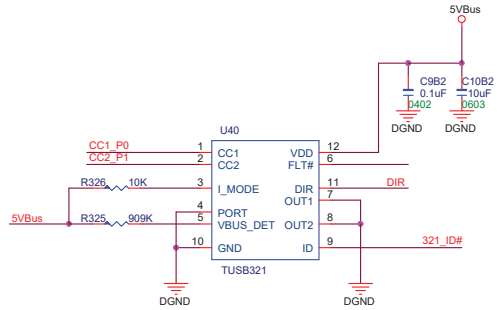
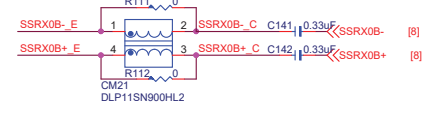
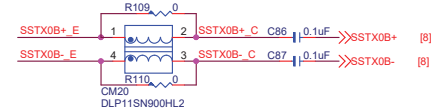
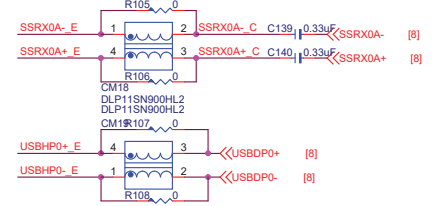
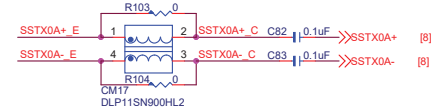
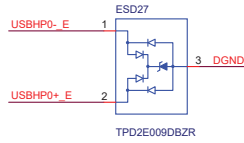
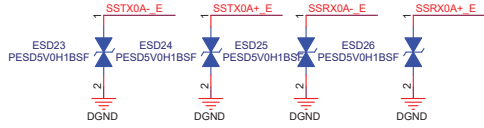
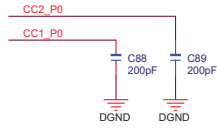
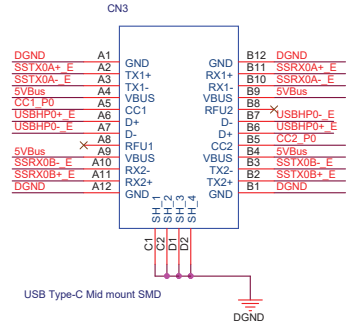


Layout note: USB differential trace is 90 Ohm characteristic impedance.

USB 3.1 Type-C Mid mount SMD Connector_Up Port



UFP MODE I_MODE ?

Table 2. Type-C Current Advertisement and Detection

TYPE-C CURRENT	UFP or DRP acting as UFP Current Detection	DFP or DRP acting as DFP Current Advertisement
Default	500 mA (USB2.0) 900 mA (USB3.1) OUT2 = High (unattached) or Low (attached)	OUT1 = High OUT2 = Low CURRENT_MODE = L
Medium - 1.5 A	OUT1 = Low OUT2 = High	CURRENT_MODE = M
High - 3 A	OUT1 = Low OUT2 = Low	CURRENT_MODE = H

