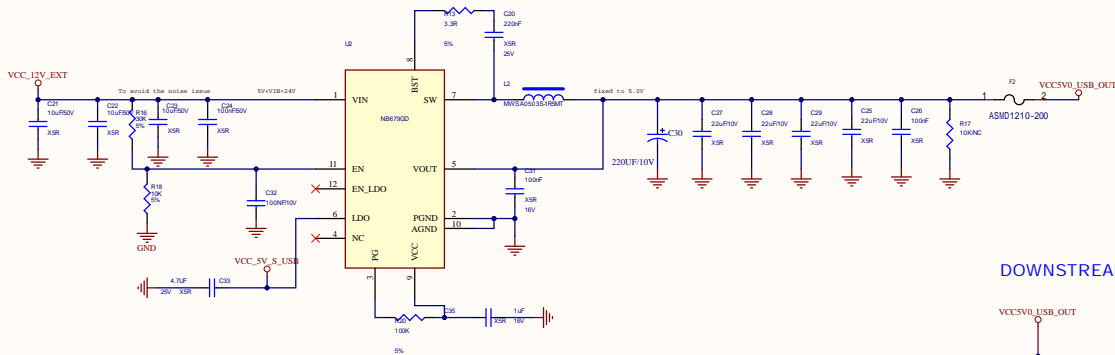


TEXAS INSTRUMENTS

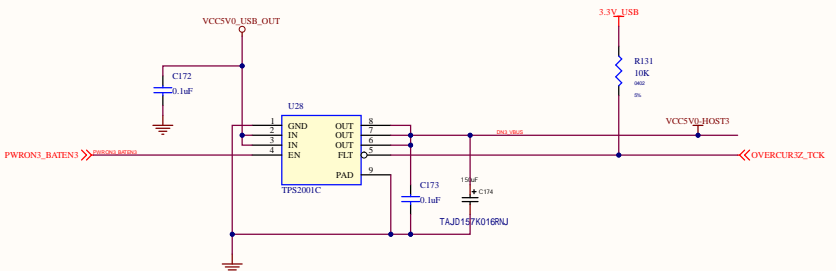
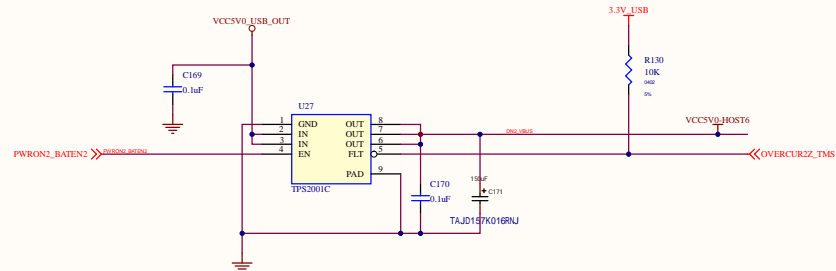
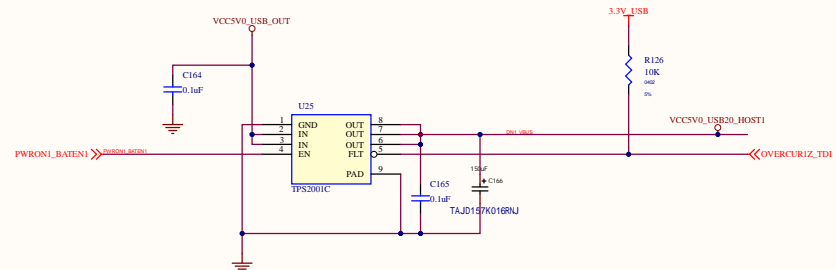
USB4041PAPEVM: USB2 CONNECTORS

| | |
|-------------|--------------|
| SIZE A | DWG NO: |
| SCALE: NONE | Sheet 2 of 3 |

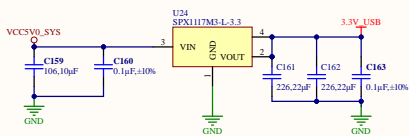
VCC5V0_USB



DOWNSTREAM PORT POWER SWITCHES



3.3V POWER



1.1V REGULATOR

