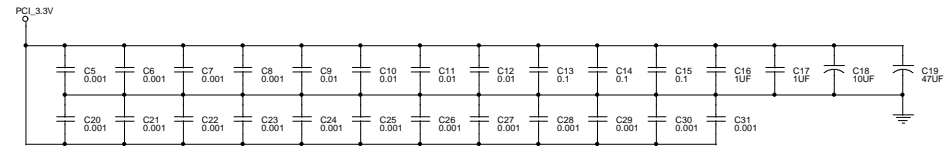
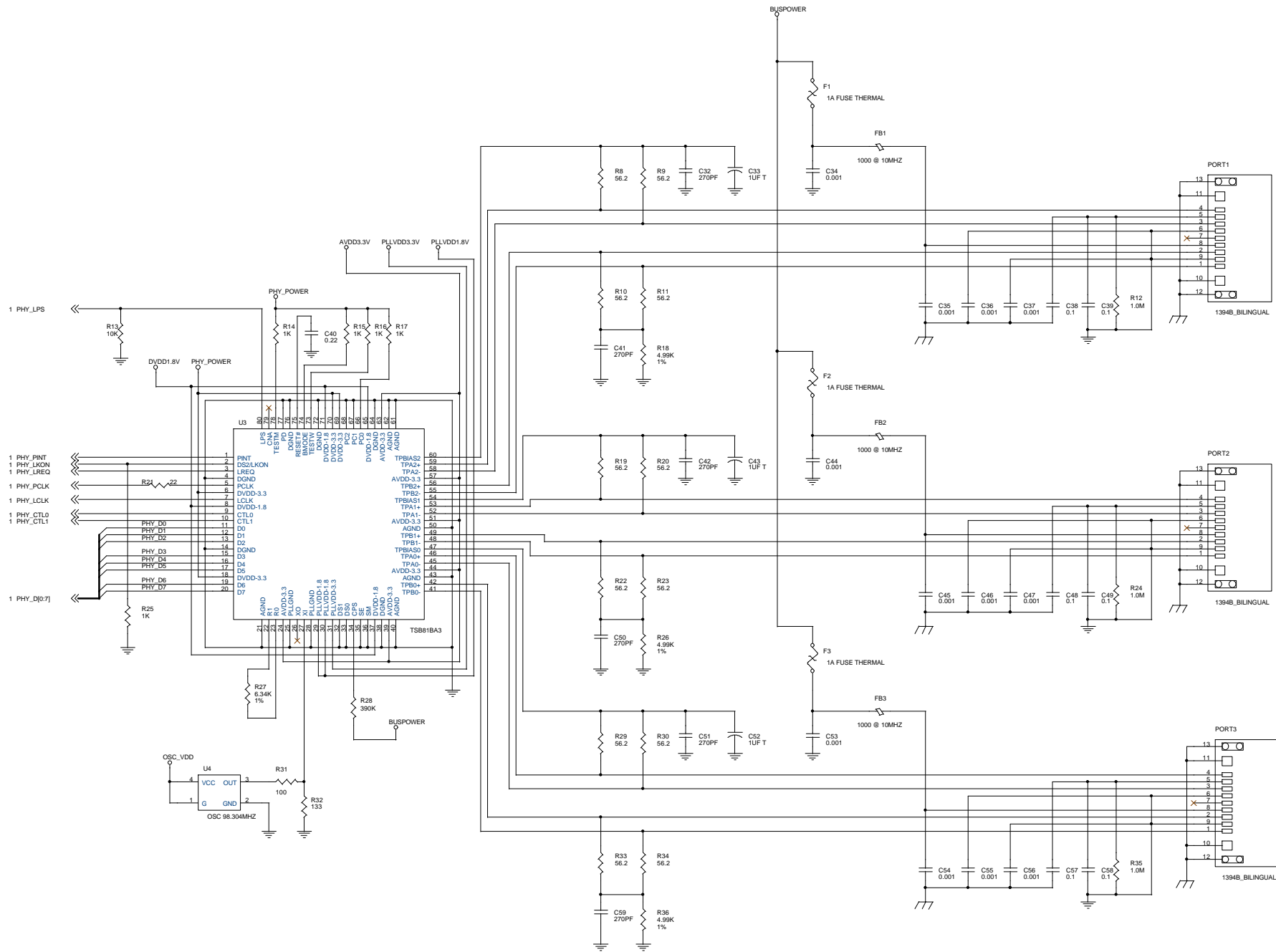


- 4 PCI_INTA#
- 4 PCI_RST#
- 4 PCI_CLK
- 4 PCI_GNT#
- 4 PCI_REQ#
- 4 PCI_PME#
- 4 PCI_CBE3#
- 4 PCI_IDSEL
- 4 PCI_AD[6:3:0]
- 4 PCI_CBE2#
- 4 PCI_FRAME#
- 4 PCI_RDY#
- 4 PCI_TRDY#
- 4 PCI_DEVSEL#
- 4 PCI_STOP#
- 4 PCI_PERR#
- 4 PCI_SERR#
- 4 PCI_PAR
- 4 PCI_CBE1#
- 4 PCI_CBE0#
- 4 PCI_ACK64#
- 4 PCI_REQ64#
- 4 PCI_CBE7#
- 4 PCI_CBE6#
- 4 PCI_CBE5#
- 4 PCI_CBE4#
- 4 PCI_PAR64

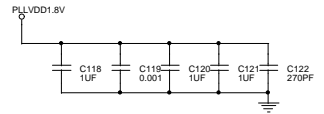
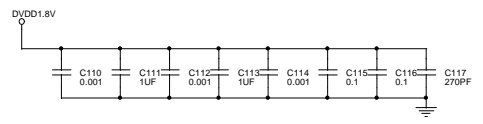
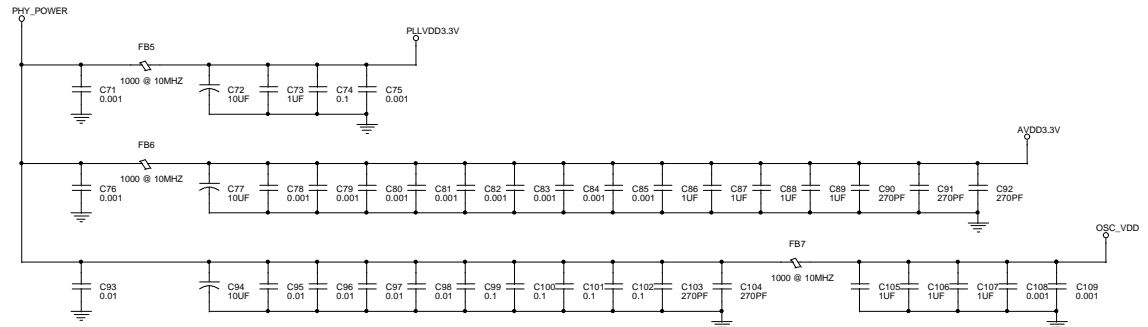
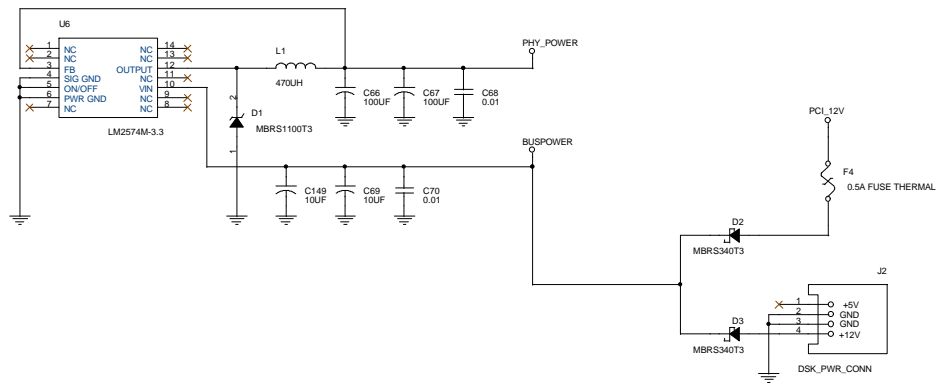
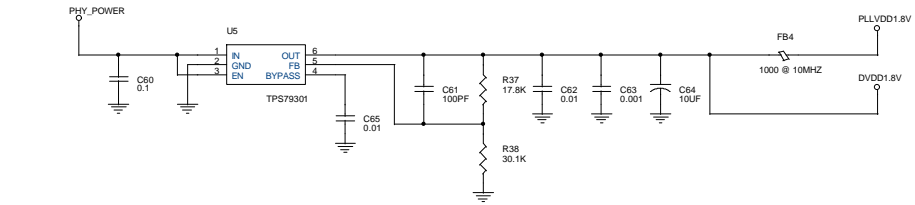
- PHY_LPS
- PHY_PNT
- PHY_LKGN
- PHY_LKLN
- PHY_PCLK
- PHY_LCLK
- PHY_CTL0
- PHY_CTL1
- PHY_D[0:7]



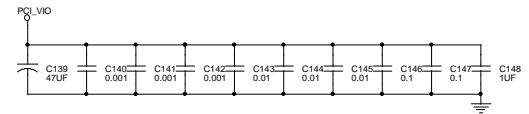
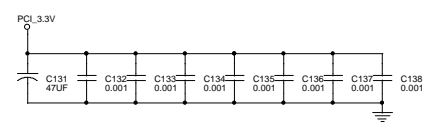
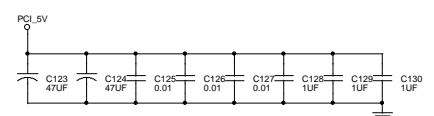
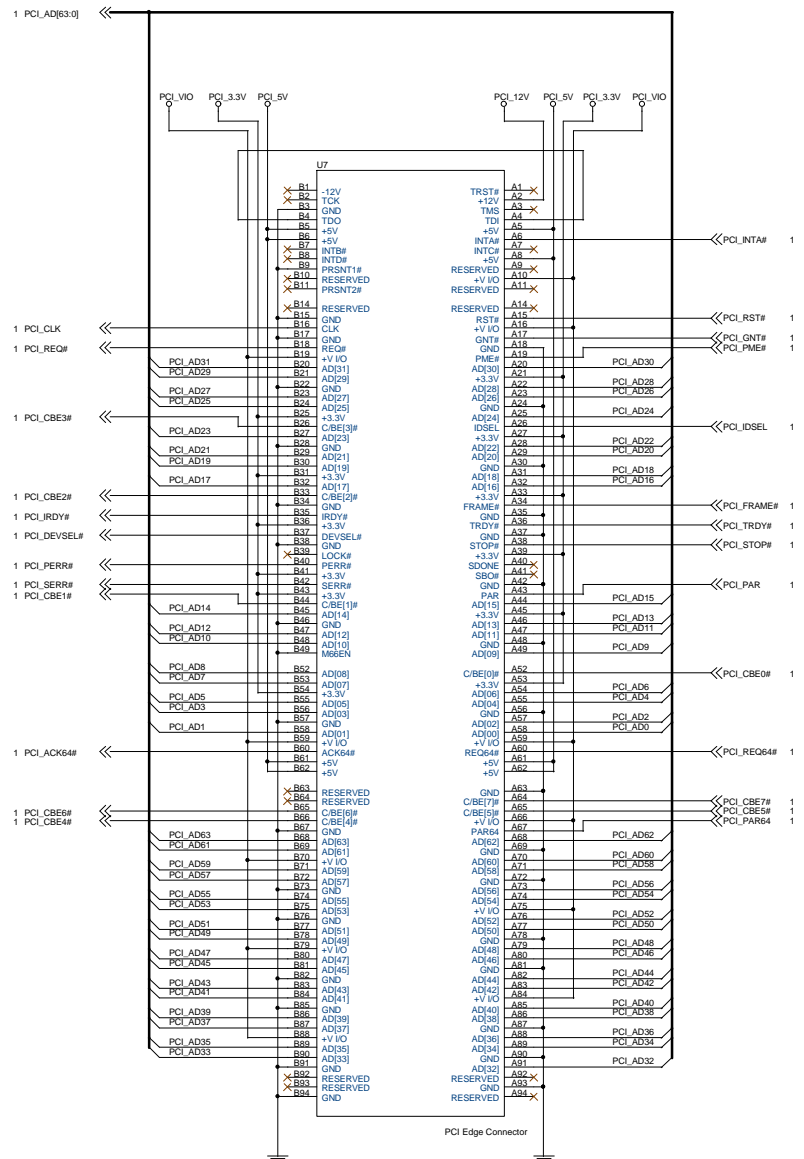
Title		
TS882AA2 REFERENCE SCHEMATICS		
Size	Document Number	Rev
C	TS882AA2 LYNX CONTROLLER	A
Date	Friday, March 14, 2003	Sheet 1 of 4



Title		
TSB82A2 REFERENCE SCHEMATICS		
Size	Document Number	Rev
C	TSB82A2 PHY CONTROLLER	A
Date:	Friday, March 14, 2003	Sheet 2 of 4



Title		
TSB82AA2 REFERENCE SCHEMATICS		
Size	Document Number	Rev
C	POWER	A
Date	Friday, March 14, 2003	Sheet 3 of 4



Title			TSB82AA2 REFERENCE SCHEMATICS
Size	Document Number	Rev	A
C	PCI EDGE CONNECTOR		
Date	Friday, March 14, 2003	Sheet	4 of 4