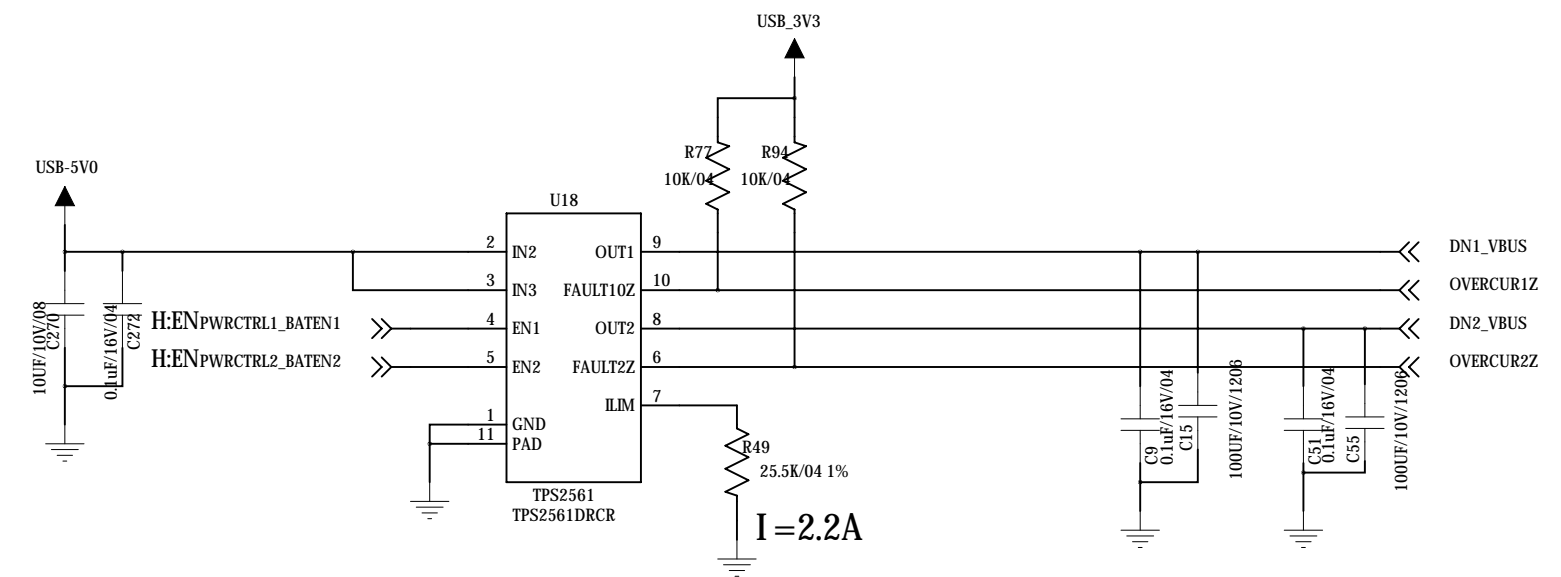
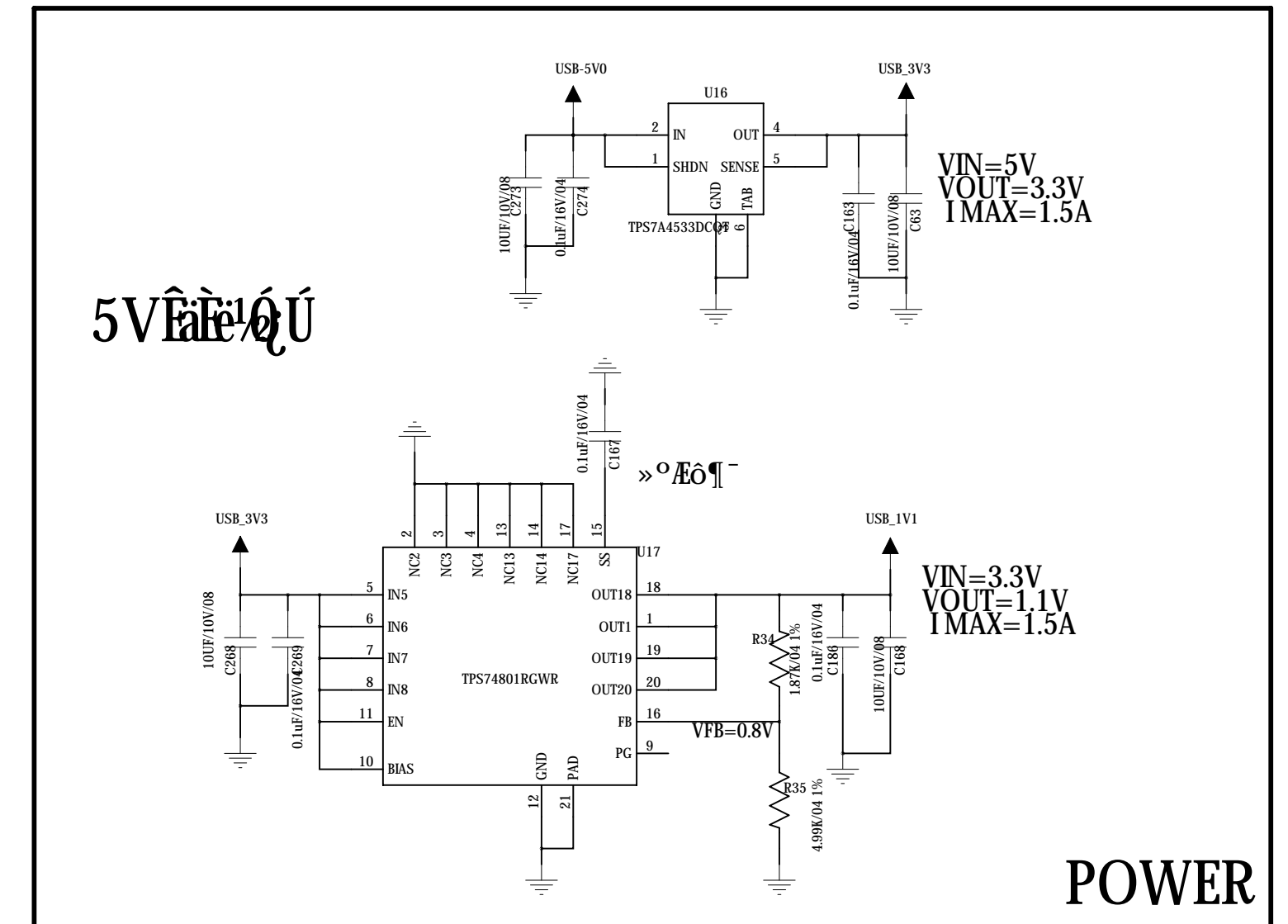
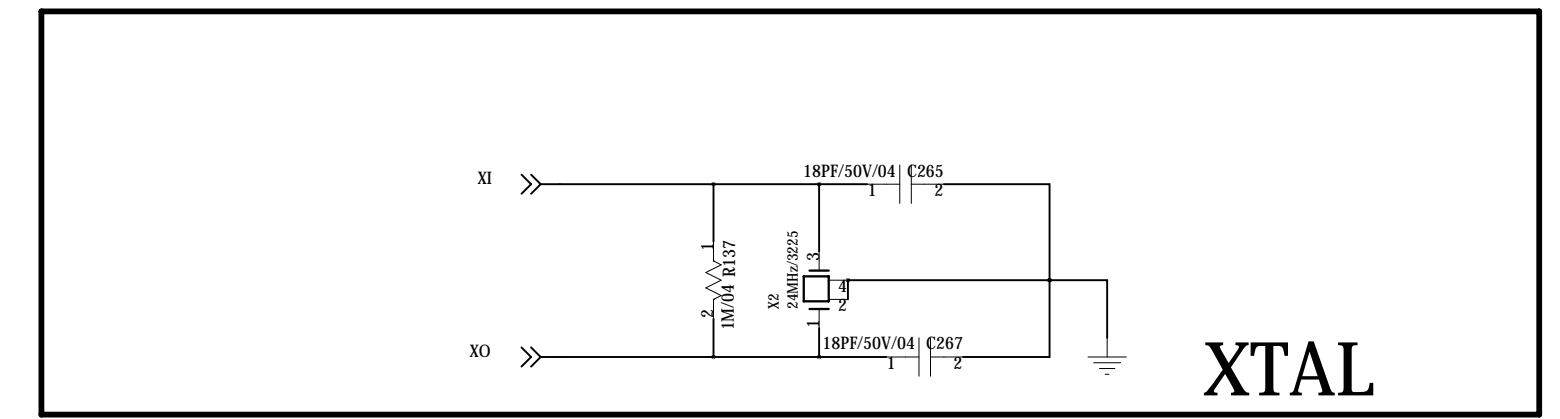
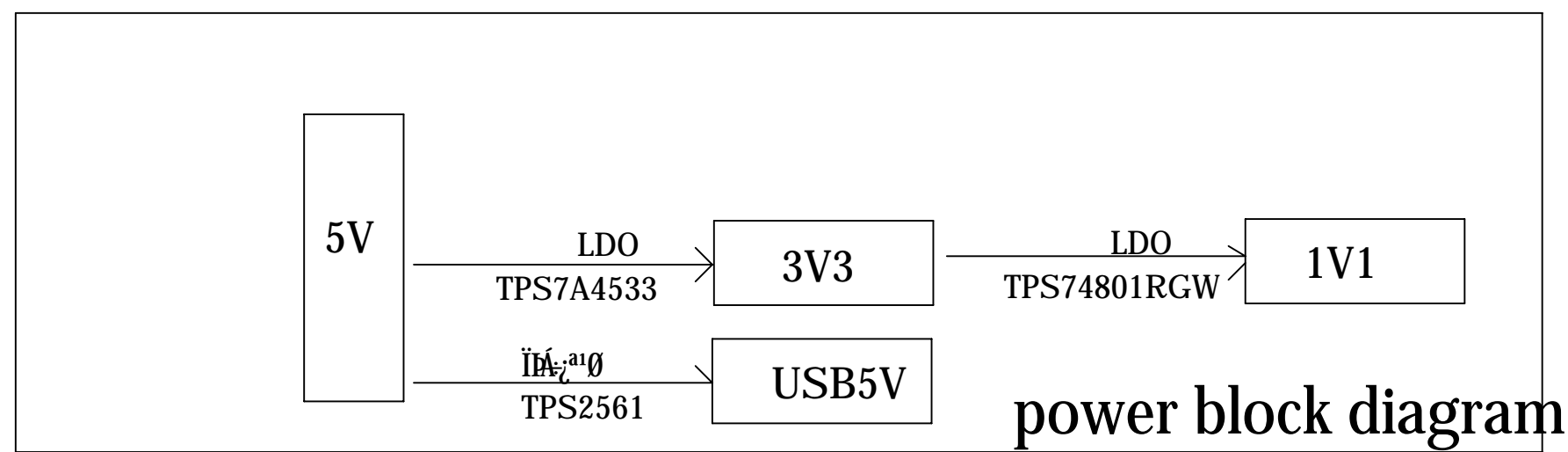
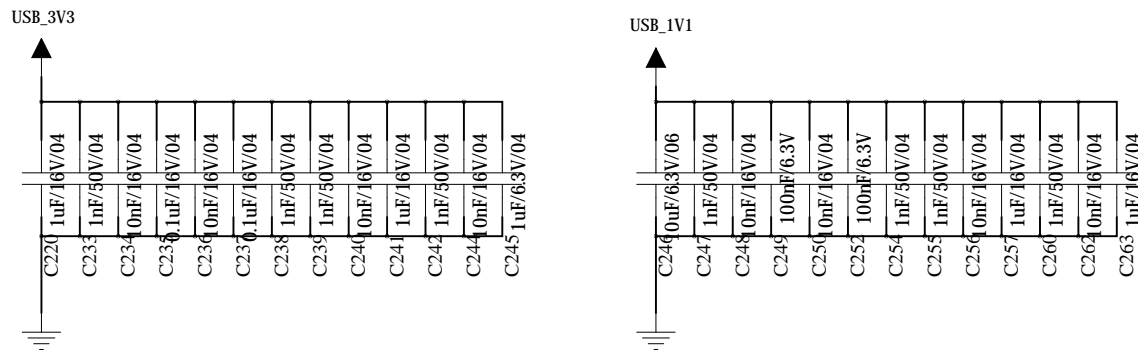
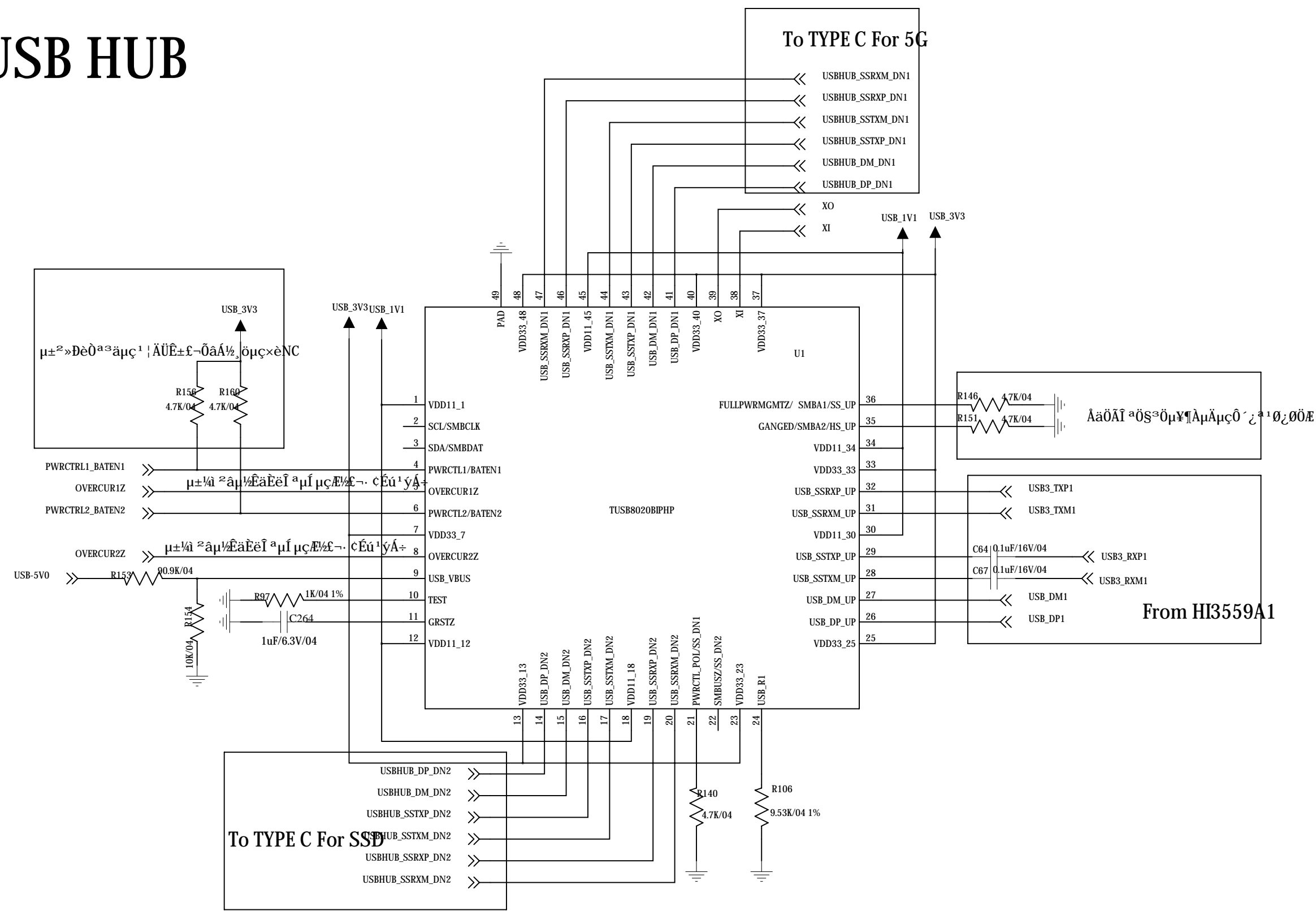


# USB HUB



USB limit current switch

