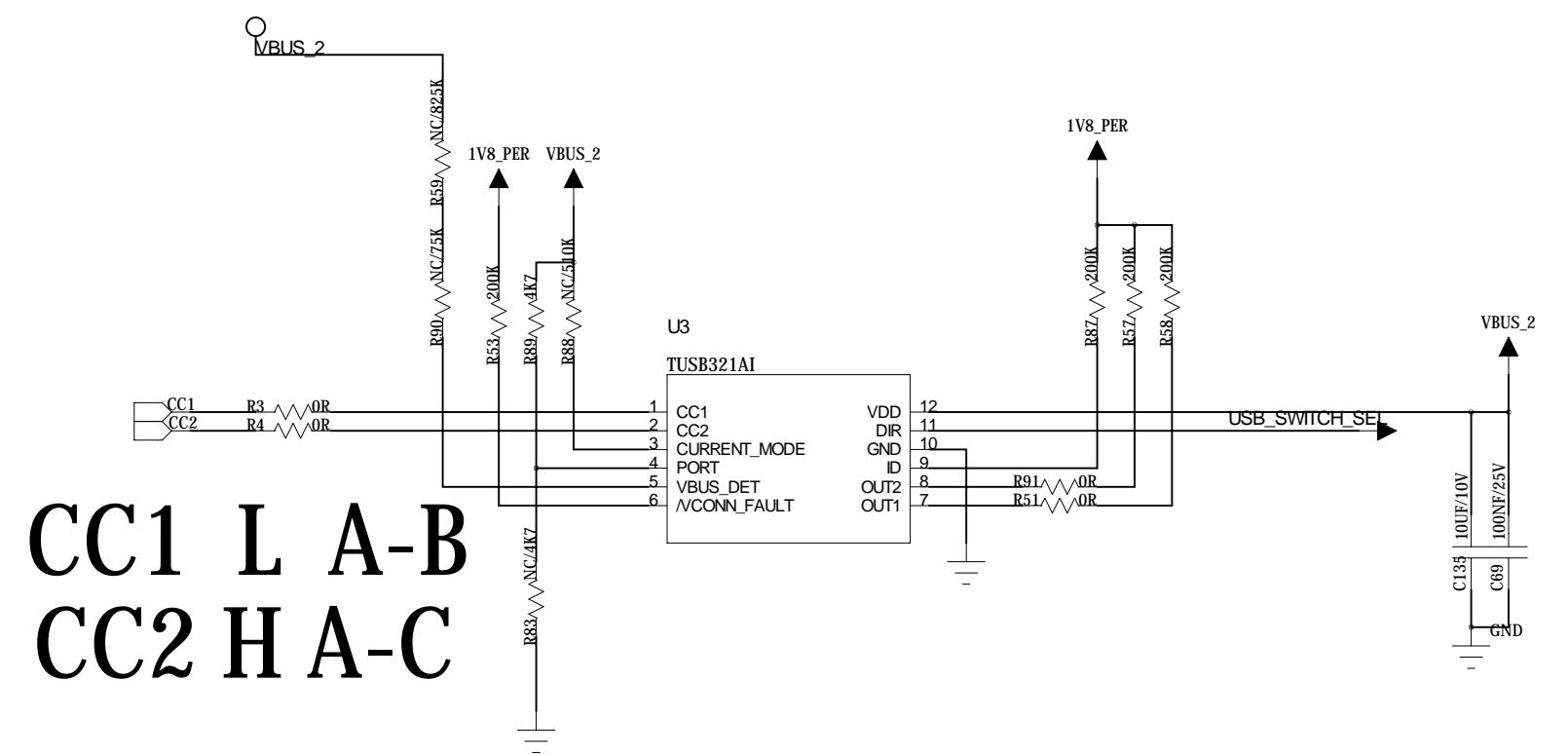


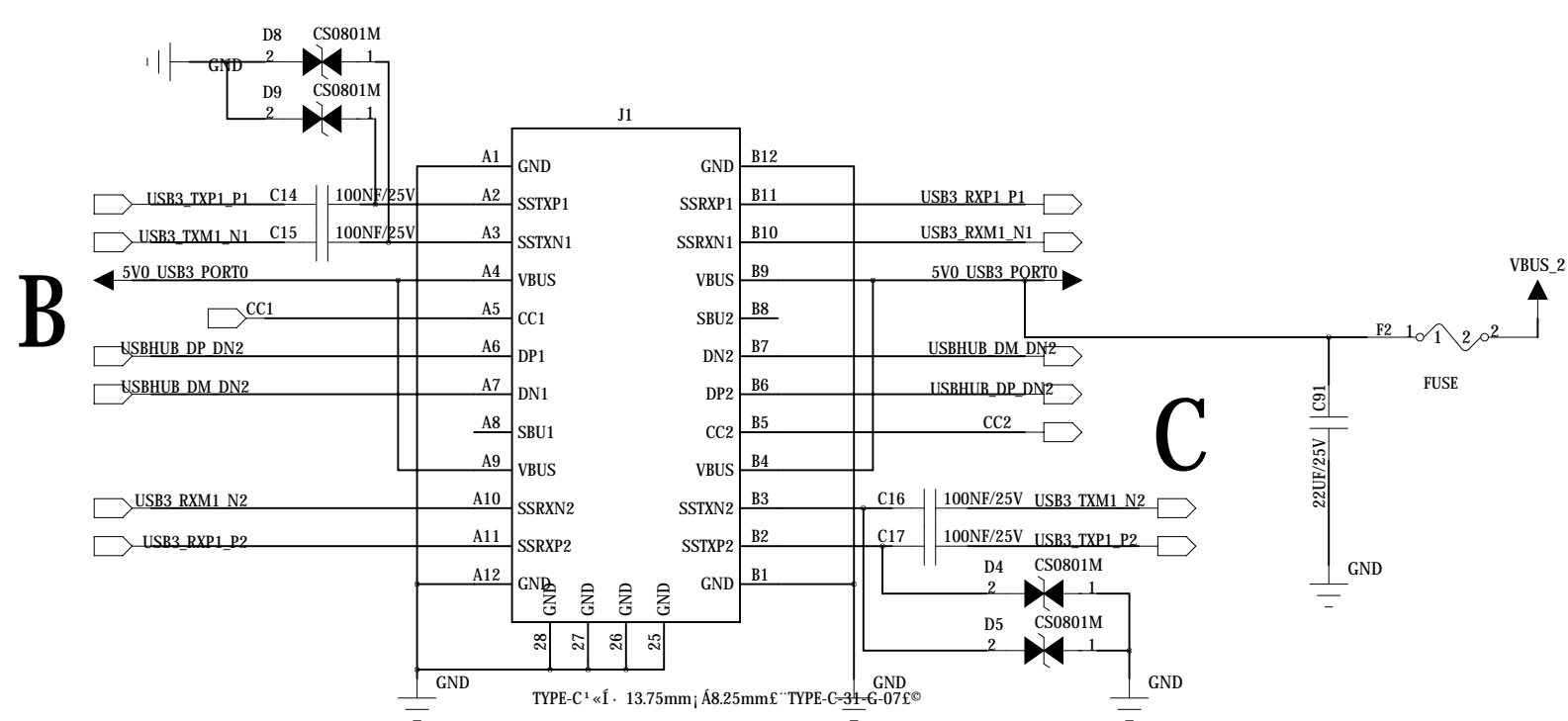
**B**  
**C**



**CC1 L A-B**  
**CC2 H A-C**

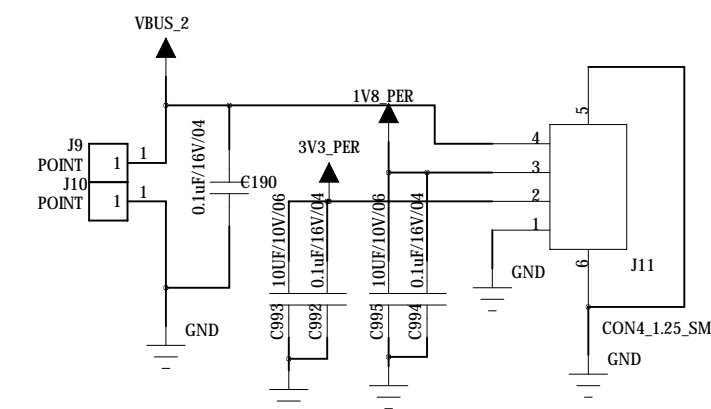
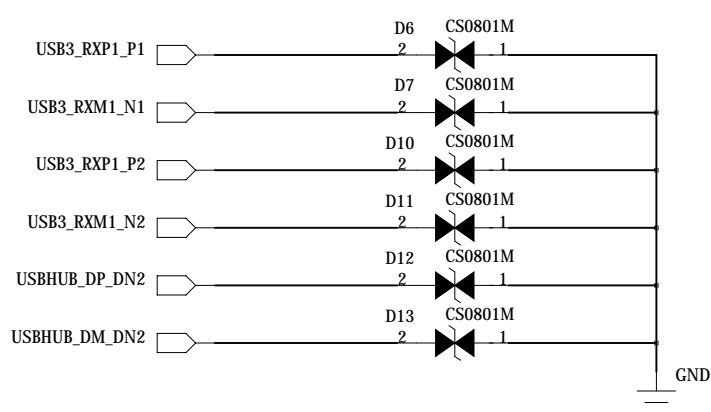
USB 1 à 5. 0.5 A

USB 2 à 5. 1.2 A

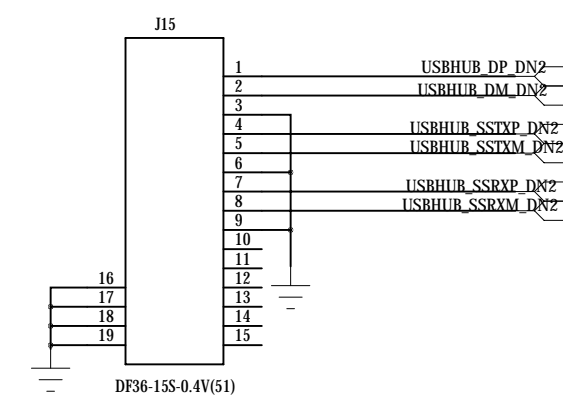


**B**

**C**

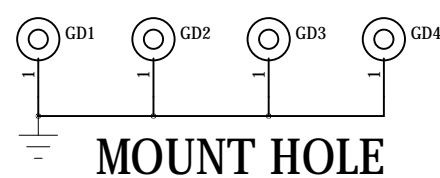


POWER IN From 59A



USB 3.0 From 59A

SSD JACK



MOUNT HOLE