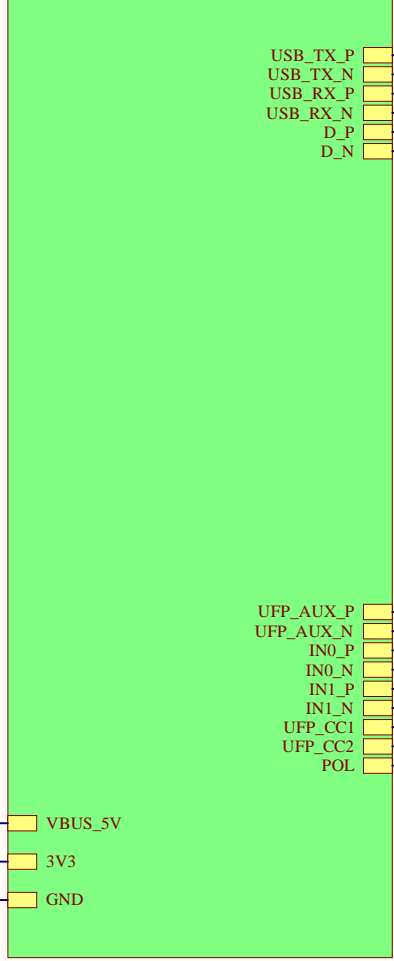
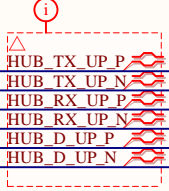


△ TYPE-C母头, 直连到HUB芯片

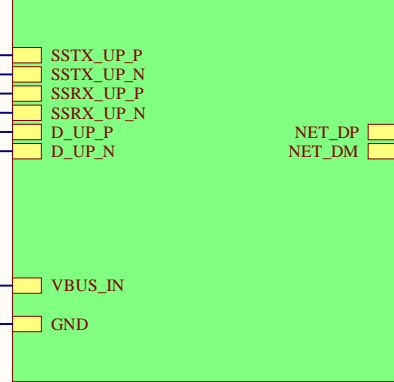
UPSTREAM\_USB



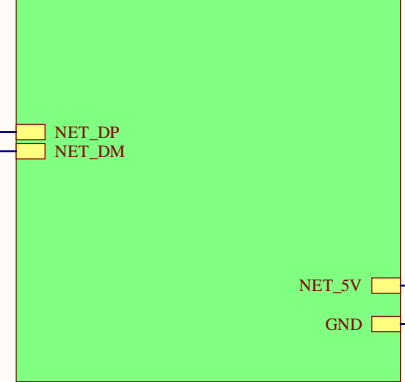
USB\_HUB\_IC\_IN 90



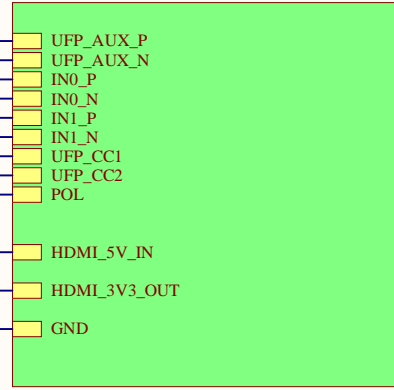
USB\_Hub



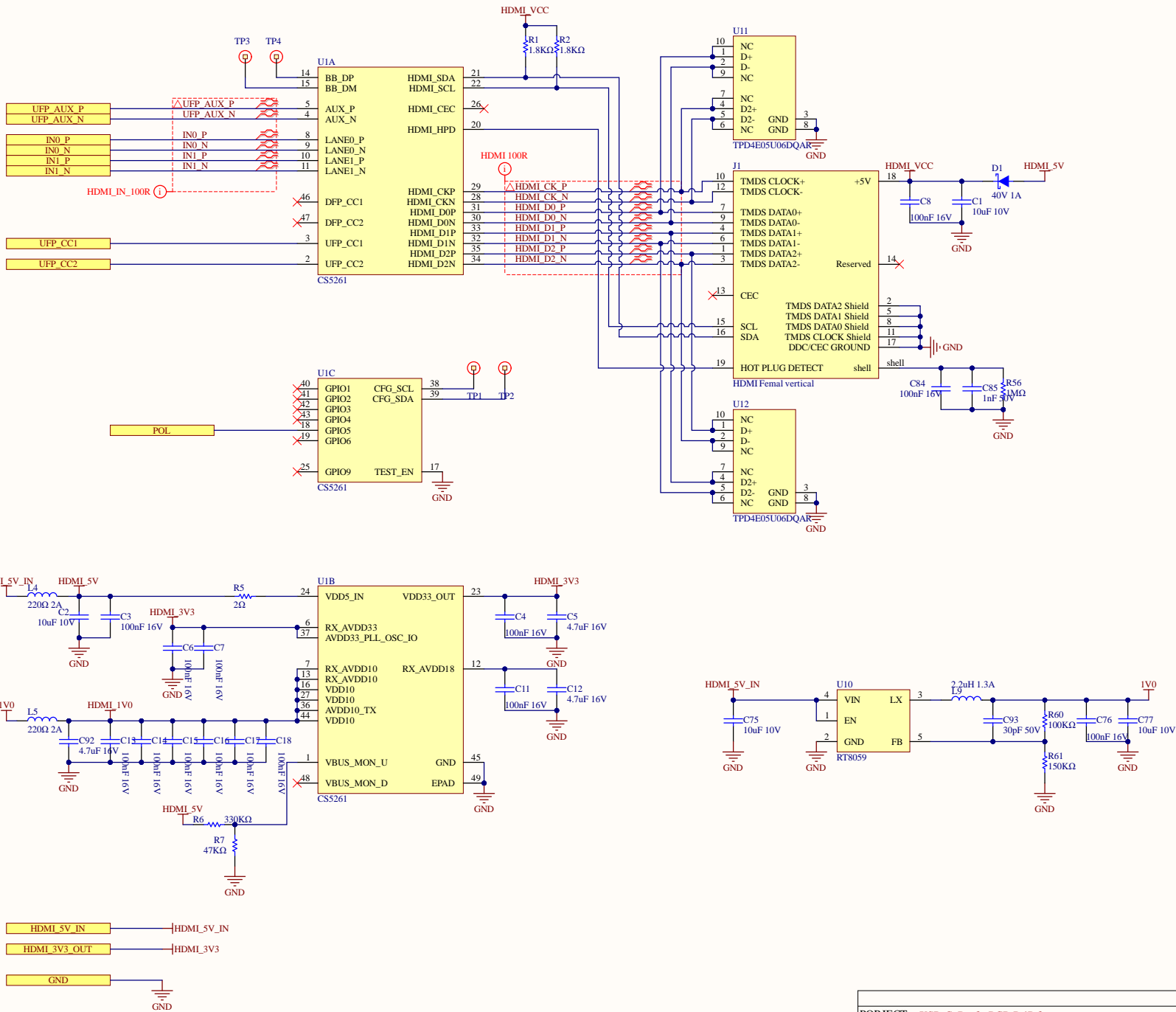
Net



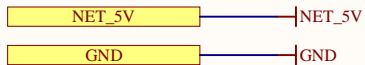
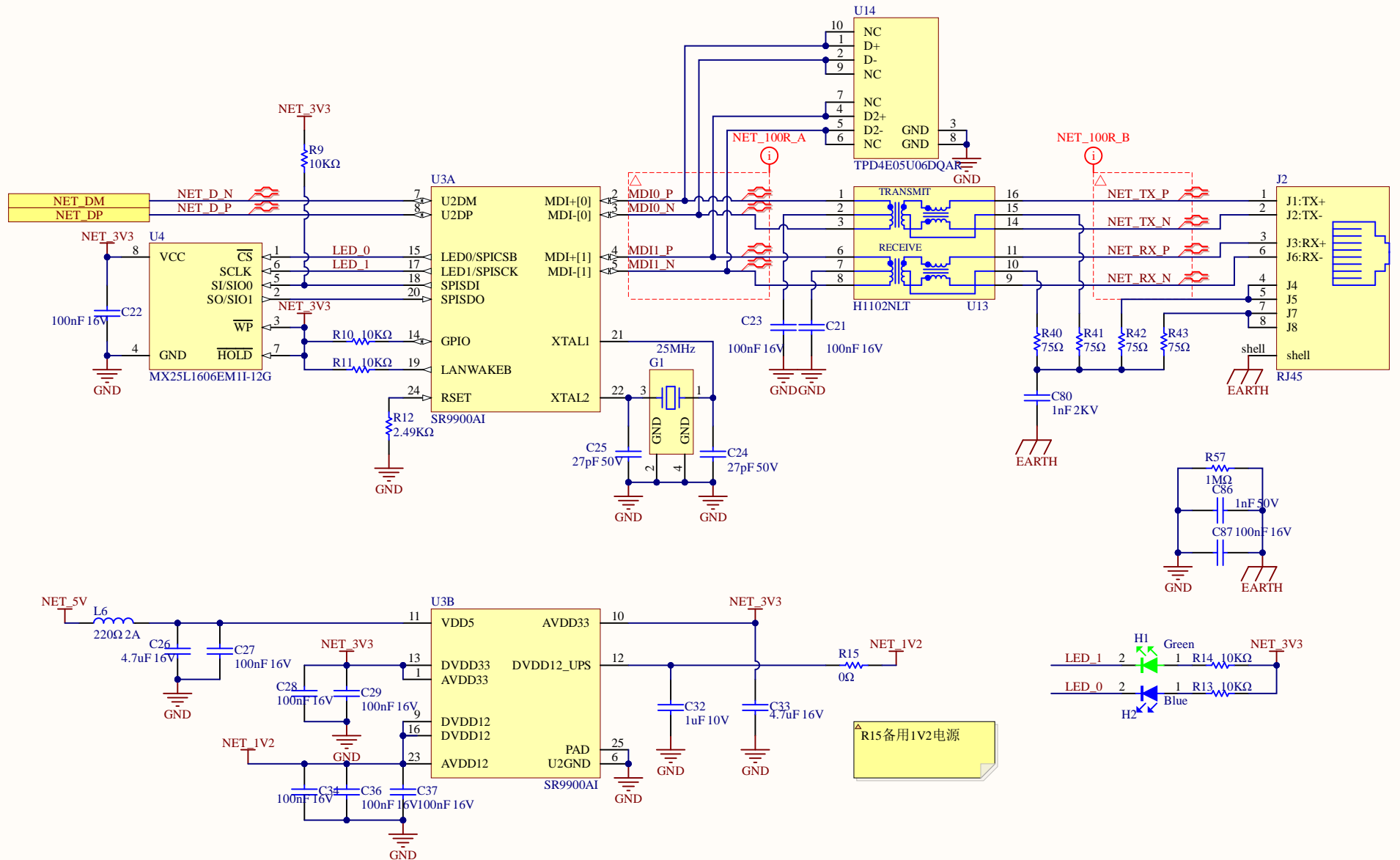
HDMI



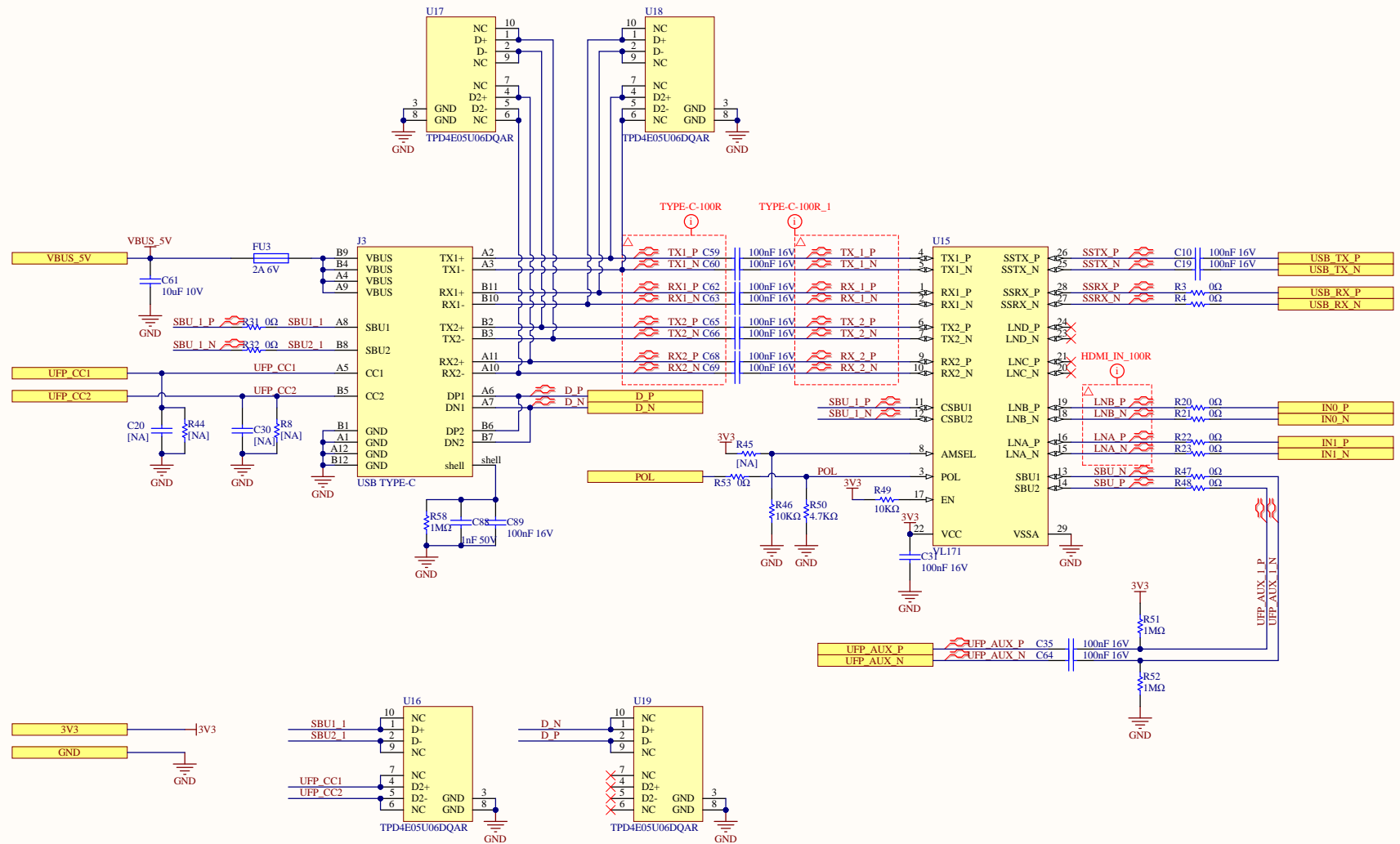
PROJECT: <i>USB-C_Dock_PCB.PrjPcb</i>		
TITLE: <i>Main</i>		
MODEL:	DWG NO:	REV: <i>V1.1.2</i>
DRAWN: <i>wenbang zheng</i>	DATED: <i>2023.06.25</i>	SIZE: <i>A4</i>
CHECKED:	DATED:	SHEET: <i>1 OF 9</i>



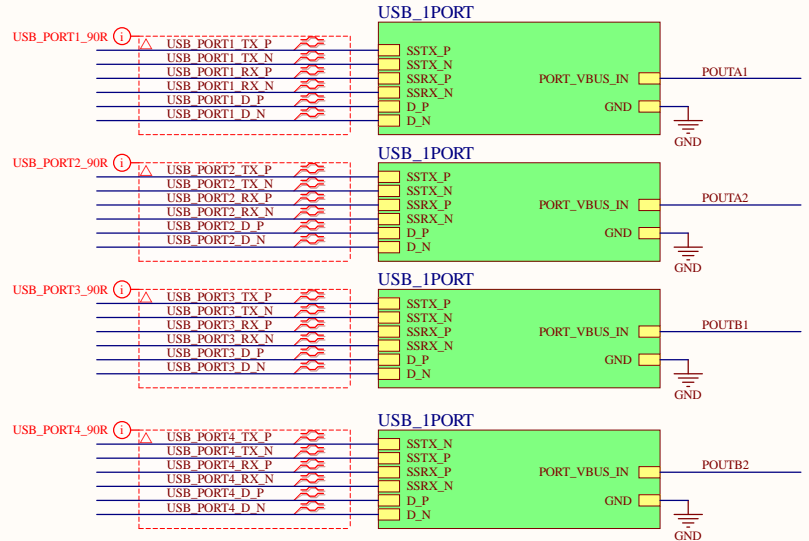
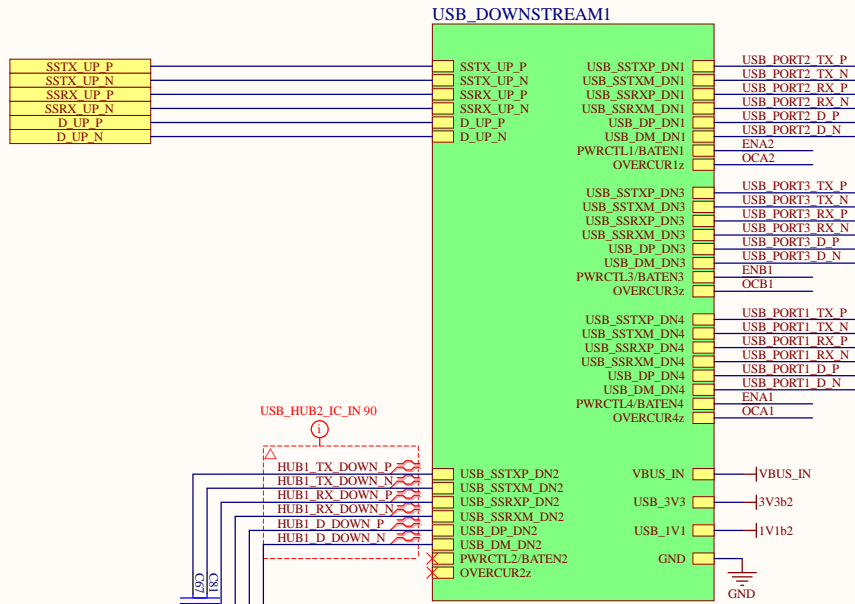
PROJECT: <i>USB-C Dock_PCB.PriPcb</i>		
TITLE: <i>HDMI</i>		
MODEL:	DWG NO:	REV: <i>VI.1.2</i>
DRAWN: <i>wenbang zheng</i>	DATED: <i>2023.06.25</i>	SIZE: <i>A3</i>
CHECKED:	DATED:	SHEET: <i>2 OF 9</i>



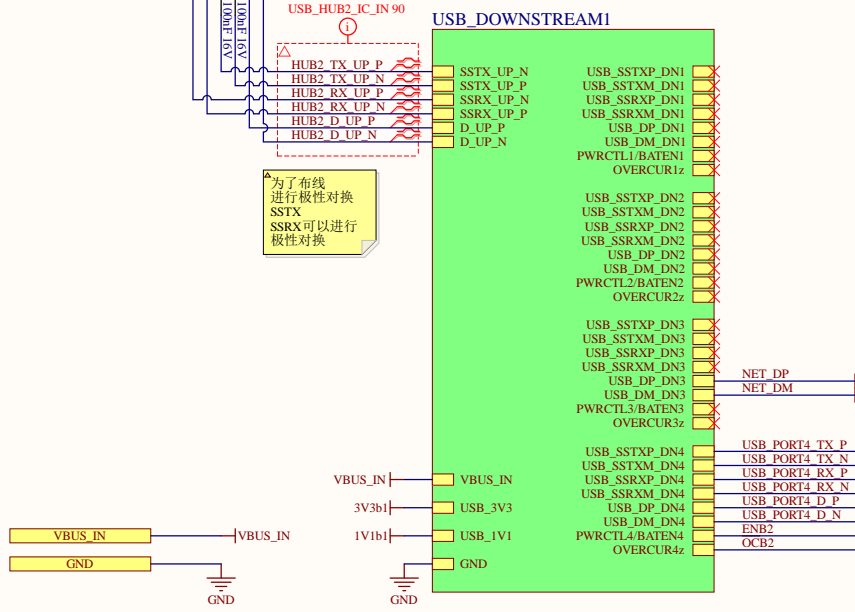
PROJECT: <i>USB-C_Dock_PCB.PrjPcb</i>		
TITLE: <i>NET</i>		
MODEL:	DWG NO:	REV: <i>V1.1.2</i>
DRAWN: <i>wenbang zheng</i>	DATED: <i>2023.06.25</i>	SIZE: <i>A4</i>
CHECKED:	DATED:	SHEET: <i>3 OF 9</i>



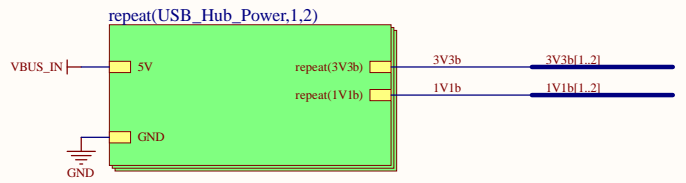
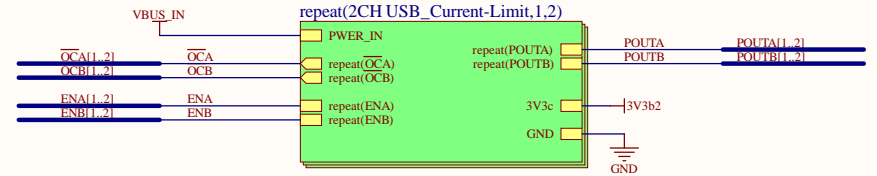
PROJECT: <b>USB-C Dock PCB.PjPcb</b>		
TITLE: <b>USB UP stream</b>		
MODEL:	DWG NO:	REV: <b>VI.1.2</b>
DRAWN: <b>wenbang zheng</b>	DATED: <b>2023.06.25</b>	SIZE: <b>A3</b>
CHECKED:	DATED:	SHEET: <b>4 OF 9</b>



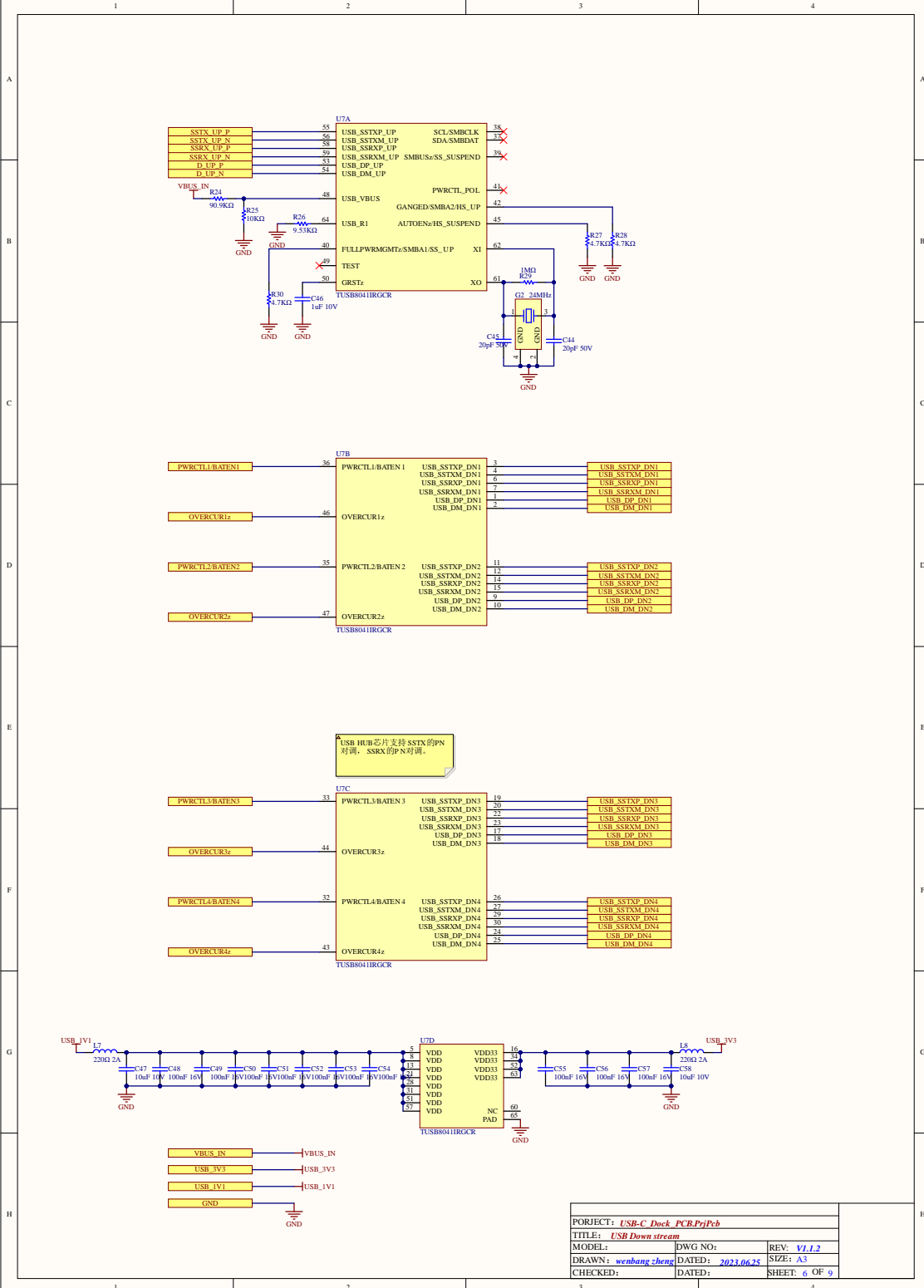
为了布线进行极性对换 SSTX 可以进行极性对换

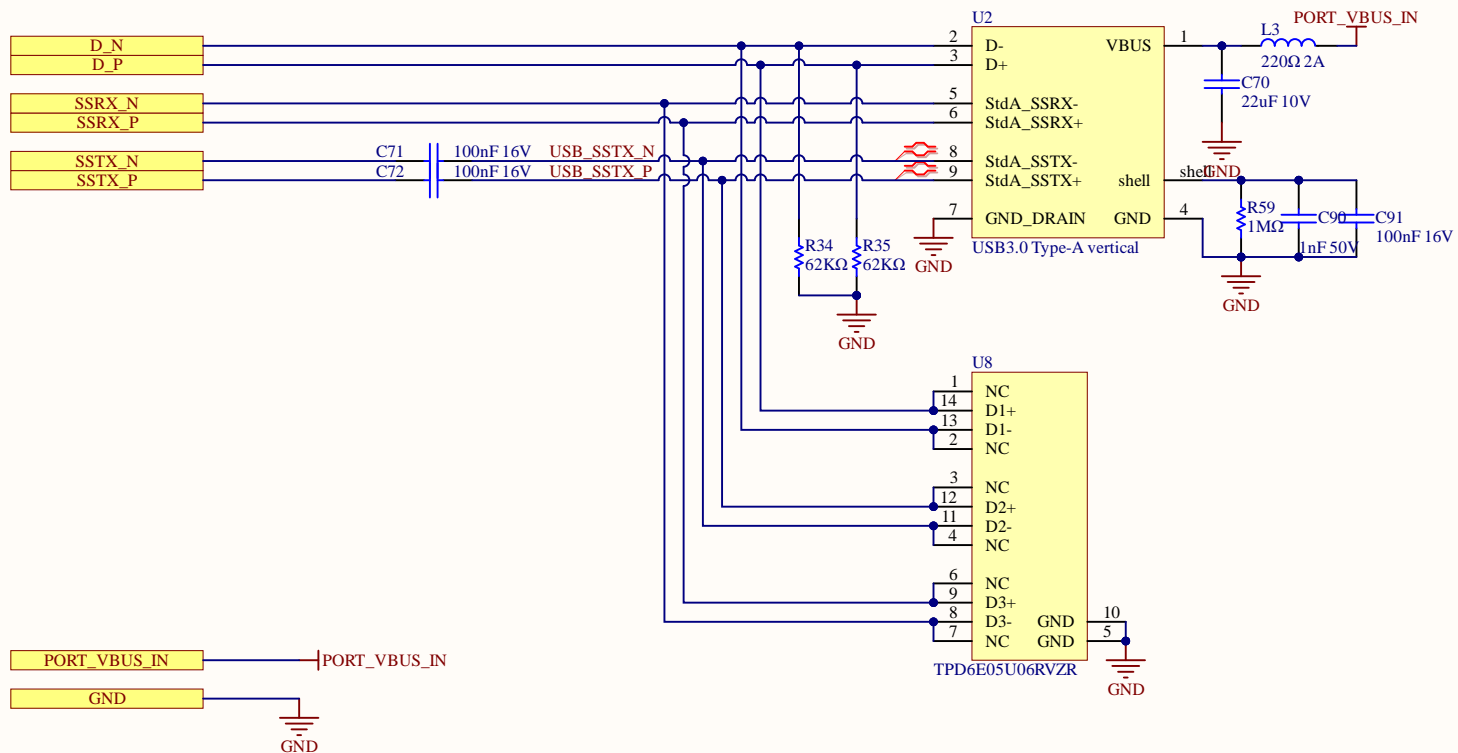


为了布线进行极性对换 SSTX SSRX 可以进行极性对换

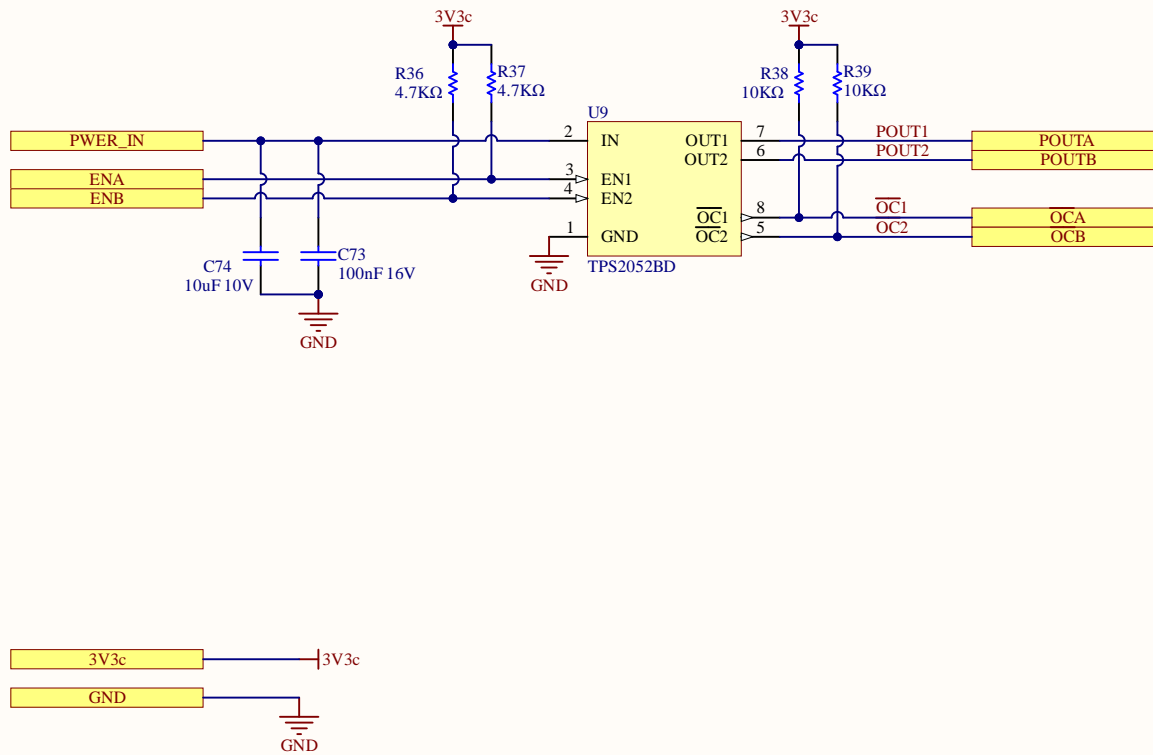


PROJECT: <b>USB-C Dock PCB.PriPcb</b>		
TITLE: <b>USB Hub</b>		
MODEL:	DWG NO:	REV: <b>VI.1.2</b>
DRAWN: <b>wenbang zheng</b>	DATED: <b>2023.06.25</b>	SIZE: <b>A3</b>
CHECKED:	DATED:	SHEET: <b>5 OF 9</b>



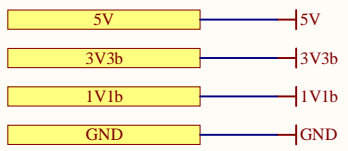
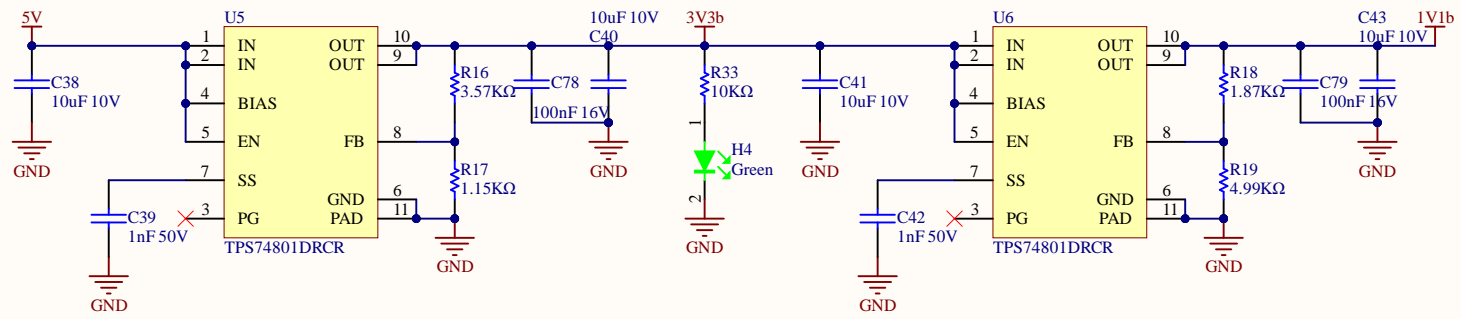


PROJECT: <i>USB-C_Dock_PCB.PrfPcb</i>		
TITLE: <i>USB 3.0 Port</i>		
MODEL:	DWG NO:	REV: <i>V1.1.2</i>
DRAWN: <i>wenbang zheng</i>	DATED: <i>2023.06.25</i>	SIZE: <i>A4</i>
CHECKED:	DATED:	SHEET: <i>7 OF 9</i>



PROJECT: <b>USB-C_Dock_PCB.PrfPcb</b>		
TITLE: <b>USB CurrentLimit</b>		
MODEL:	DWG NO:	REV: <b>V1.1.2</b>
DRAWN: <b>wenbang zheng</b>	DATED: <b>2023.06.25</b>	SIZE: <b>A4</b>
CHECKED:	DATED:	SHEET: <b>8 OF 9</b>





PROJECT: <i>USB-C_Dock_PCB.PrjPcb</i>		
TITLE: <i>USB Hub Power</i>		
MODEL:	DWG NO:	REV: <i>V1.1.2</i>
DRAWN: <i>wenbang zheng</i>	DATED: <i>2023.06.25</i>	SIZE: <i>A4</i>
CHECKED:	DATED:	SHEET: <i>9 OF 9</i>