

**HR641201E**

**Electrical Specification @25°C**

RoHS Compliant (Pb Free)

Operating Temperature Range: -40°C ~ +85°C

Isolation: 4500Vrms 1mA 60sec (Primary to Secondary)

OCL: 200uH Minimum @100KHz 100mV with 8mADC

Insertion Loss: -2.5dB Maximum @300KHz ~ 100MHz

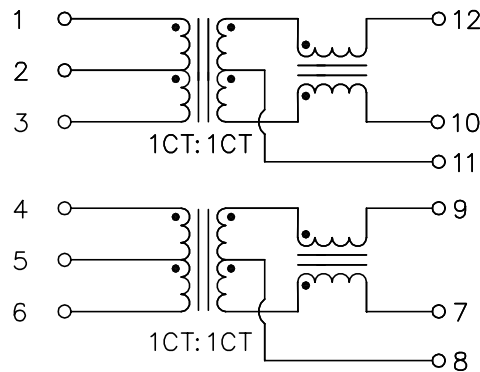
Return Loss: -10dB Minimum @1MHz ~ 30MHz / -7dB Minimum @30MHz ~ 60MHz  
-5dB Minimum @60MHz ~ 80MHz / -3.5dB Minimum @80MHz ~ 100MHz

Common Mode Rejection: -30dB Minimum @1MHz ~ 100MHz

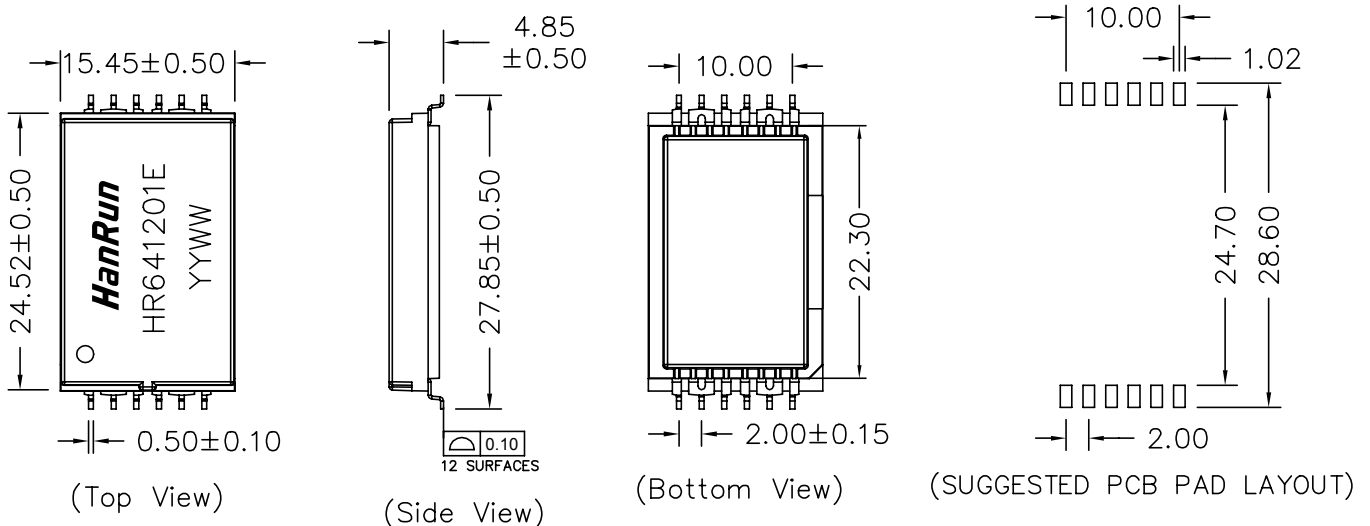
Crosstalk: -30dB Minimum @1MHz ~ 100MHz

creepage and clearance: 16mm Min.

**Schematics**



**Mechanical Dimensions**



Dimensions in mm

Unless otherwise specified, Tol.: .xx ±0.25

REV.: 00