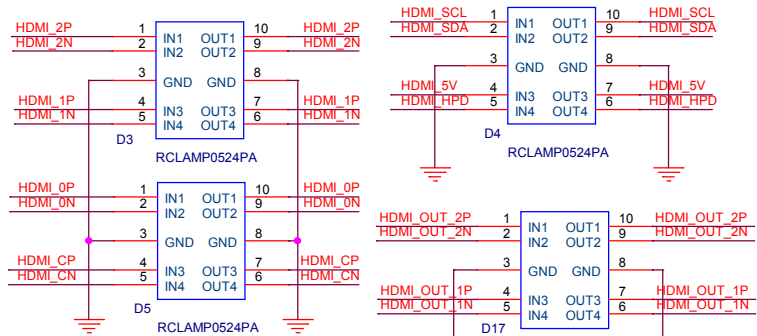
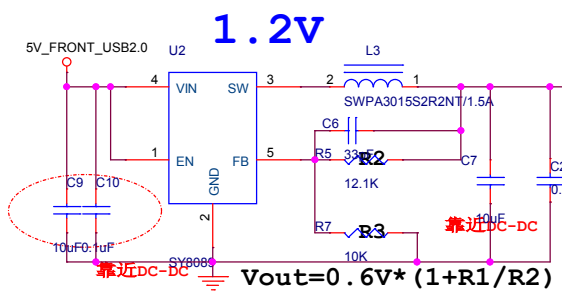
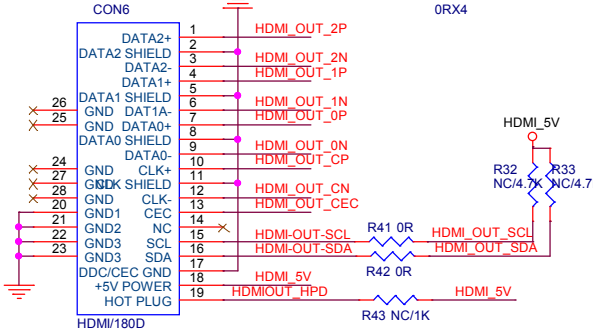
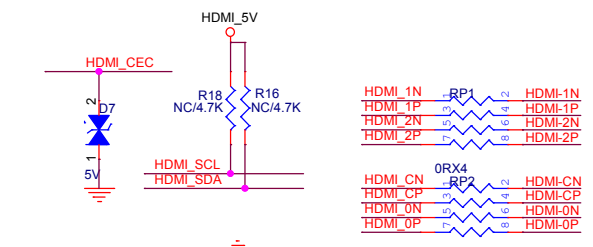
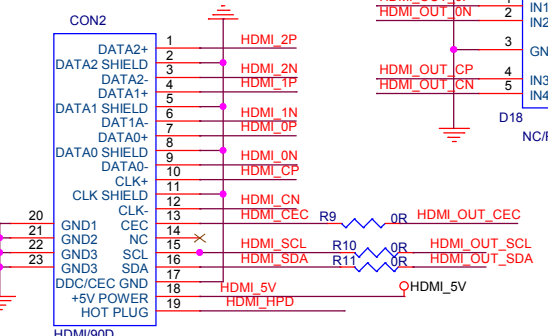


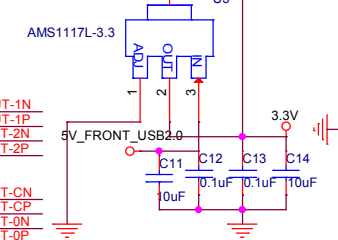
Title		
<Title>		
Size	Document Number	Rev
A4	<Doc>	<RevC>
Date:	Thursday, November 22, 2018	Sheet 1 of 3



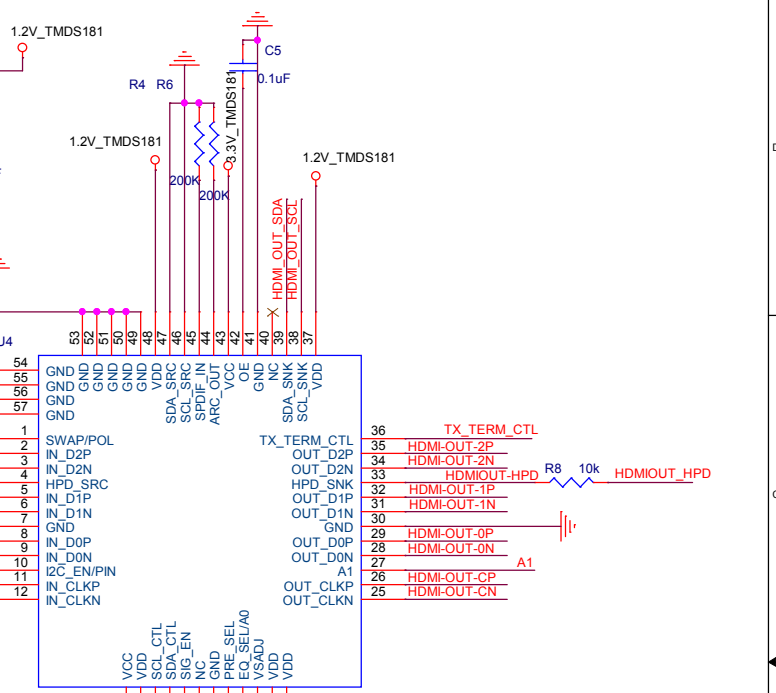
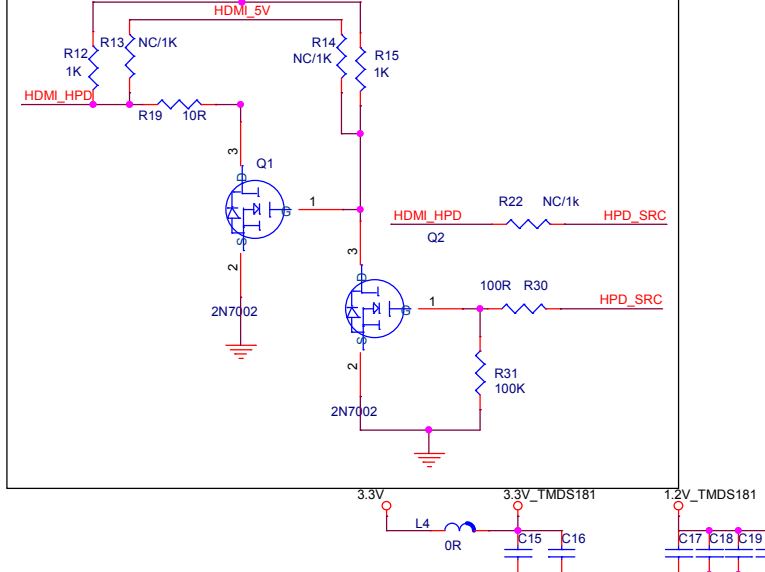
靠近端子放置



3.3V



5V HPD Implementation



Title		<Title>	Rev
Size	Document Number	<Doc>	<RevCode>
Date:	Wednesday, November 28, 2018	Sheet	2 of 3

