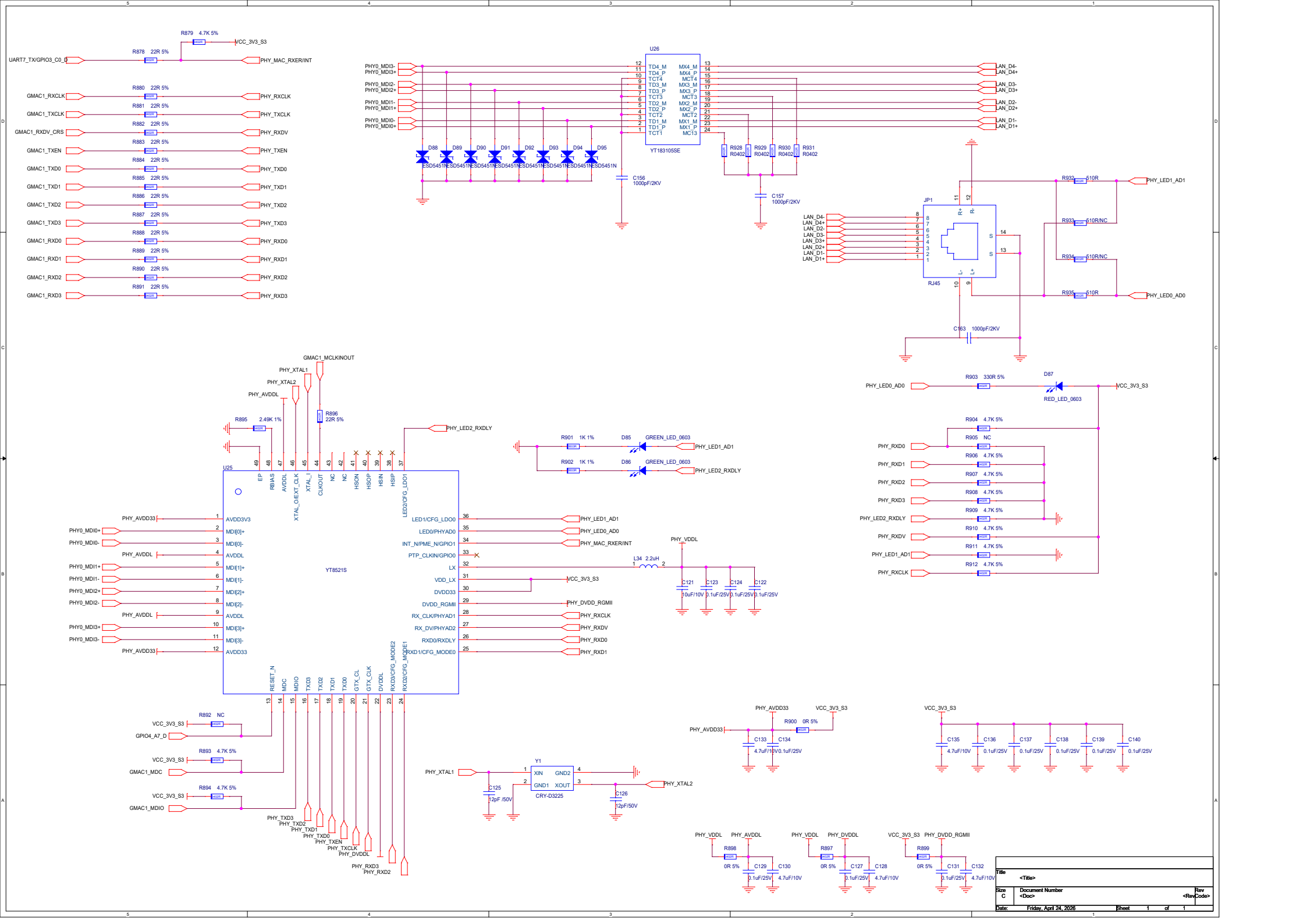


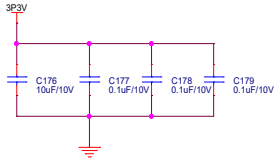
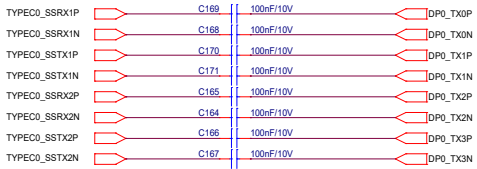
上电自动开机

Title		<Title>
Size	Document Number	<Doc>
C		<RevC>
Date:	Friday, April 24, 2026	Sheet 1 of 1

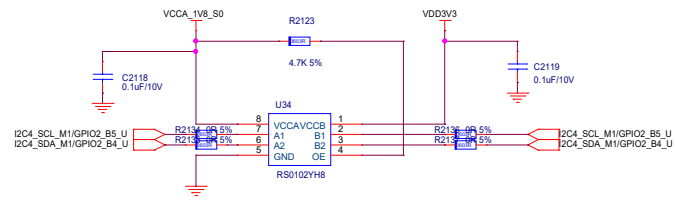
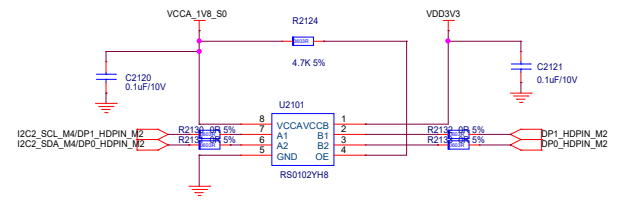
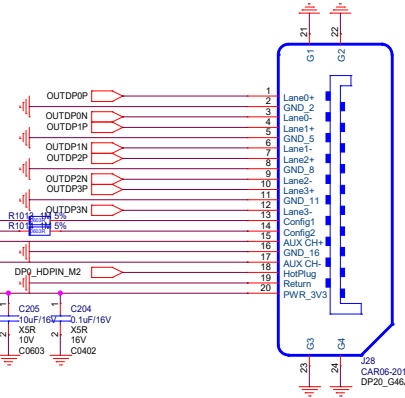
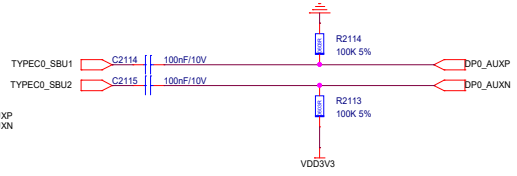
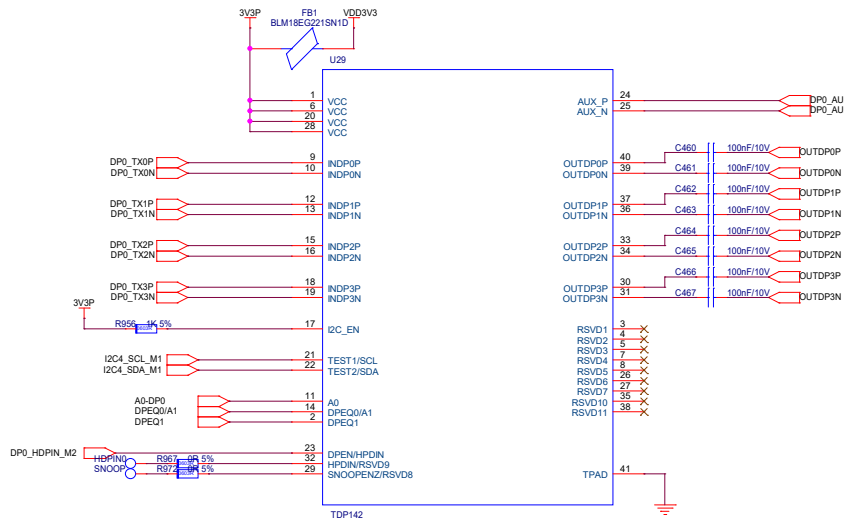
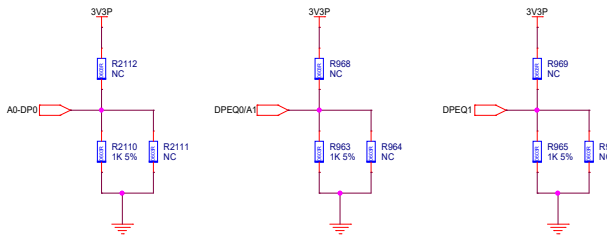


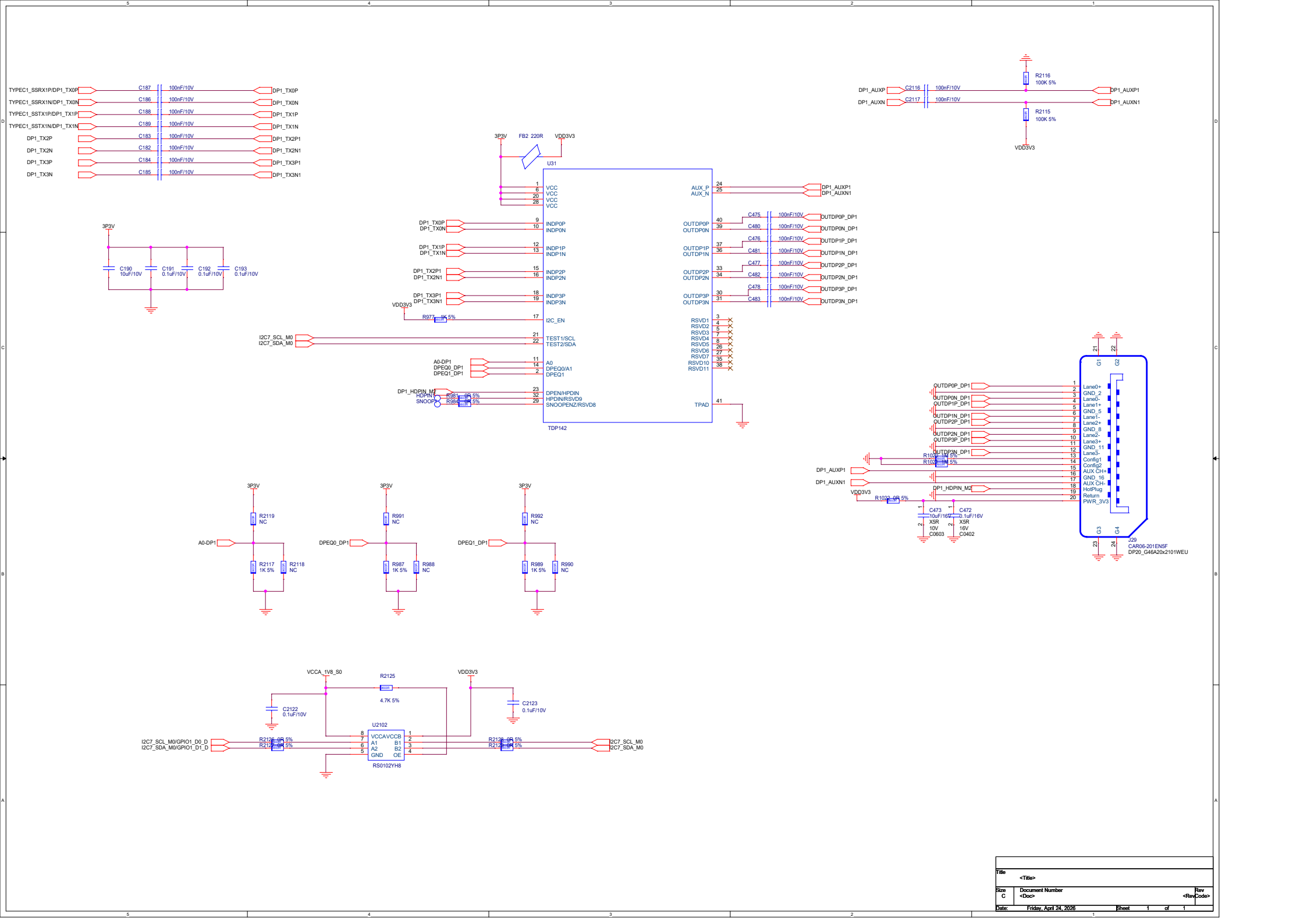
Title	<Title>	Rev	<Rev Code>
Size	Document Number		
C	<Doc>		
Date	Friday, April 24, 2026	Sheet	1 of 1



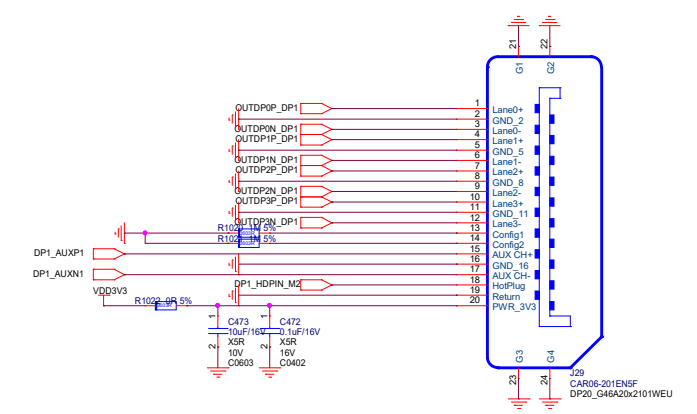
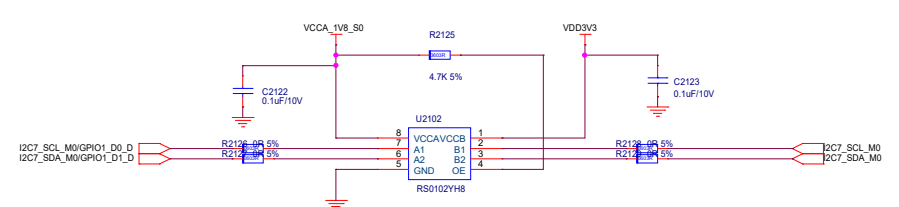
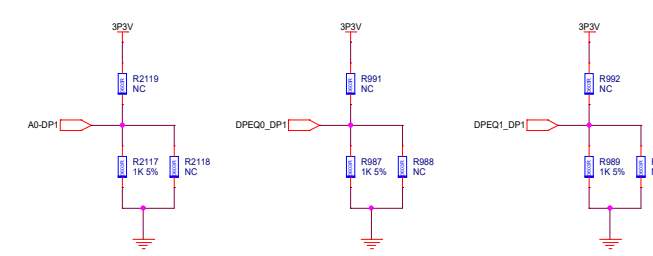
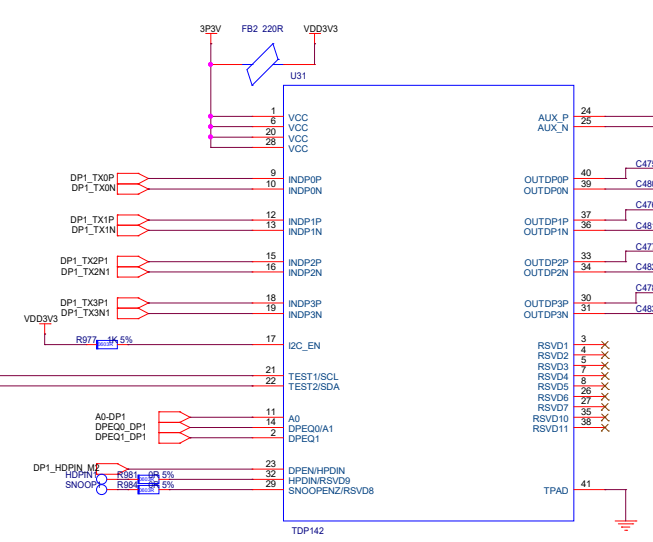
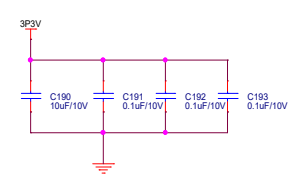
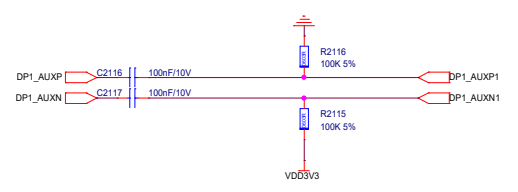


核心板已做1.8v上拉处理, 转接板不做处理





TYPEC1_SSRX1P/DP1_TX0P	C187	100nF/10V	DP1_TX0P
TYPEC1_SSRX1N/DP1_TX0N	C186	100nF/10V	DP1_TX0N
TYPEC1_SSTX1P/DP1_TX1P	C188	100nF/10V	DP1_TX1P
TYPEC1_SSTX1N/DP1_TX1N	C189	100nF/10V	DP1_TX1N
DP1_TX2P	C183	100nF/10V	DP1_TX2P1
DP1_TX2N	C182	100nF/10V	DP1_TX2N1
DP1_TX3P	C184	100nF/10V	DP1_TX3P1
DP1_TX3N	C185	100nF/10V	DP1_TX3N1



Title	<Title>	
Size	Document Number	Rev
C	<Doc>	<Rev Code>
Date:	Friday, April 24, 2026	Sheet 1 of 1