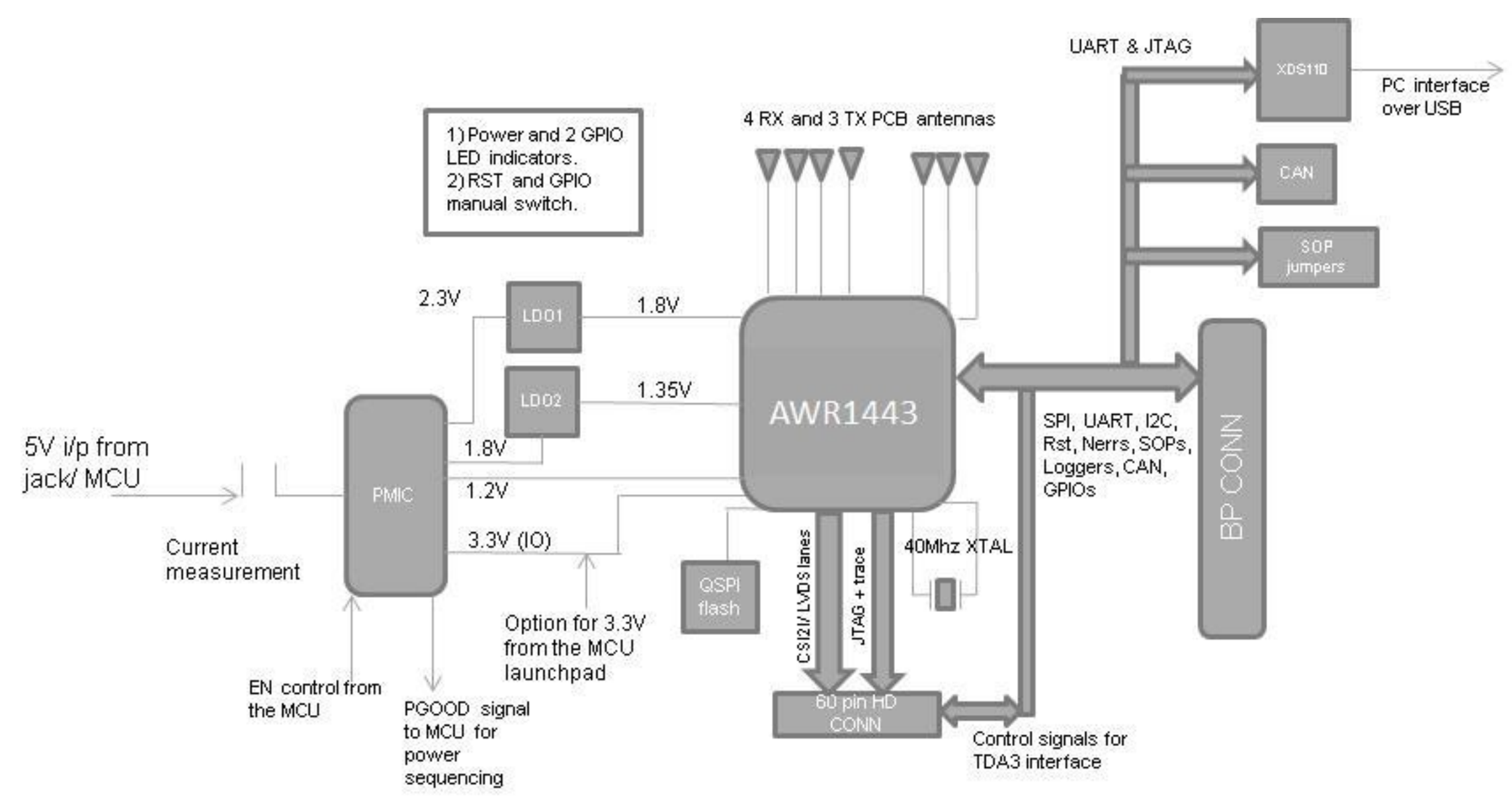
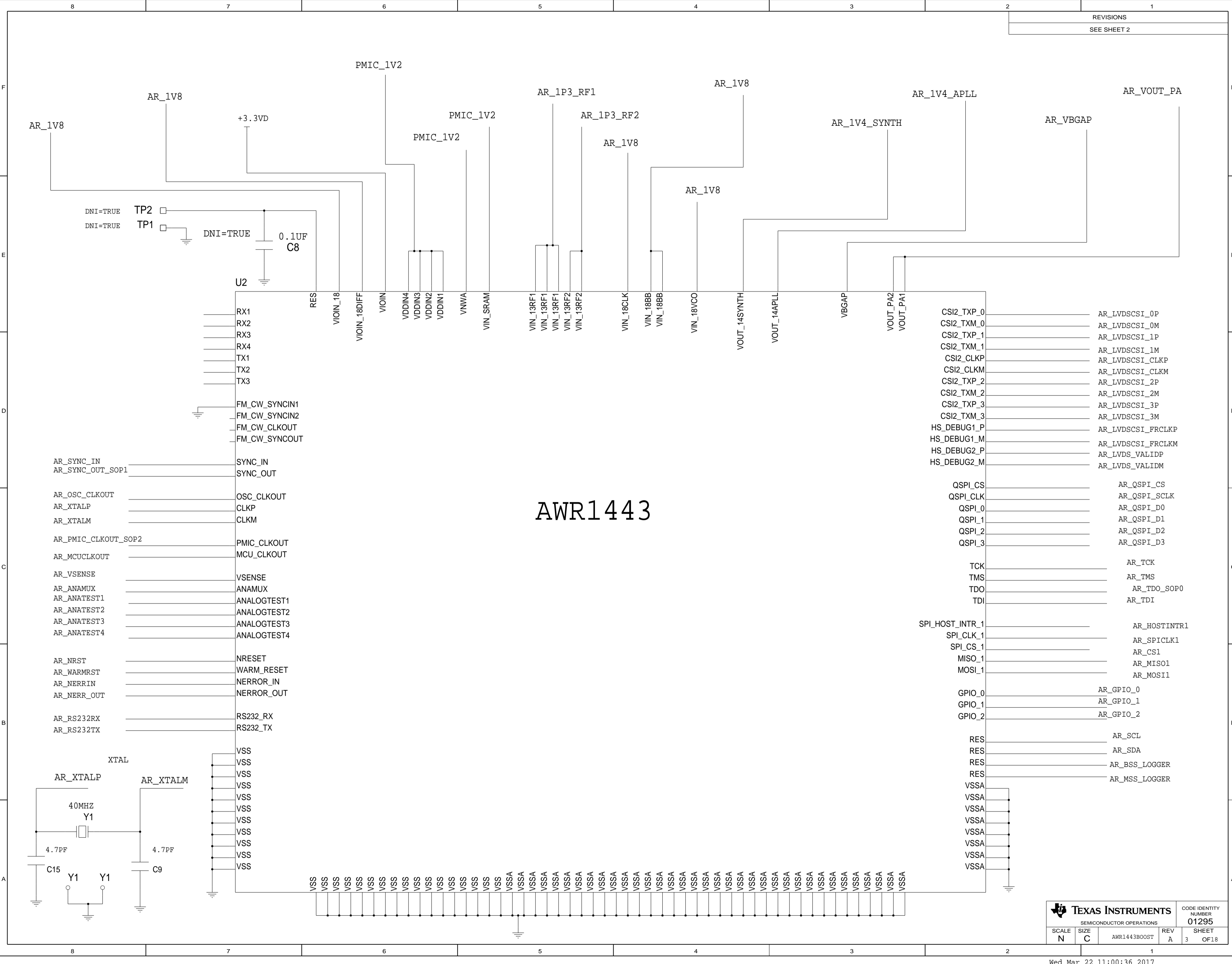


REVISIONS
SEE SHEET 2



TEXAS INSTRUMENTS SEMICONDUCTOR OPERATIONS 09/5/2016		CODE IDENTITY NUMBER 01295
		SIZE B
Block diagram		SHEET 2 OF 18

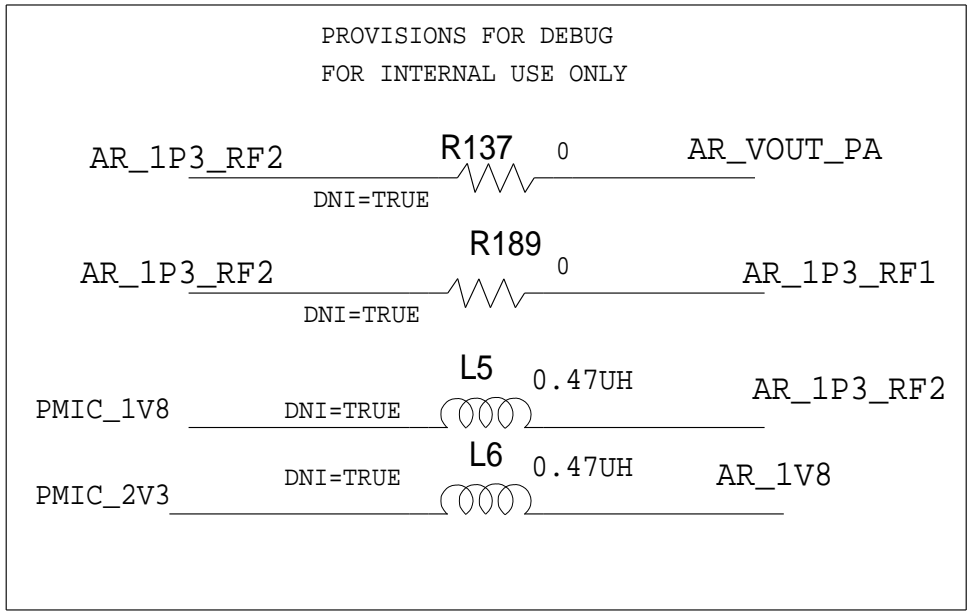
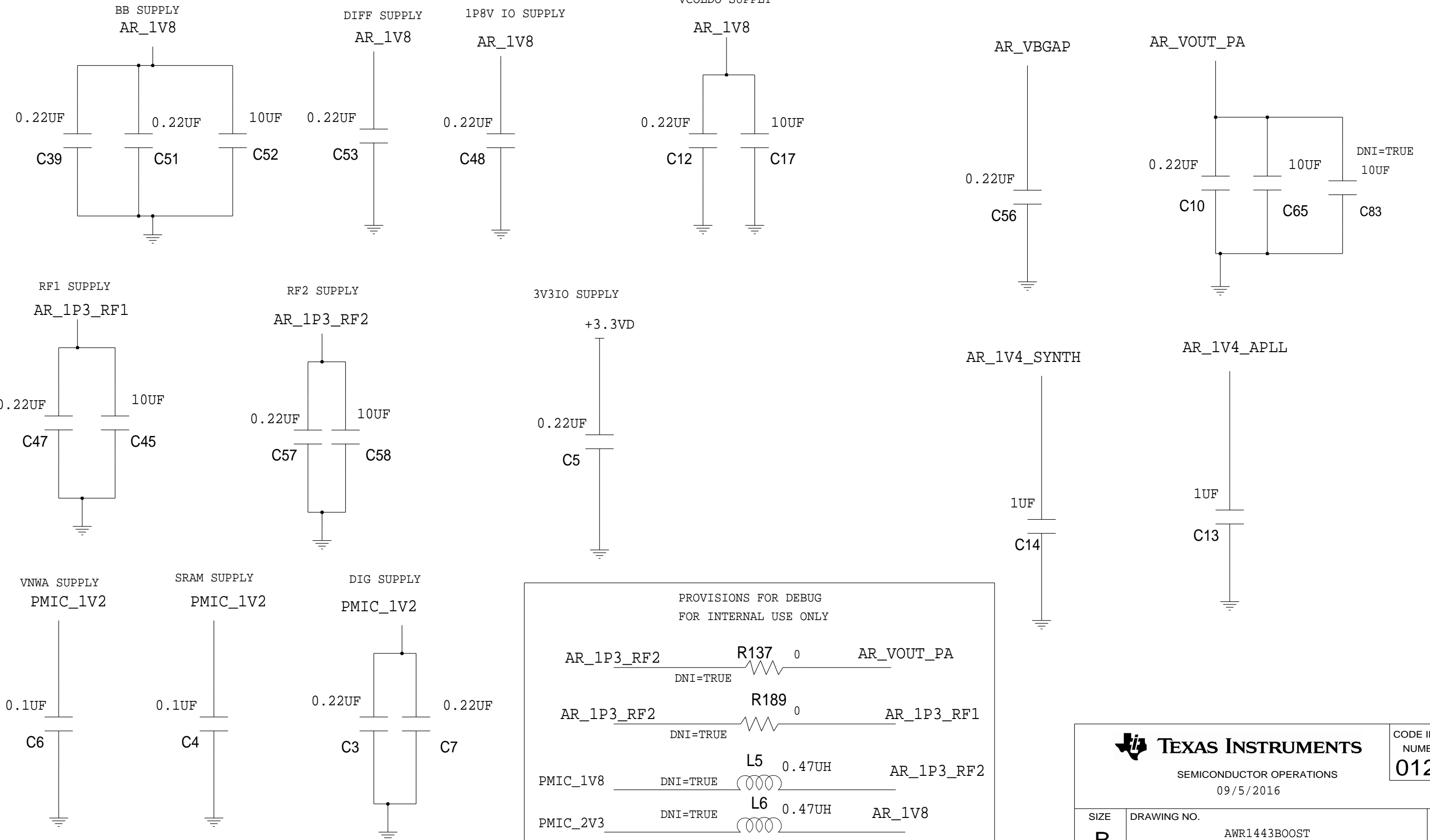
AWR1443



		SEMICONDUCTOR OPERATIONS		CODE IDENTITY NUMBER
SCALE N		SIZE C	AWR1443BOOST	01295
		REV A	SHEET 3	OF 18

SUPPLY_DECOUPLING_CAPS

REVISIONS
SEE SHEET 2



TEXAS INSTRUMENTS SEMICONDUCTOR OPERATIONS 09/5/2016		CODE IDENTITY NUMBER 01295
		REV A
SIZE B	DRAWING NO. AWR1443BOOST	SHEET 4 OF 18

8

7

6

5

4

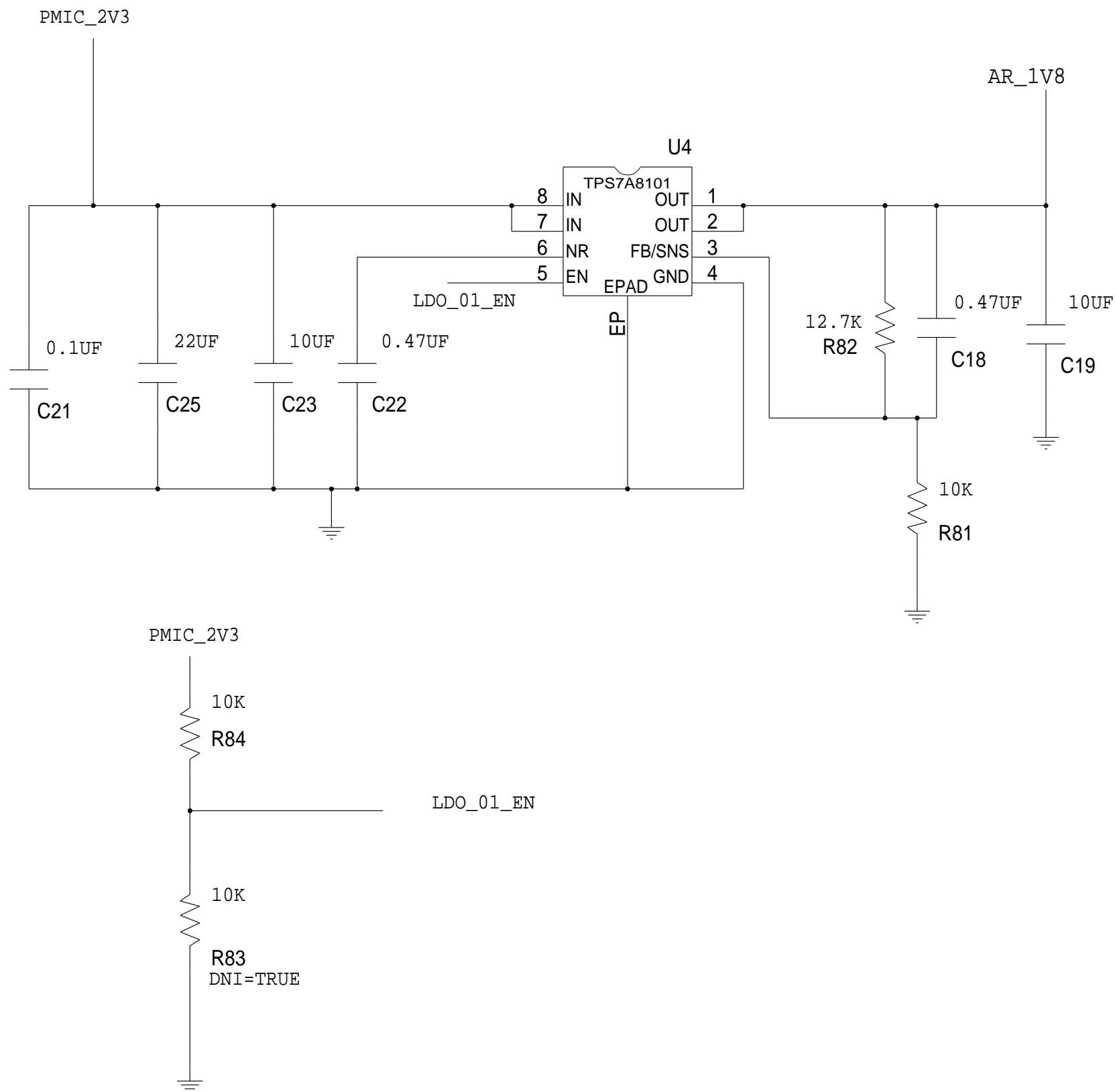
3


2

1

LDO_01 (1.8V OUTPUT)

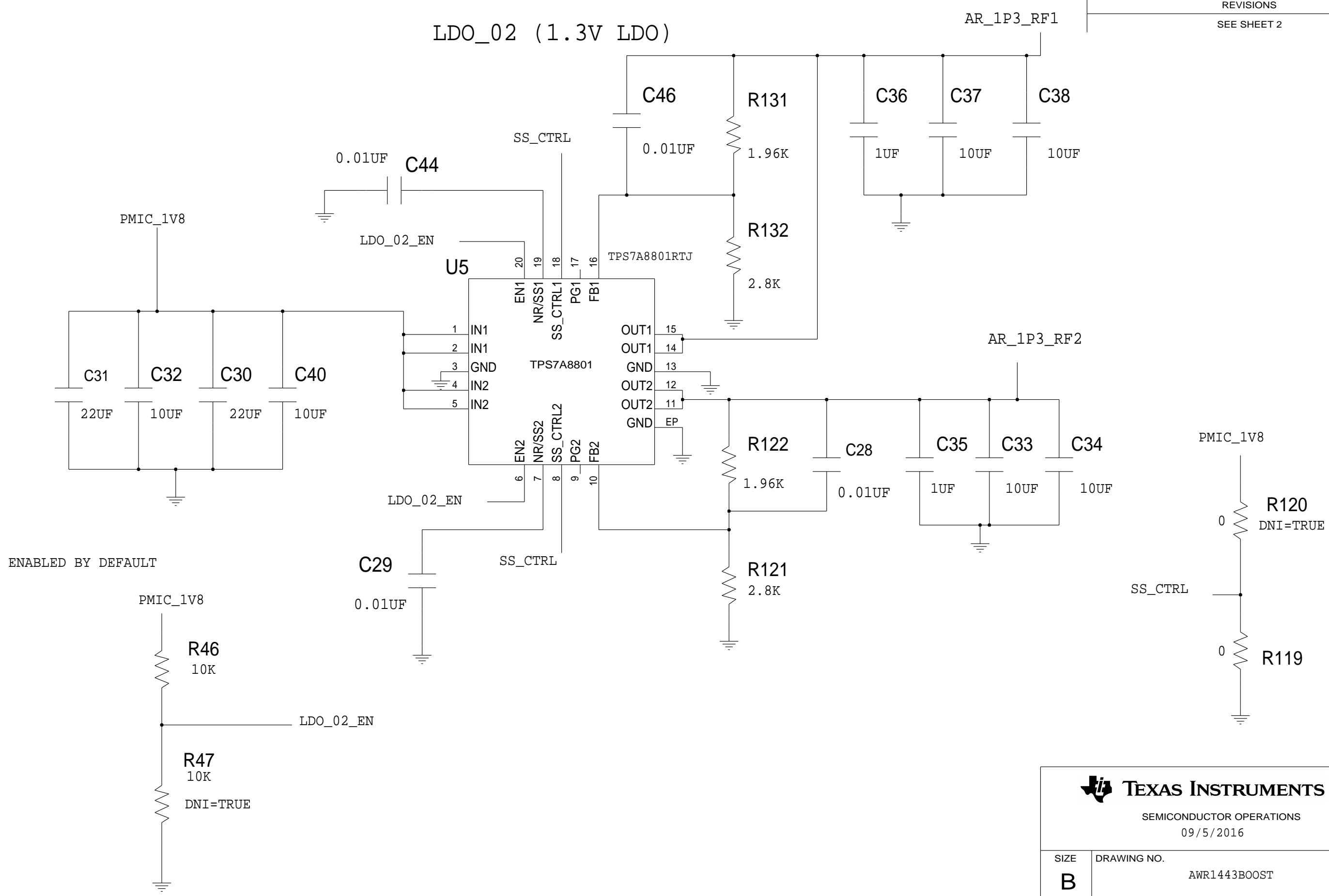
REVISIONS
SEE SHEET 2



 TEXAS INSTRUMENTS SEMICONDUCTOR OPERATIONS 09/5/2016		CODE IDENTITY NUMBER 01295
		SIZE B
LDO_01 (1.8V Output)		SHEET 5 OF 18

LDO_02 (1.3V LDO)

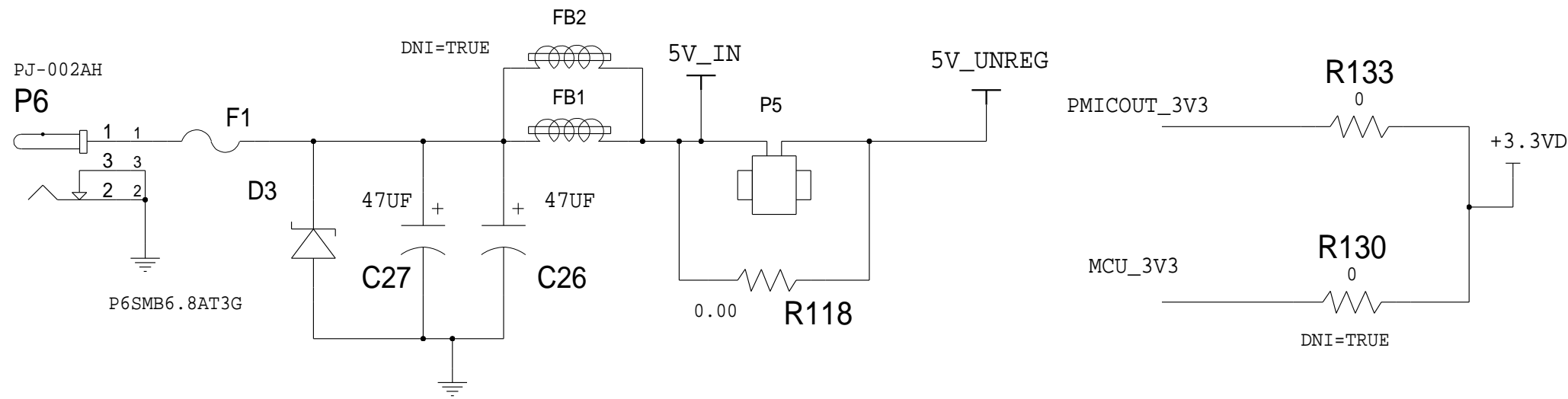
REVISIONS
SEE SHEET 2



TEXAS INSTRUMENTS SEMICONDUCTOR OPERATIONS 09/5/2016		CODE IDENTITY NUMBER 01295
		SIZE: B DRAWING NO.: AWR1443BOOST REV: A
LDO_02 (1.3V Output)		SHEET 6 OF 18

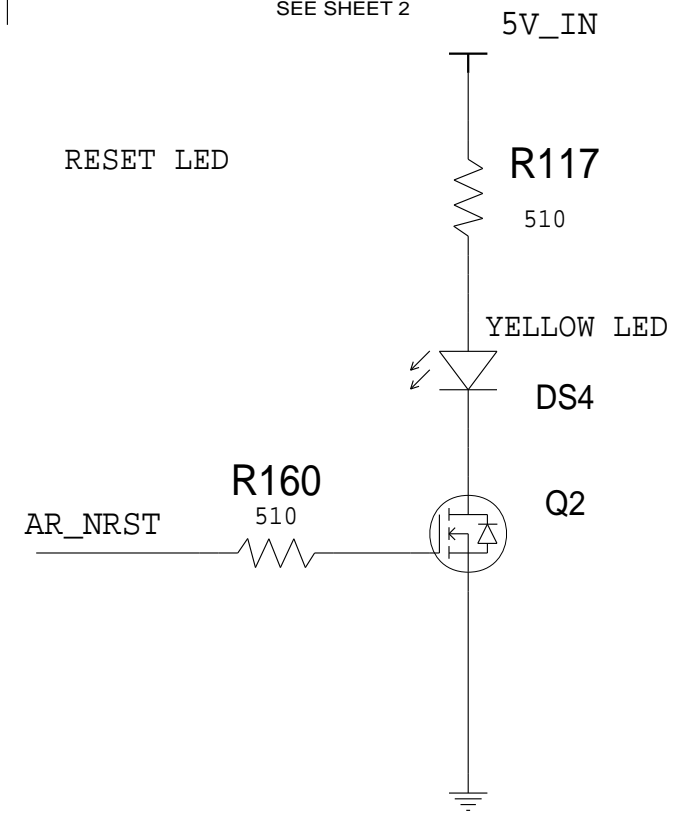
POWER SUPPLY CONNECTOR

3P3 SUPPLY FROM PMIC OR FROM THE MCU



REVISIONS

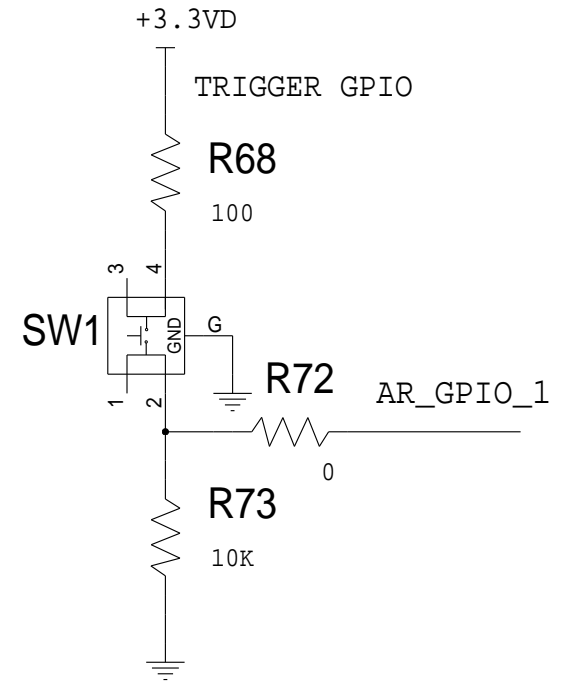
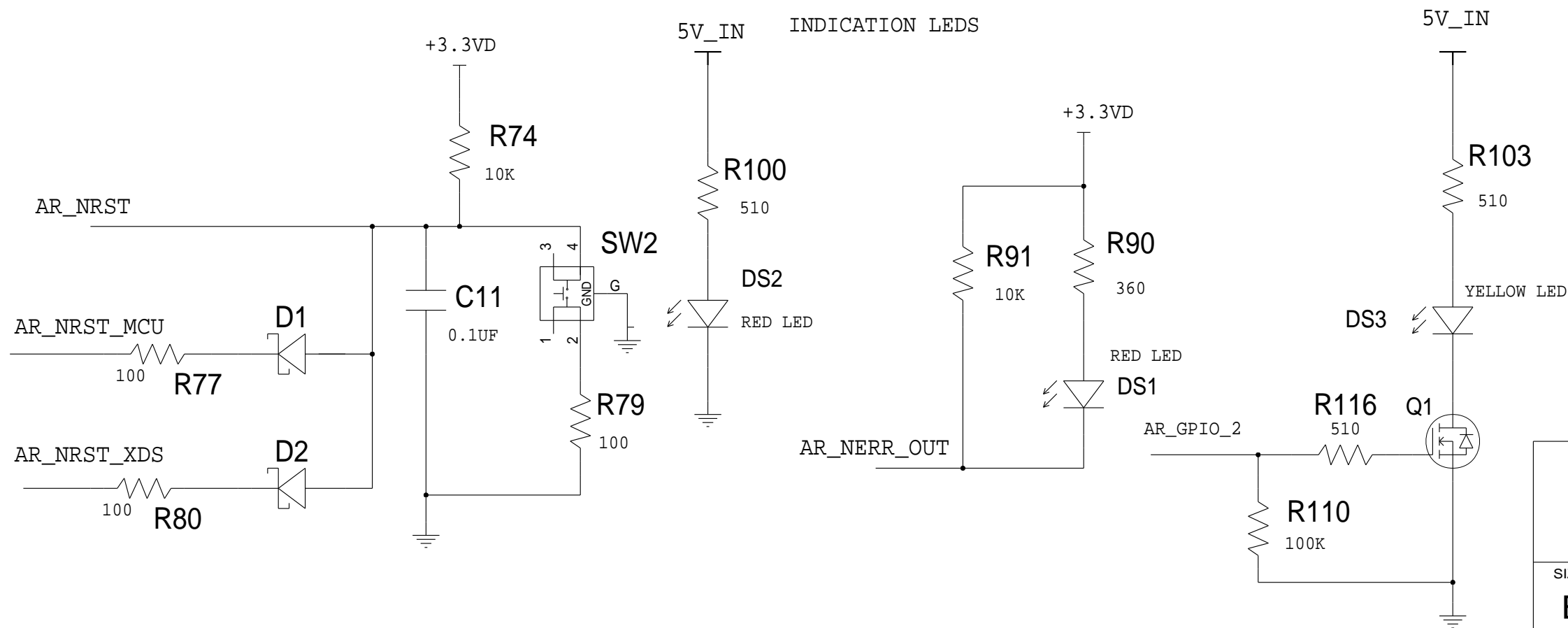
SEE SHEET 2



RESET AND LEDS

SW FOR MANUAL RESET

INDICATION LEDS



TEXAS INSTRUMENTS

SEMICONDUCTOR OPERATIONS
09/5/2016

CODE IDENTITY NUMBER
01295

SIZE B	DRAWING NO. AWR1443BOOST	REV A
------------------	-----------------------------	----------

Pwr_RST_LEDs

SHEET 7 OF 18

8

7

6

5

4

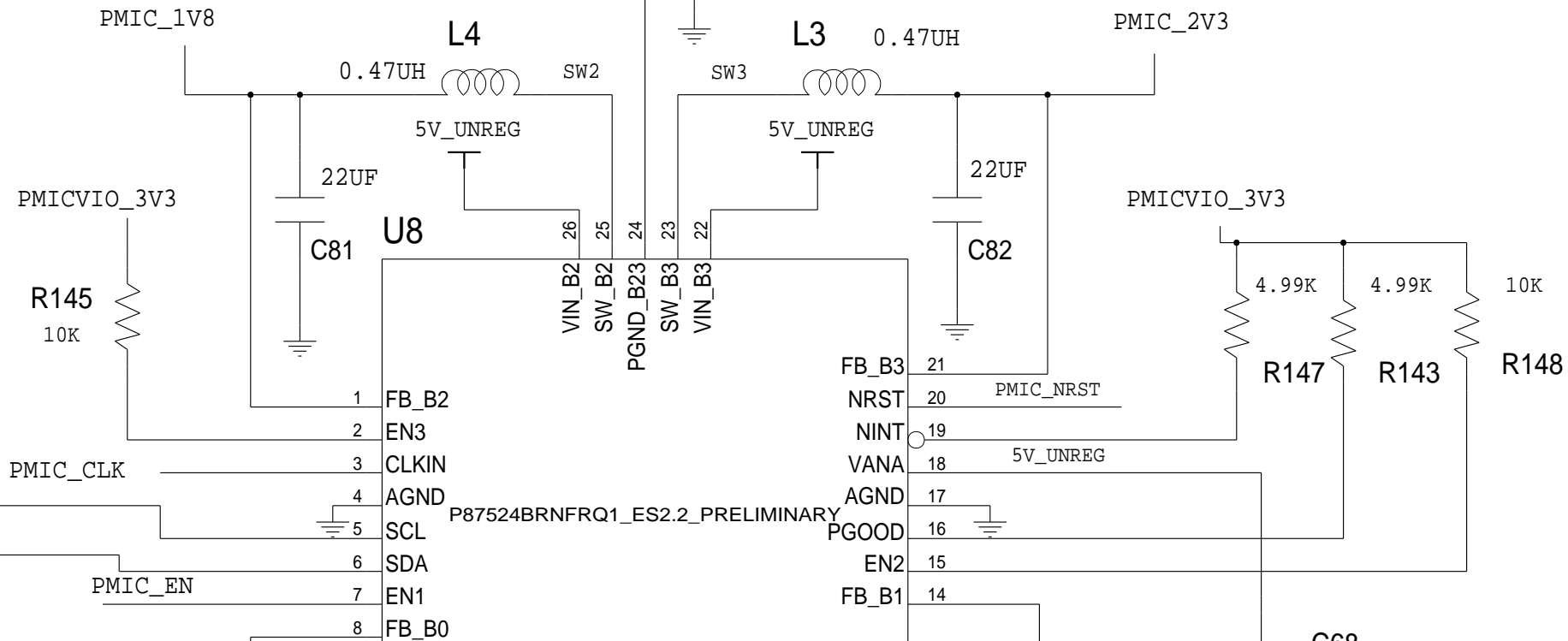
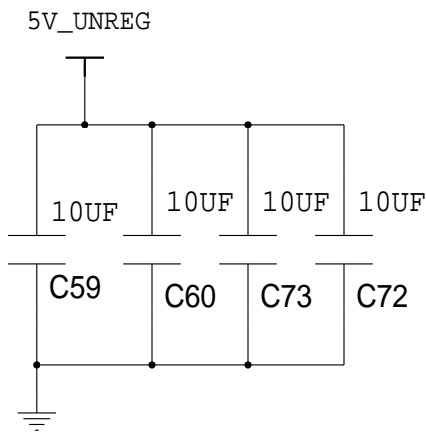
3

2

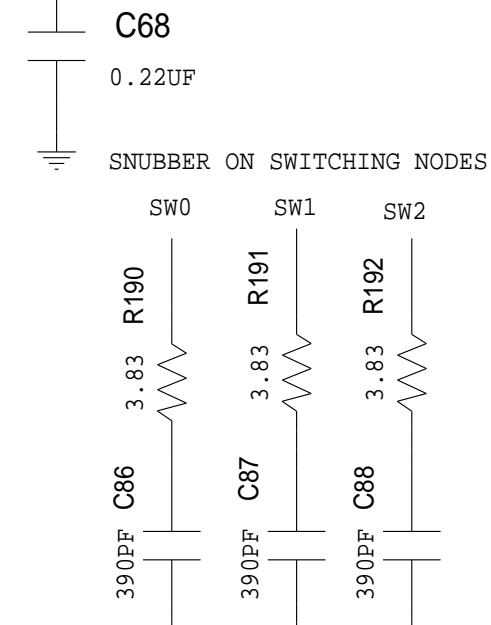
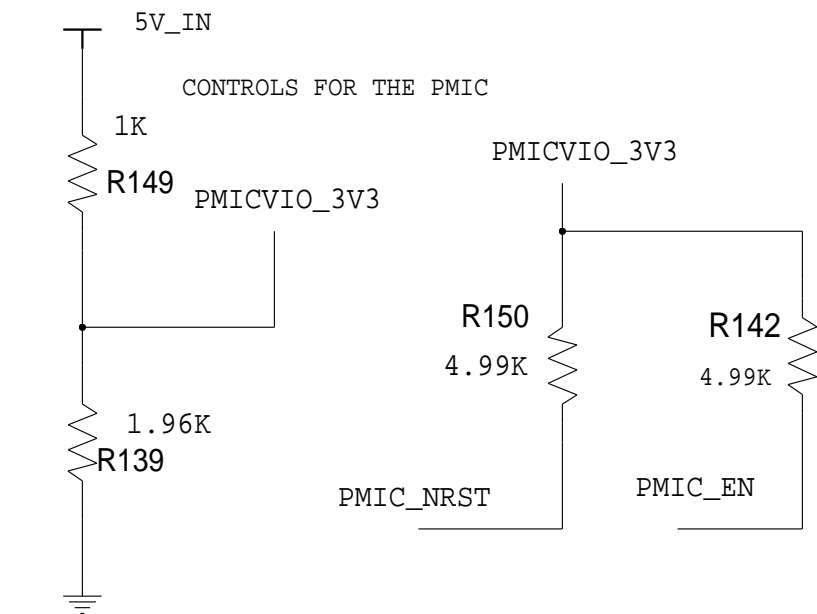
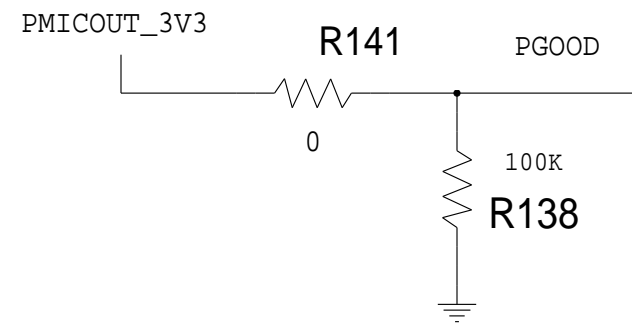
1

REVISIONS
SEE SHEET 2

PMIC (3.3V, 1.2V, 1.8V, 2.3V OUTPUTS)



THE 3V3 OUTPUT FROM PMIC IS USED AS PGOOD.



TEXAS INSTRUMENTS SEMICONDUCTOR OPERATIONS 09/5/2016		CODE IDENTITY NUMBER 01295
		SIZE B
DRAWING NO. AWR1443BOOST		REV A
PMIC		SHEET 8 OF 18

8

7

6

5

4

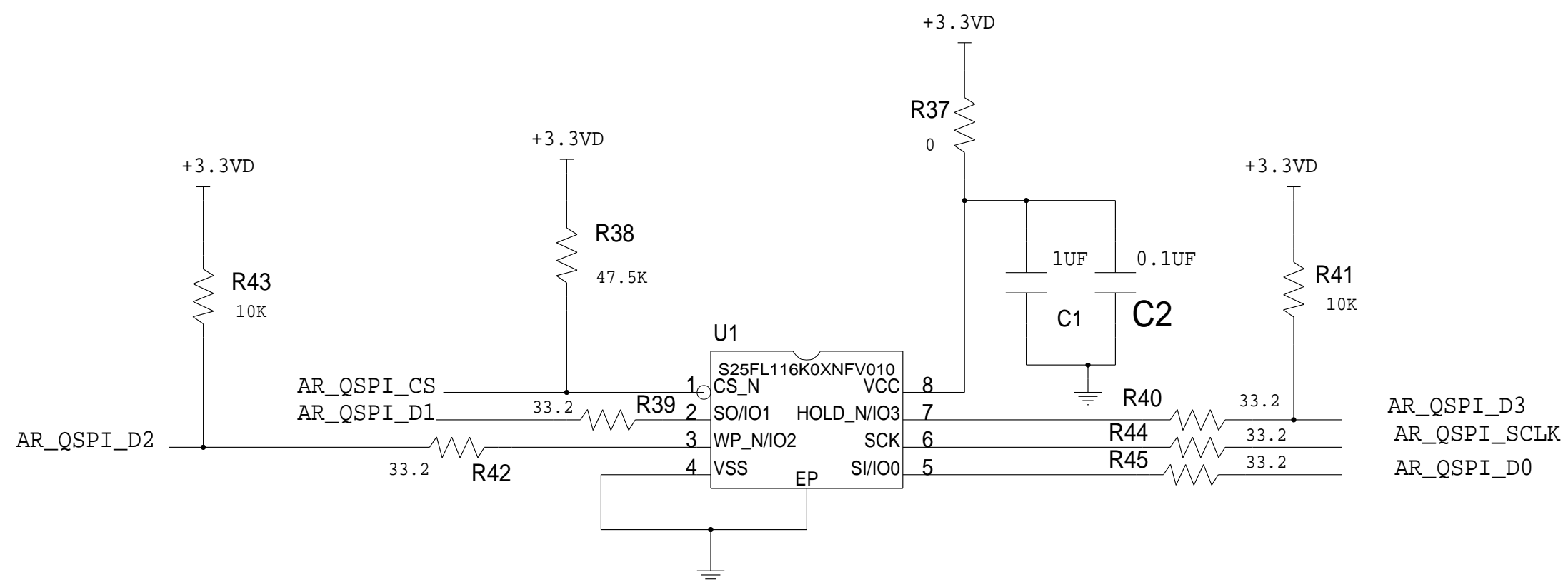
3

2

1

REVISIONS
SEE SHEET 2

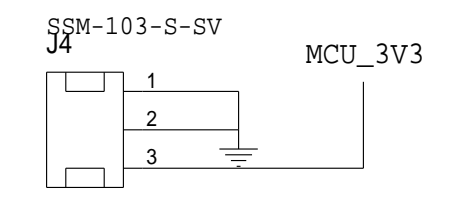
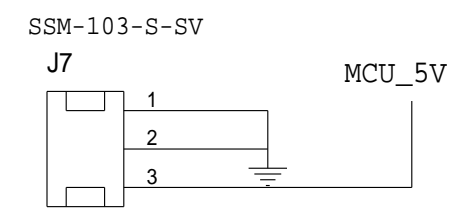
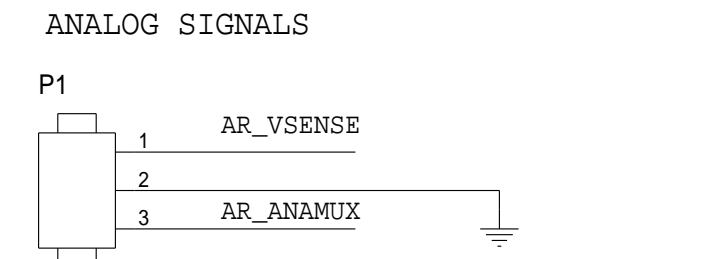
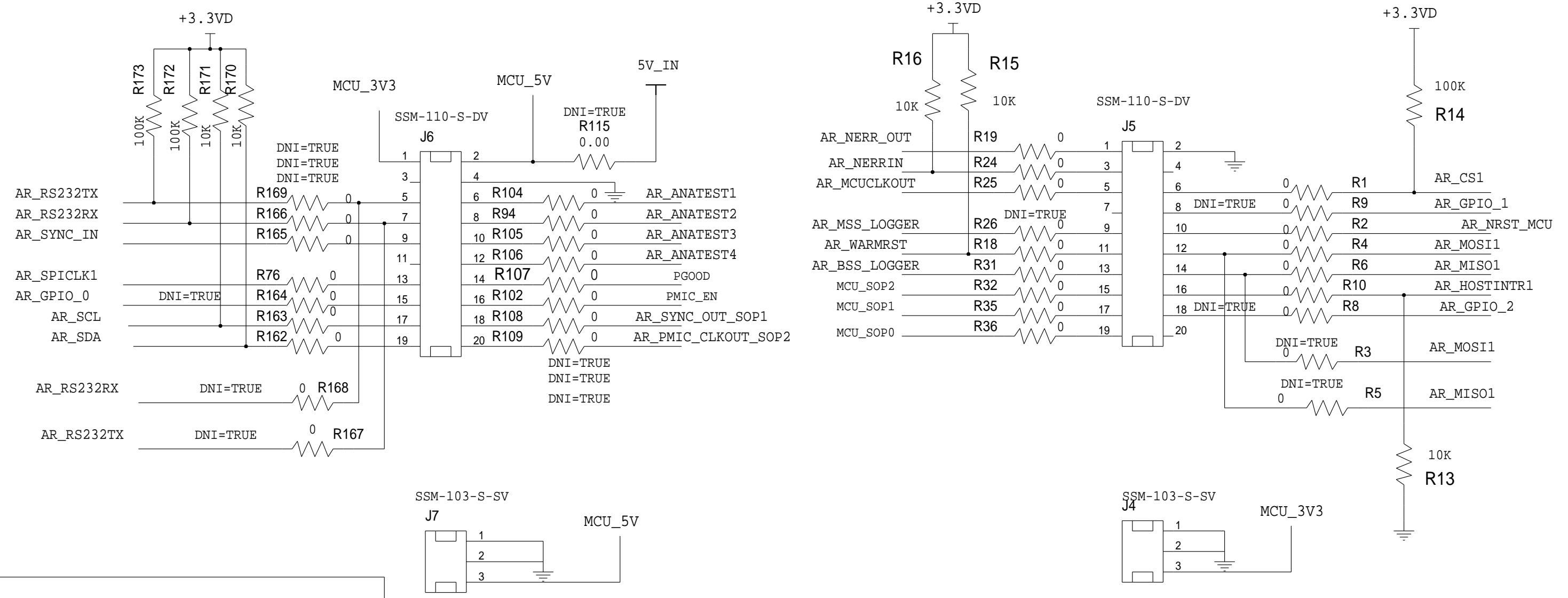
QSPI FLASH



TEXAS INSTRUMENTS SEMICONDUCTOR OPERATIONS 09/5/2016		CODE IDENTITY NUMBER 01295
		REV A
SIZE B	DRAWING NO. AWR1443BOOST	SHEET 9 OF 18
Flash Section		

REVISIONS
SEE SHEET 2

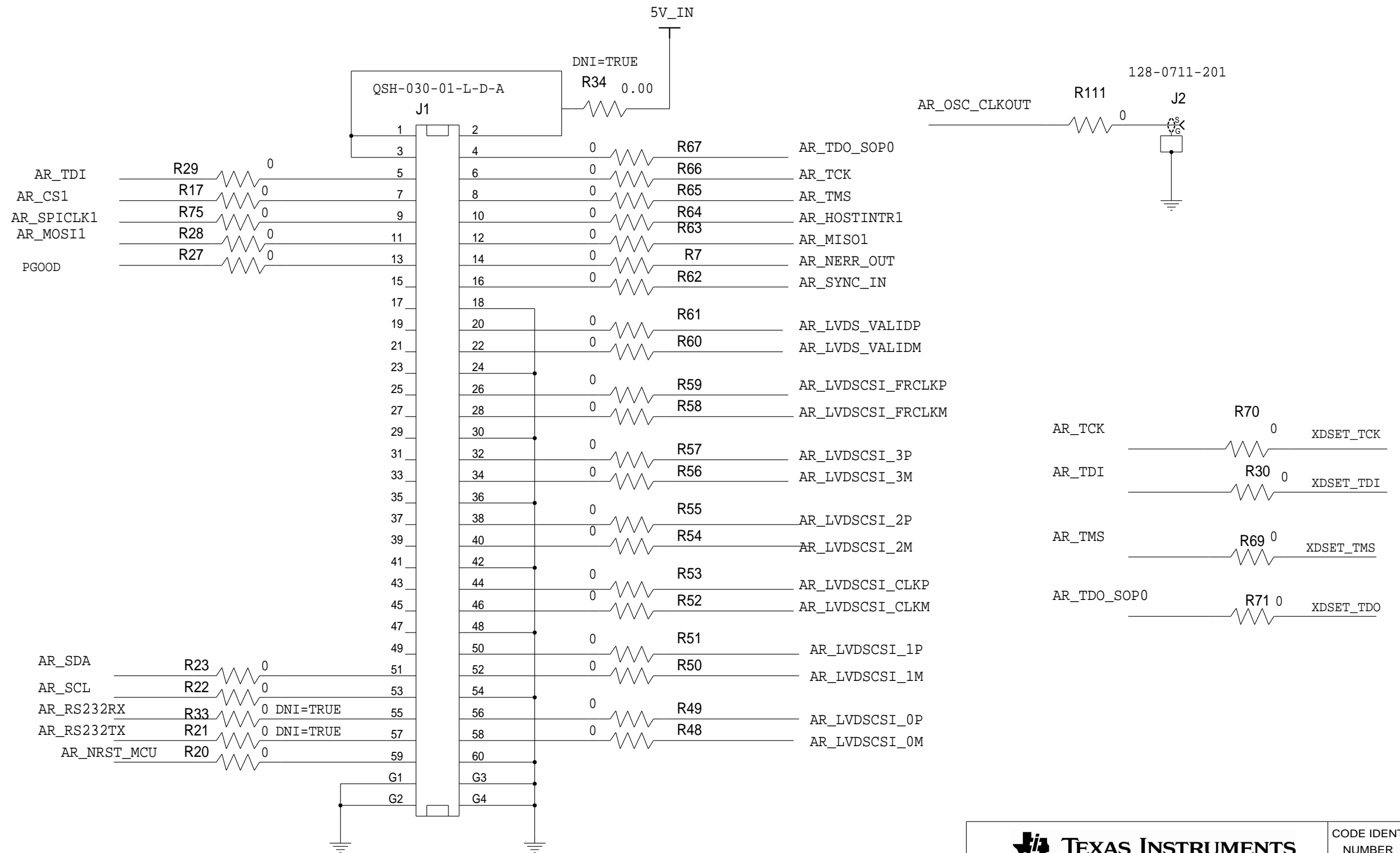
BP/LP CONNECTOR



TEXAS INSTRUMENTS SEMICONDUCTOR OPERATIONS 09/5/2016		CODE IDENTITY NUMBER 01295
		SIZE B
LP Connector		SHEET 10 OF 18

HD CONNECTOR FOR LVDS/CSI AND JTAG

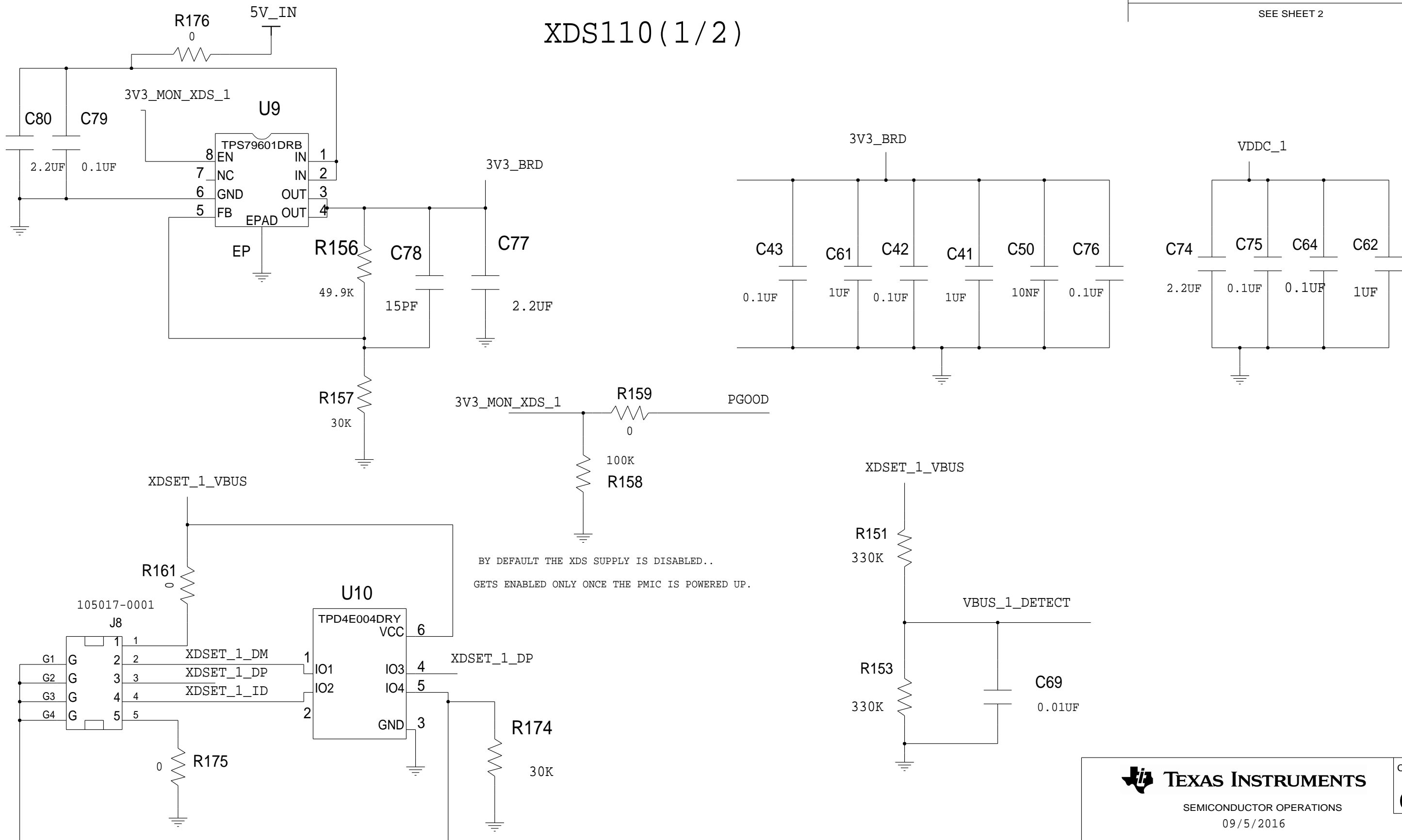
REVISIONS
SEE SHEET 2



TEXAS INSTRUMENTS		CODE IDENTITY NUMBER 01295
SEMICONDUCTOR OPERATIONS 09/5/2016		
SIZE	DRAWING NO.	REV
B	AWR1443BOOST	A
HD Connector		SHEET 11 OF 18

XDS110(1/2)

REVISIONS
SEE SHEET 2

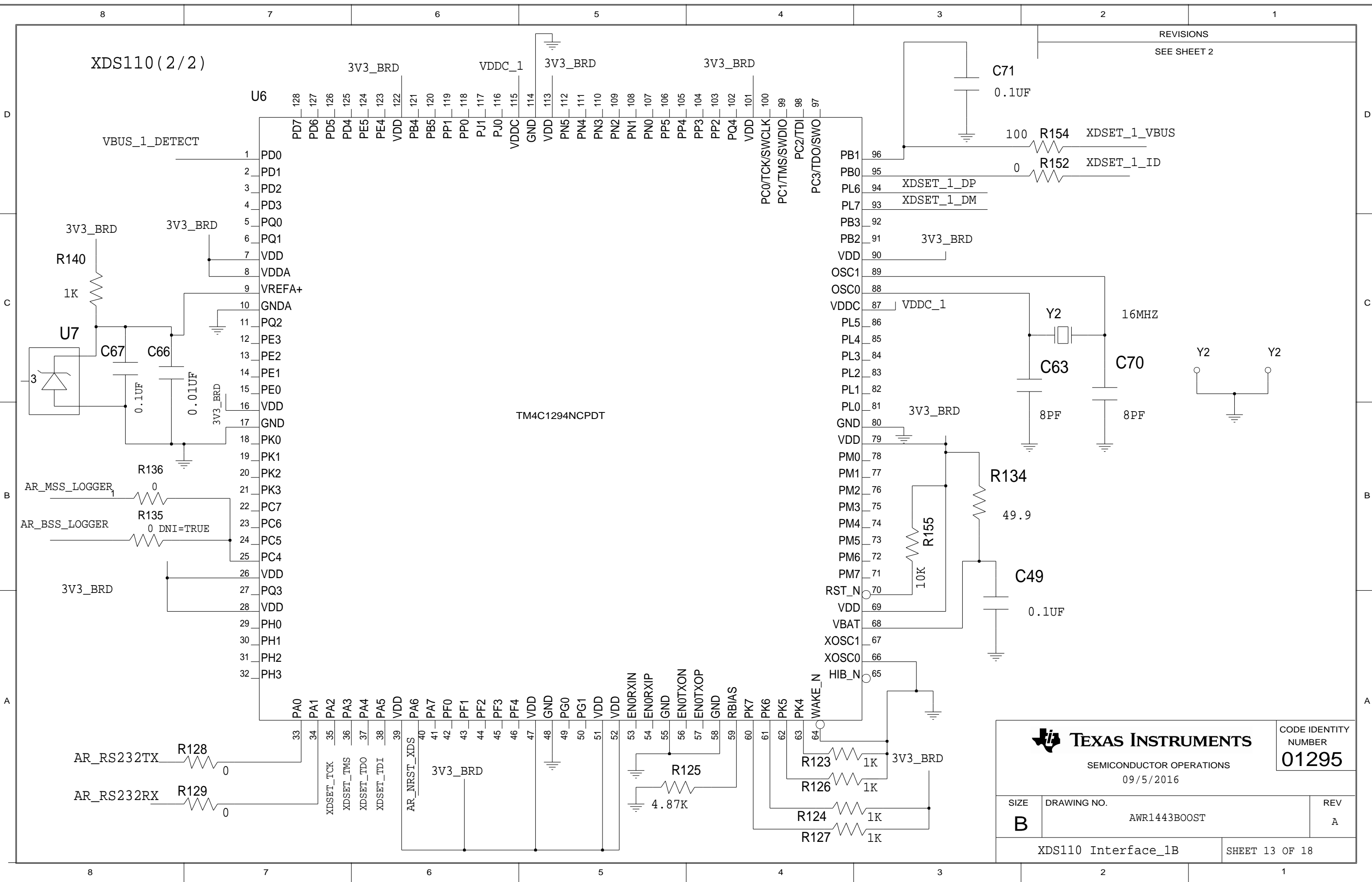


BY DEFAULT THE XDS SUPPLY IS DISABLED..
GETS ENABLED ONLY ONCE THE PMIC IS POWERED UP.

TEXAS INSTRUMENTS SEMICONDUCTOR OPERATIONS 09/5/2016		CODE IDENTITY NUMBER 01295
		SIZE B
DRAWING NO. AWR1443BOOST		REV A
XDS110 Interface_1A		SHEET 12 OF 18

XDS110 (2/2)

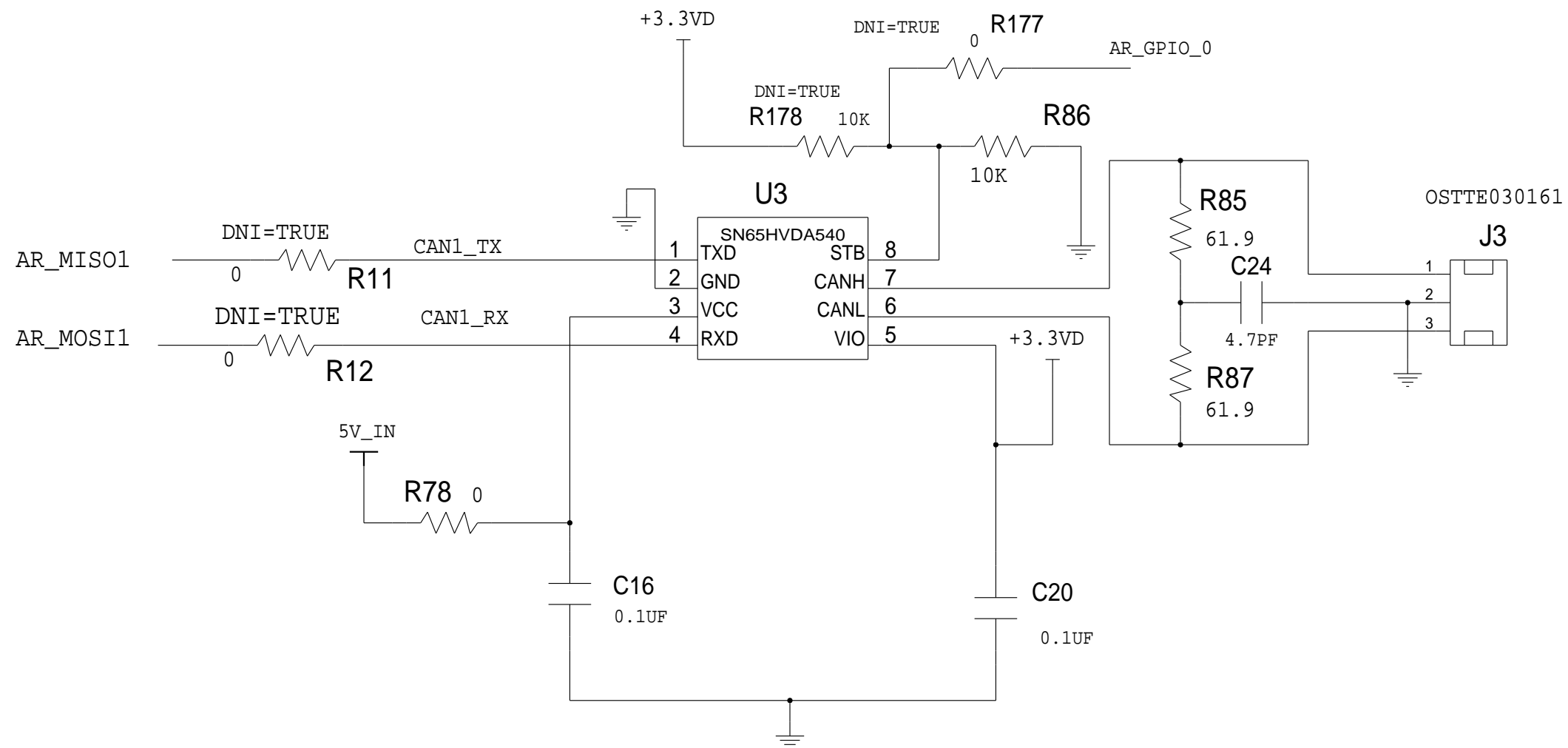
REVISIONS
SEE SHEET 2



TEXAS INSTRUMENTS SEMICONDUCTOR OPERATIONS 09/5/2016		CODE IDENTITY NUMBER 01295
		REV A
SIZE B	DRAWING NO. AWR1443BOOST	SHEET 13 OF 18

REVISIONS
SEE SHEET 2

CAN INTERFACE



TEXAS INSTRUMENTS
 SEMICONDUCTOR OPERATIONS
 09/5/2016

CODE IDENTITY NUMBER
01295

SIZE B	DRAWING NO. AWR1443BOOST	REV A
------------------	-----------------------------	----------

CAN Interface SHEET 14 OF 18

8

7

6

5

4

3

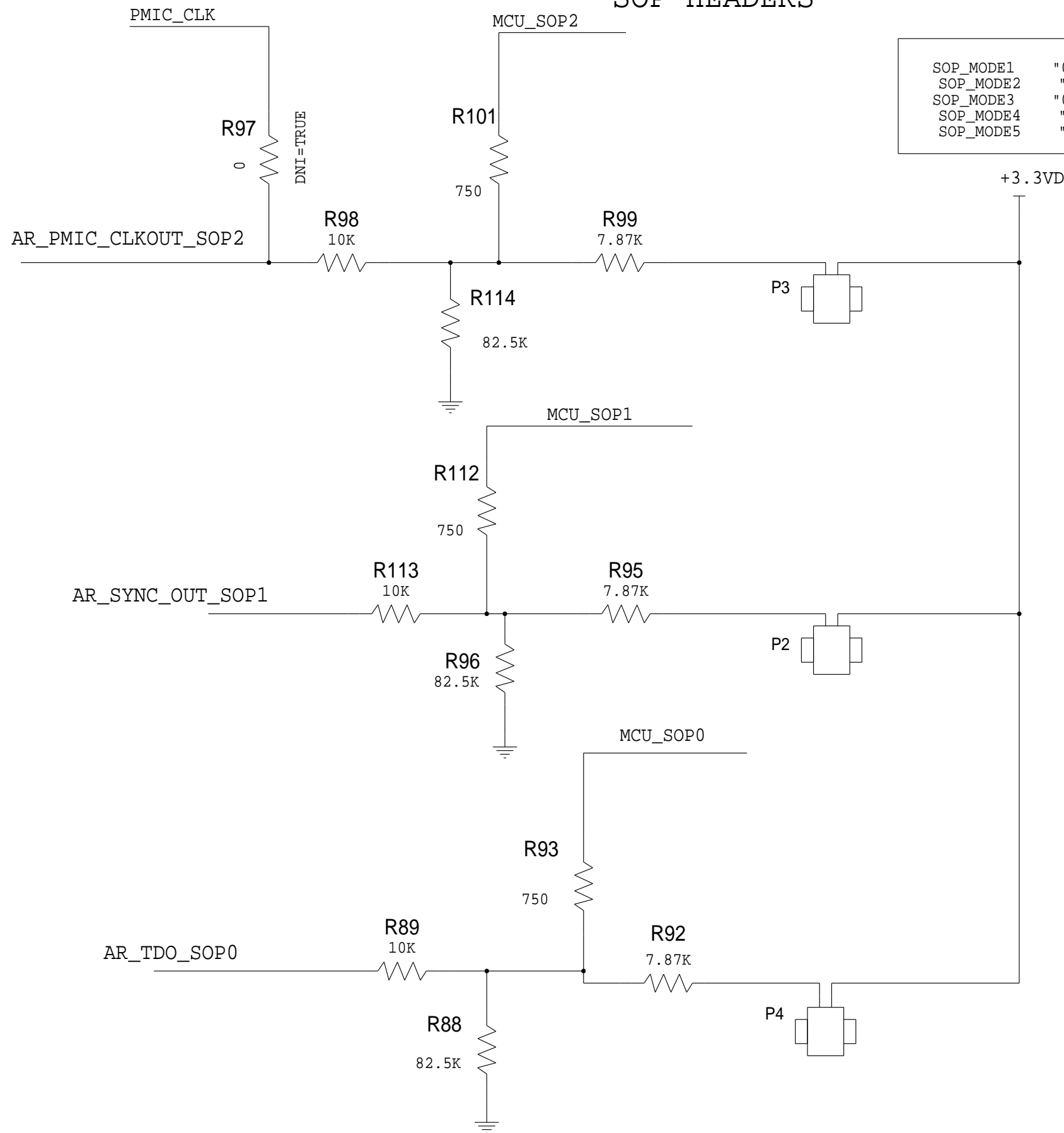
2

1

SOP HEADERS

REVISIONS
SEE SHEET 2

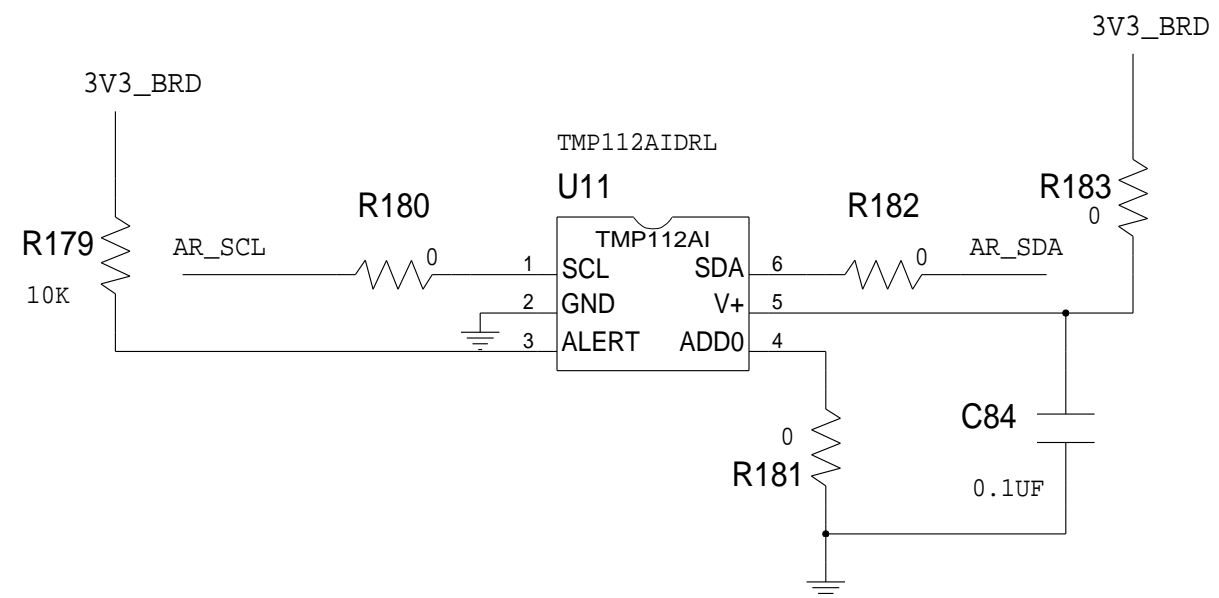
SOP_MODE1	"010"	SCAN/ATPG
SOP_MODE2	"011"	DEV/FLED/ORBIT
SOP_MODE3	"000"	THB
SOP_MODE4	"001"	FUNC - > DEFAULT VALUE FOR OUTPUTS
SOP_MODE5	"101"	DEV MANAGEMENT -> FOR FLASHING



TEXAS INSTRUMENTS SEMICONDUCTOR OPERATIONS 09/5/2016		CODE IDENTITY NUMBER 01295
		SIZE B
DRAWING NO. AWR1443BOOST		REV A
SOP selection		SHEET 15 OF 18

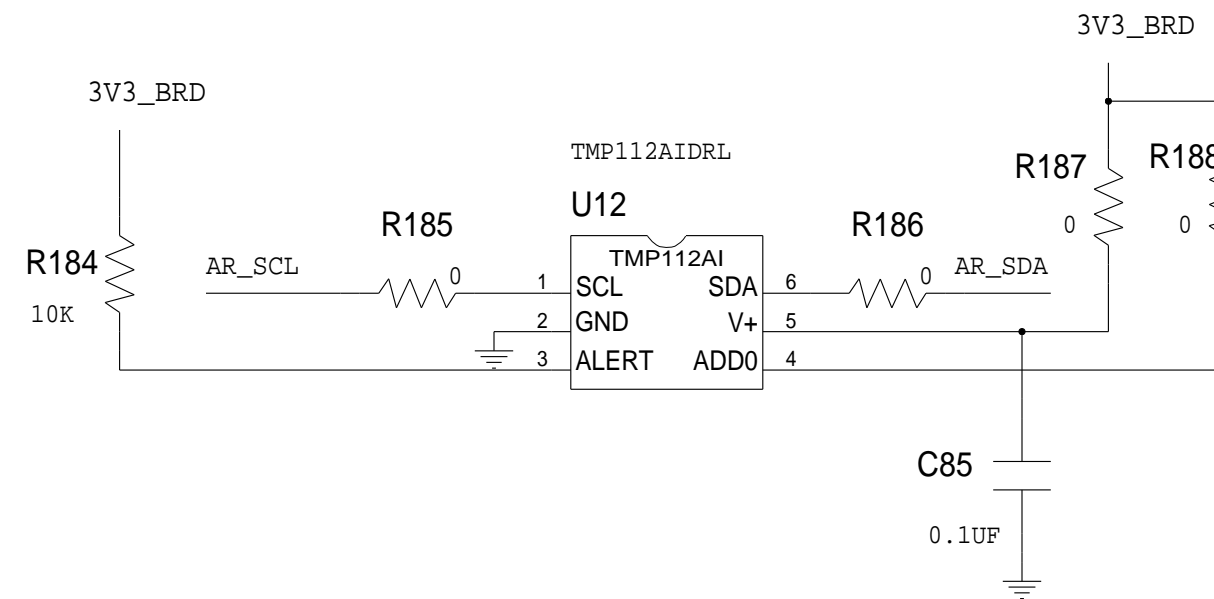
REVISIONS
SEE SHEET 2

ONBOARD TEMP SENSORS



TEMP SENSOR CLOSE TO PMIC

DEFAULT I2C ADDRESS : 0X48



TEMP SENSOR AWAY FROM PMIC
AND MMWAVE DEVICE

DEFAULT I2C ADDRESS : 0X49

ti **TEXAS INSTRUMENTS**
 SEMICONDUCTOR OPERATIONS
 09/5/2016

CODE IDENTITY
 NUMBER
01295

SIZE B	DRAWING NO. AWR1443BOOST	REV A
Temsensor		SHEET 16 OF 18

8

7

6

5

4

3

2

1

REVISIONS
SEE SHEET 2

REVISION HISTORY

CHANGES IN REV A

- 1) ADDED ZENER DIODE ON 5V INPUT TO PROTECT FROM HIGH VOLTAGES.
- 2) ADDED ONBOARD TEMPERATURE SENSORS.
- 3) ADDED FERRITE BEAD ON 5V SUPPLY.
- 4) CHANGED THE PMIC PART TO PG2.2 VERSION
- 5) ADDED DUMMY ANTENNAS FOR RX
- 6) ADDED PM DUBUG PROVISION FOR LDO BYPASS



TEXAS INSTRUMENTS

SEMICONDUCTOR OPERATIONS
09/5/2016

CODE IDENTITY
NUMBER
01295

SIZE
B

DRAWING NO.
AWR1443BOOST

REV
A

Revision_History

SHEET 17 OF 18

8

7

6

5

4

3

2

1

8

7

6

5

4

3

2

1

REVISIONS

SEE SHEET 2



PCB LOGO

TEXAS INSTRUMENTS

PCB LOGO

ESD SENSITIVE

PCB LOGO

FCC DISCLAIMER

PCB LOGO

LAUNCHPAD COMPATIBLE

PCB LOGO

ROHS EXEMPT

PCB LABELS : THESE LABELS NEED TO BE PUT ON THE ASSEMBLED PCB

- 1) TOP SIDE OF THE PCB -> AWR1443BOOST
REV A
- 2) BOTTOM SIDE OF THE PCB -> AWR1443BOOST
REV A

ASSEMBLY NOTES:

ASSEMBLIES MUST BE CLEAN AND FREE FROM FLUX AND ALL CONTAMINANTS. USE OF NO CLEAN FLUX IS NOT ACCEPTABLE
 ASSEMBLIES MUST COMPLY WITH WORKMANSHIP STANDARDS IPC-A-610 CLASS 2, UNLESS OTHERWISE SPECIFIED
 COMPONENTS MARKED "DNI = TRUE" WILL NOT BE ASSEMBLED

8

7

6

5

4

3

2

1

TEXAS INSTRUMENTS SEMICONDUCTOR OPERATIONS 09/5/2016		CODE IDENTITY NUMBER 01295
SIZE B	DRAWING NO. AWR1443BOOST	REV A
Hardware		SHEET 18 OF 18