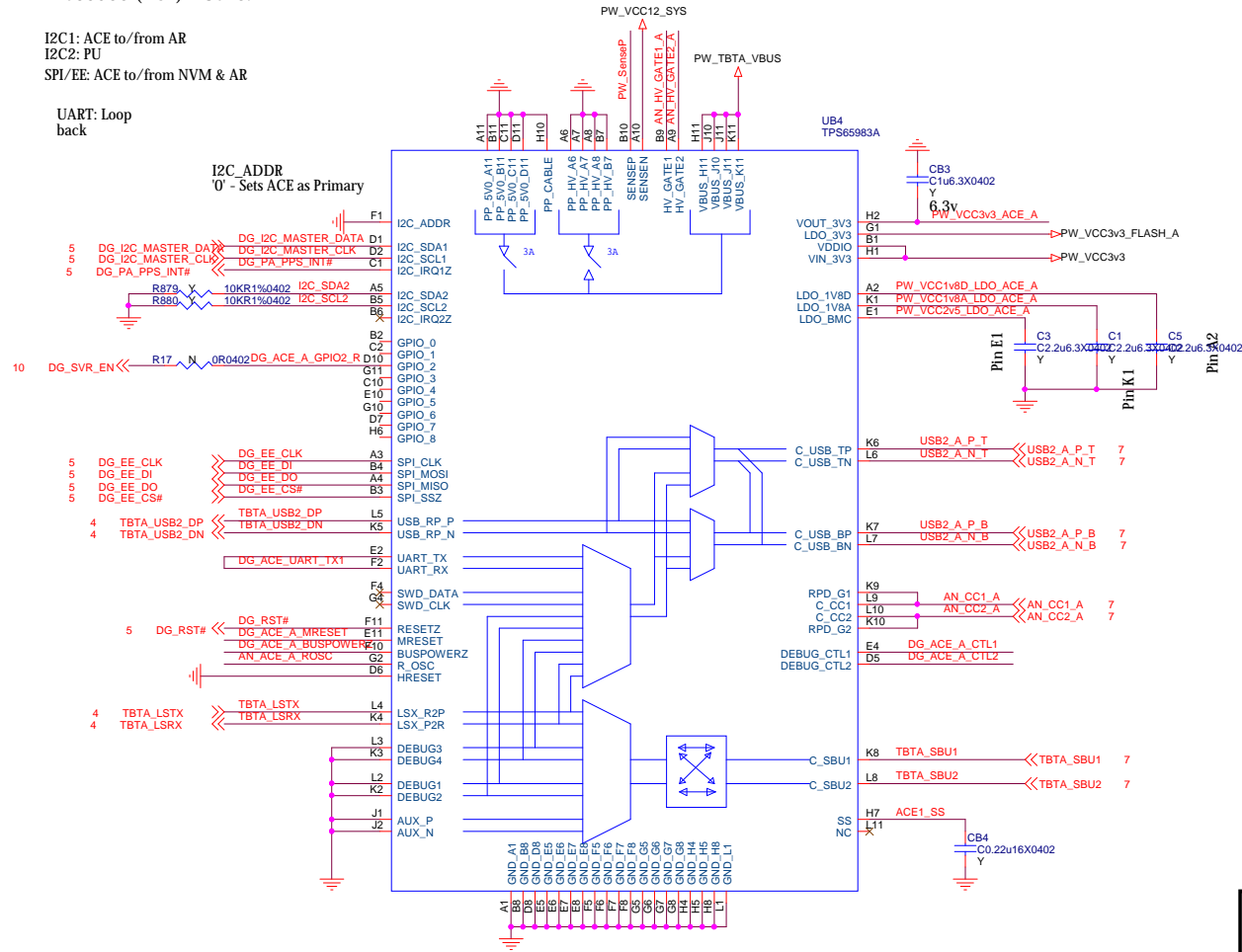


Port A Controller - ACE

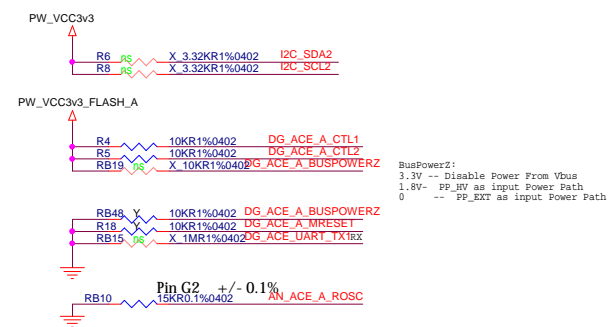
TPS65983 (ACE) - USB3.1 PD

I2C1: ACE to/from AR
I2C2: PU
SPI/EE: ACE to/from NVM & AR

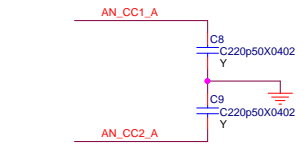
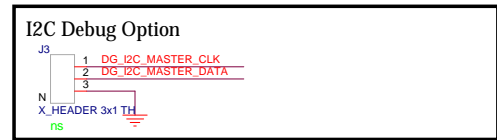
UART: Loop back



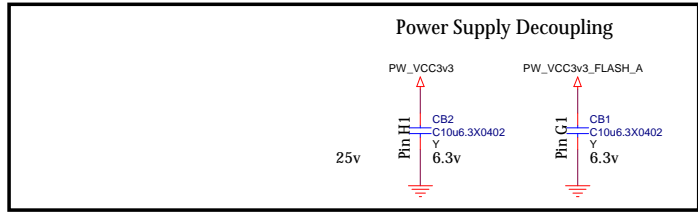
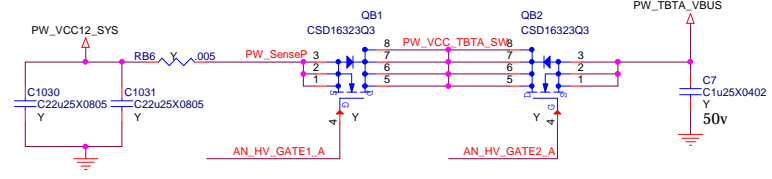
HW Pull-Up/Pull-Down



BusPowerZ:
3.3V -- Disable Power From Vbus
1.8V- PP_HV as Input Power Path
0 -- PP_EXT as Input Power Path



PP_Ext Power supply Circuit



Title	TBT Port A	
Size	Document Number	Rev
A3	AR DP AIC	10
Date:	Thursday, May 03, 2018	Sheet 9 of 1