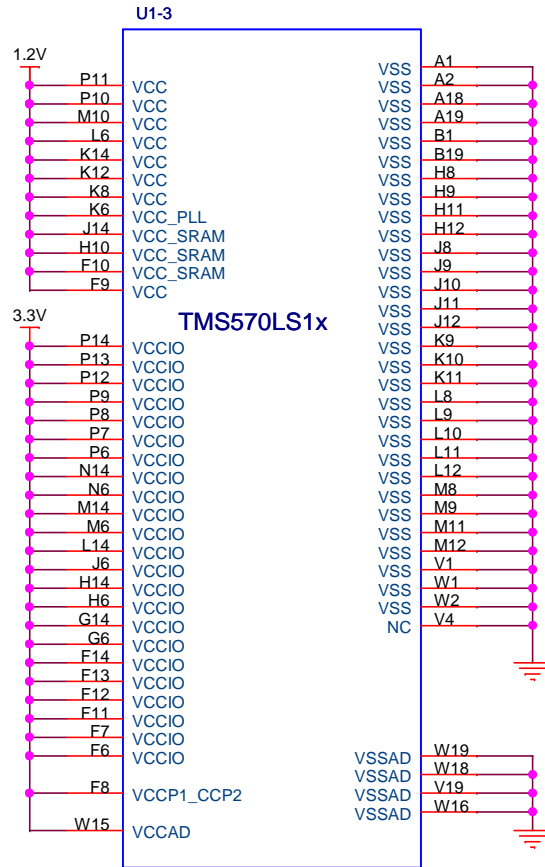
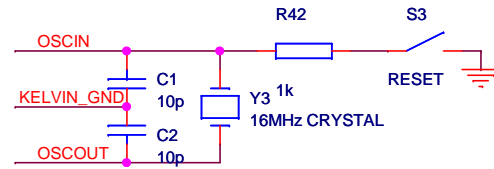
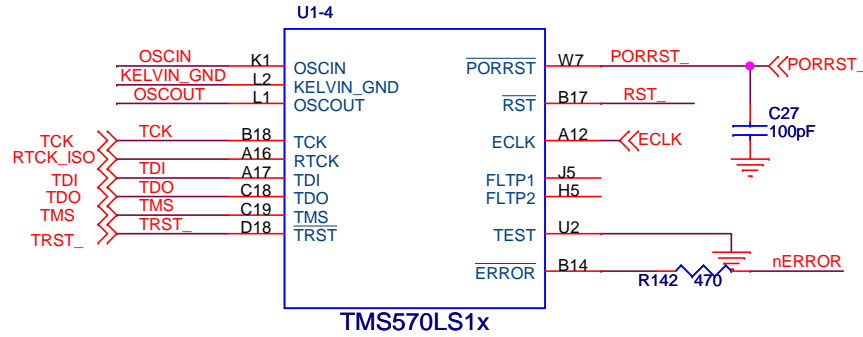


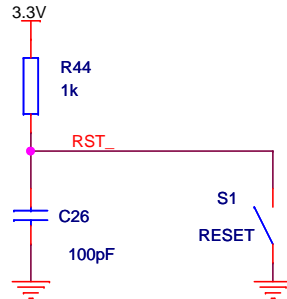
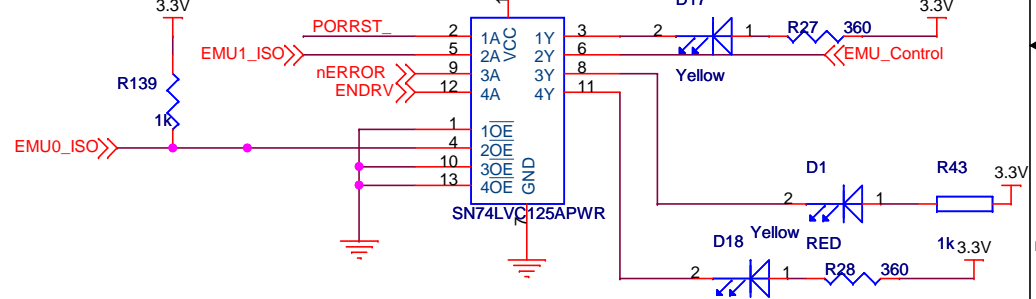
Power-Ground on MCU



MCU PINS



Digikey no: 300-8096-1-ND



TEXAS INSTRUMENTS

Title

MCU VCC/VCCIO/JTAG

Size

Document Number
TMS570LS1x Control Card

Rev

<1.0>

Date:

Wednesday, August 01, 2012

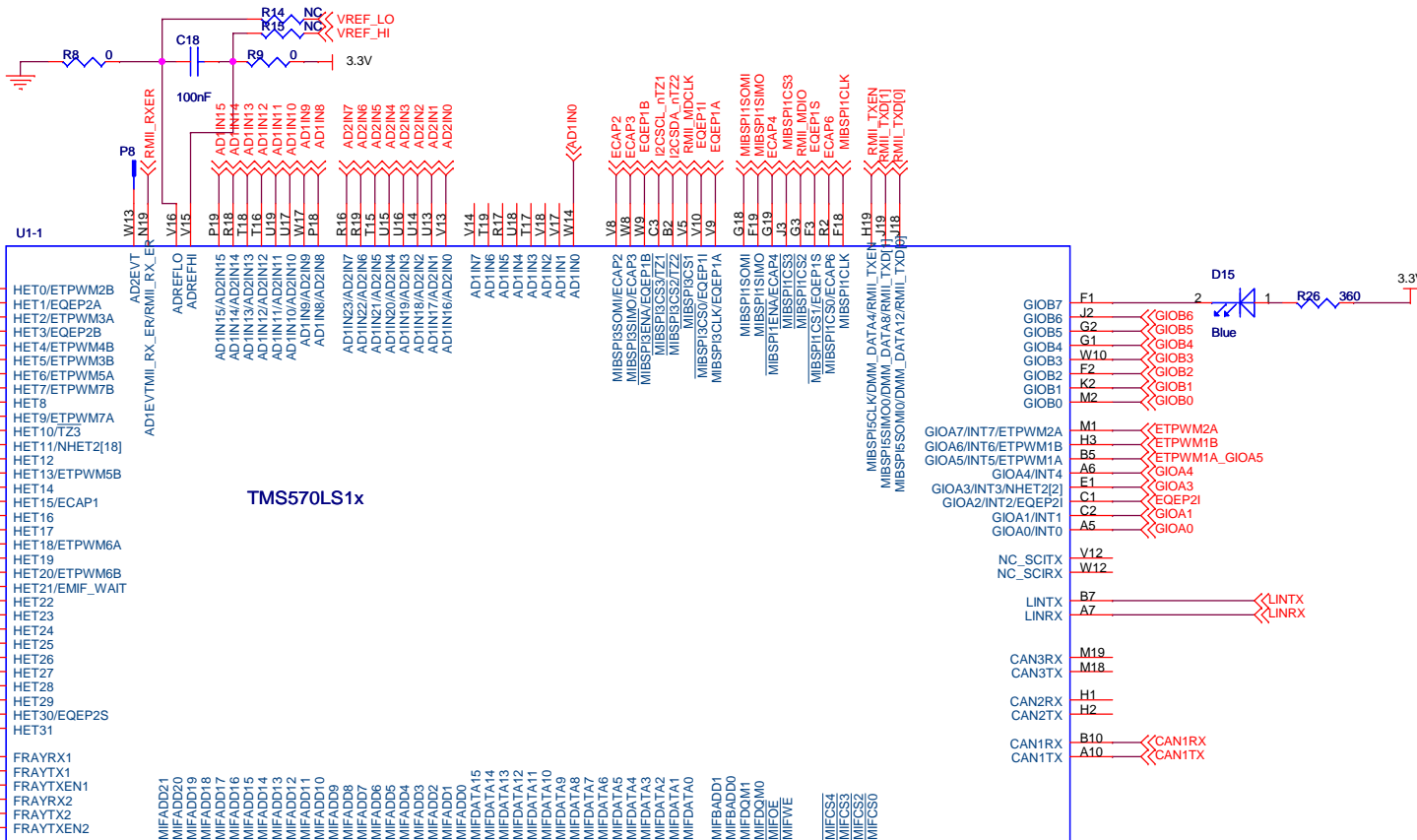
Sheet

1

of

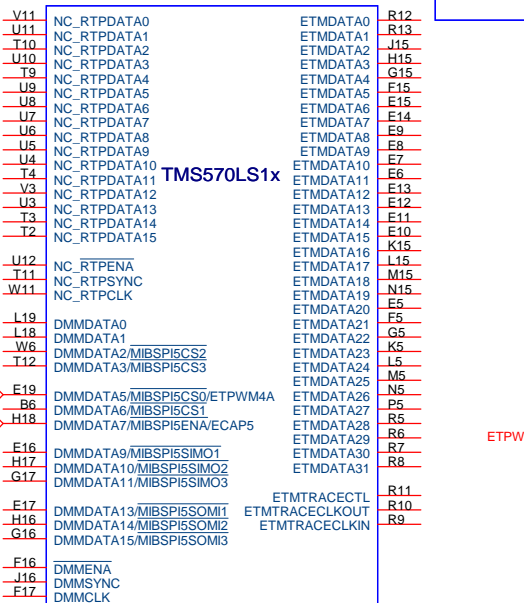
7

MCU PINS



No Connects
Unused Pins

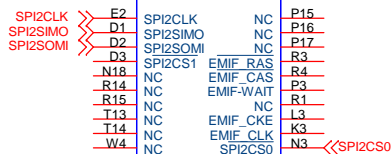
U1-2



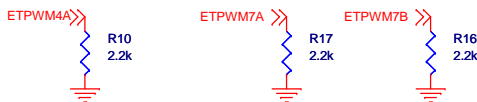
TMS570LS1x

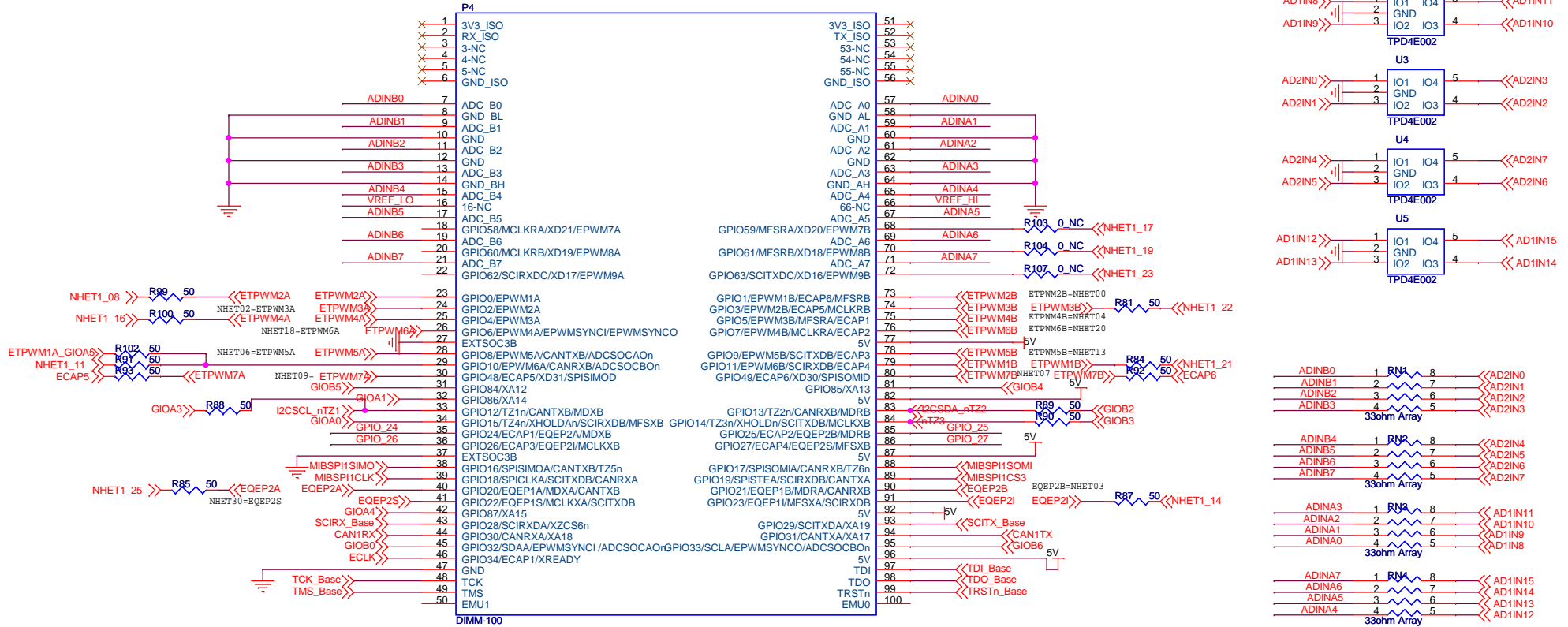
TMS570LS1x

U1-5

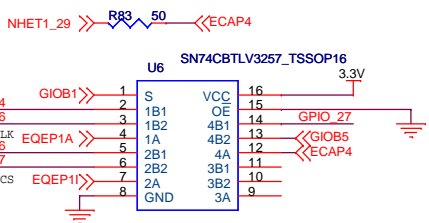
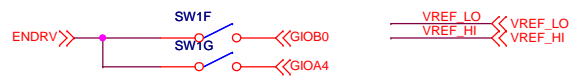


TMS570LS1x





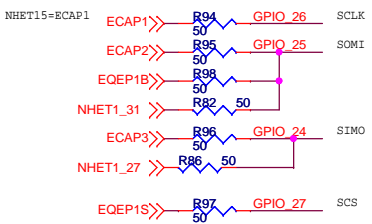
R81-R102 will be assembled to use NHET rather than the eModules.



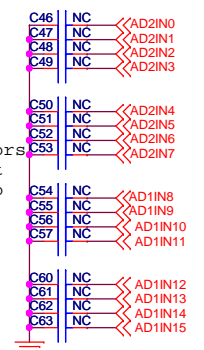
GPIO_24(SIMO) EQEP1A, ECAP3, HET27
 GPIO_25(SOMI) ECAP2(SOMI), EQEP1B, HET31
 GPIO_26(SCLK) EQEP1I, ECAP1(HET15)
 GPIO_27(SCS) EQEP1S, ECAP4, HET29
 DIMM Pin31 GIOA5

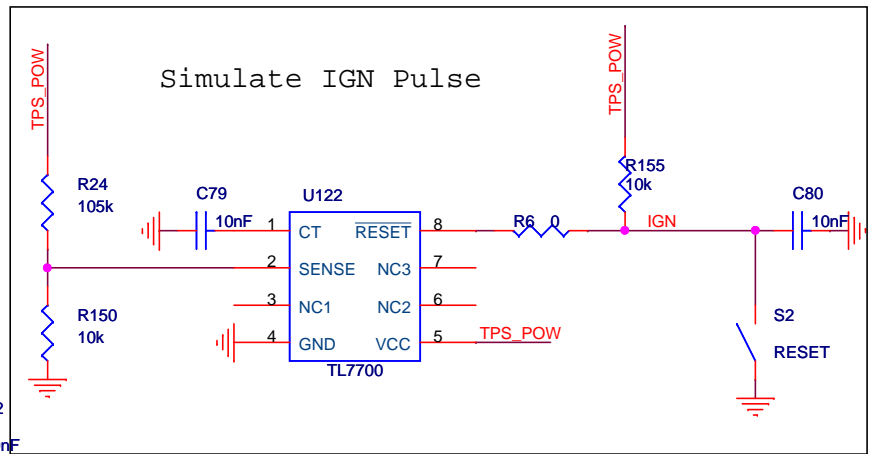
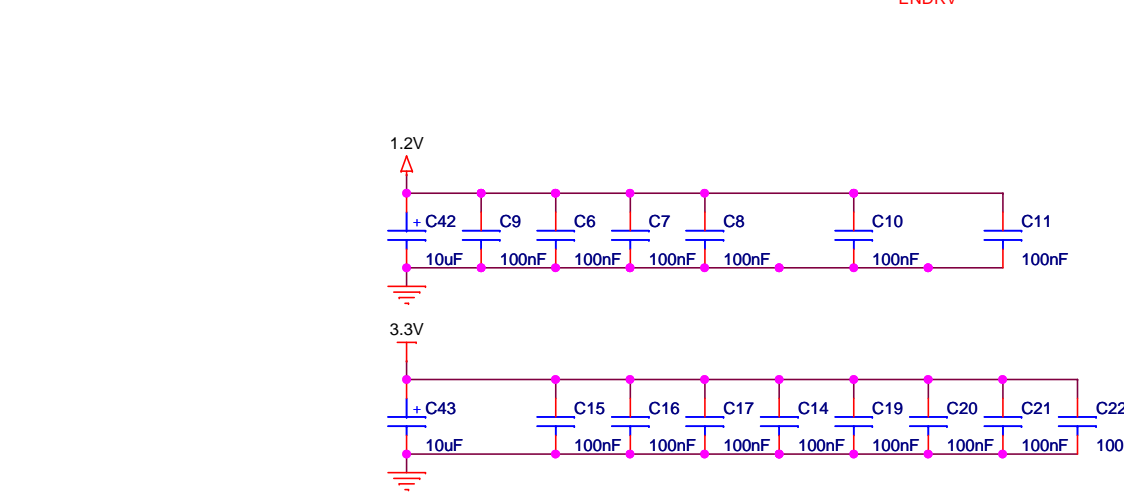
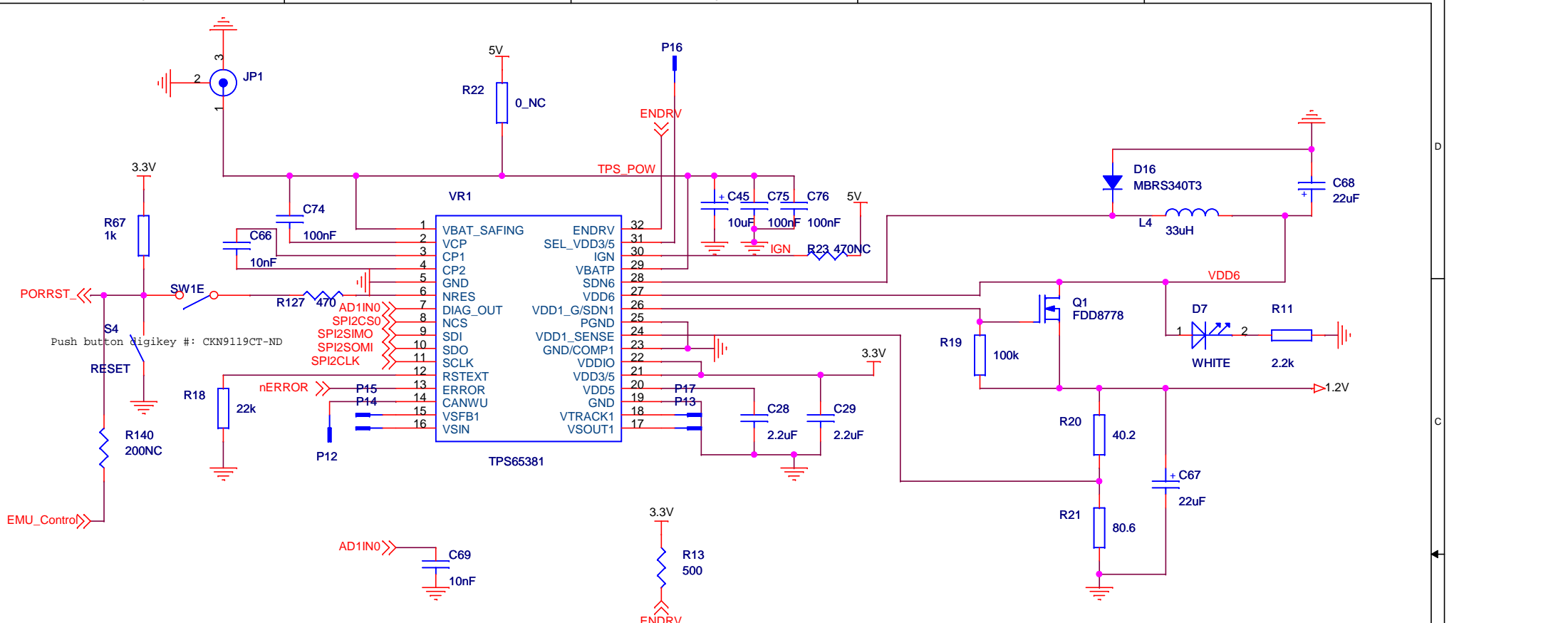
ECAP2-SPI3SOMI
 ECAP3-SPI3SIMO
 EQEP1I-SPI3CS0
 EQEP1A-SPI3CLK

Driving GIOB1 to 1 only when use this control card with DRV830x development kit.
 So that, the control card can talk the DRV 830x through SPI3 and connect CAP4 to DIMM Pin31
 Make sure no other pin drives the same net at the same time.
 X=Y above means that the uC multiplexer allows either function X or Y on the pin



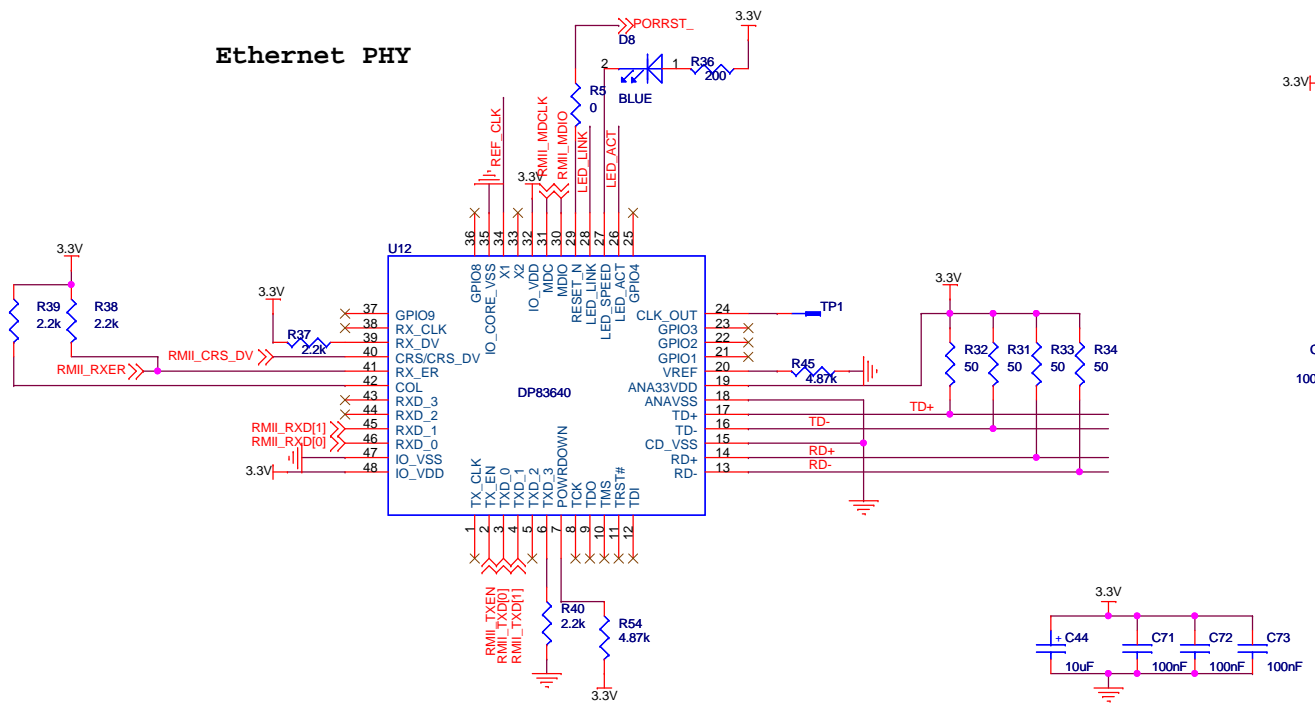
These 16 capacitors is for ADC input channel noise. No Pop.



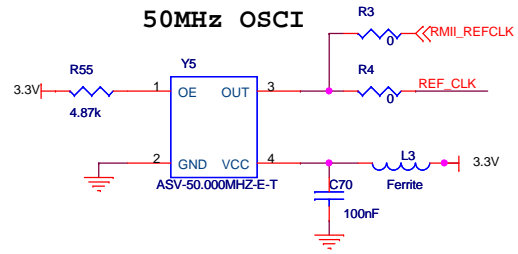


| | | | |
|-------------------|------------------------------|-------------------------|--------|
| TEXAS INSTRUMENTS | | | |
| Title | | POWER | |
| Size | Document Number | TMS570LS1x Control Card | Rev |
| Custom | | | 1.0 |
| Date: | Thursday, September 20, 2012 | Sheet | 4 of 7 |

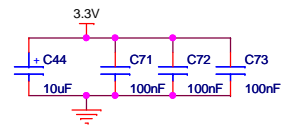
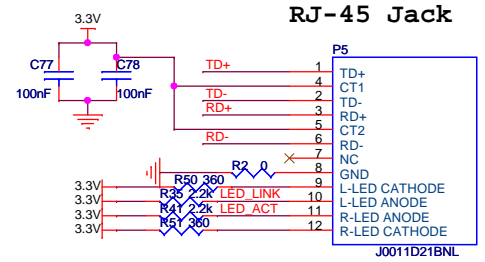
Ethernet PHY

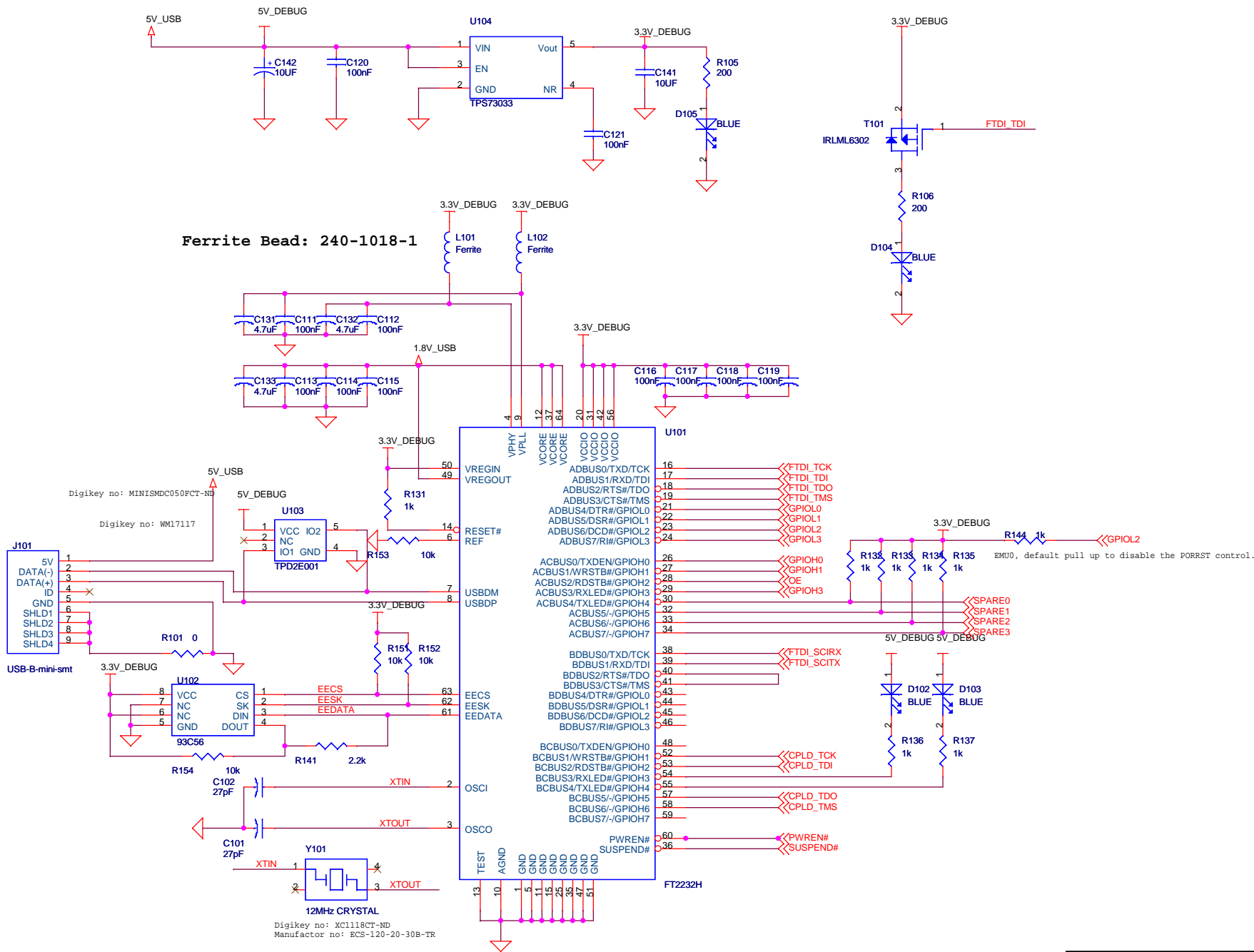


50MHz OSC



RJ-45 Jack





Ferrite Bead: 240-1018-1

Digikey no: MINISMDC050FCT-ND
 Digikey no: WM17117

EMU0, default pull up to disable the PORRST control.

Digikey no: XC1118CT-ND
 Manufacturer no: ECS-120-20-30B-TR

