

NOTES, UNLESS OTHERWISE SPECIFIED:

1. RESISTANCE VALUES IN OHMS.
2. CAPACITANCE VALUES IN MICROFARADS.
3. REFERENCE DESIGNATORS USED:
4. ALL 0.1 uF AND 0.01uF CAPACITORS ARE DECOUPLING CAPS UNLESS OTHERWISE NOTED. THEY ARE SHOWN ON THE PAGE WITH THE INTEGRATED CIRCUITS THEY SHOULD BE PLACED NEAR.
5. NHET1xx means NHET1\_[xx].
6. OBSERVE THE LAYOUT NOTES IN SCHEMATIC.

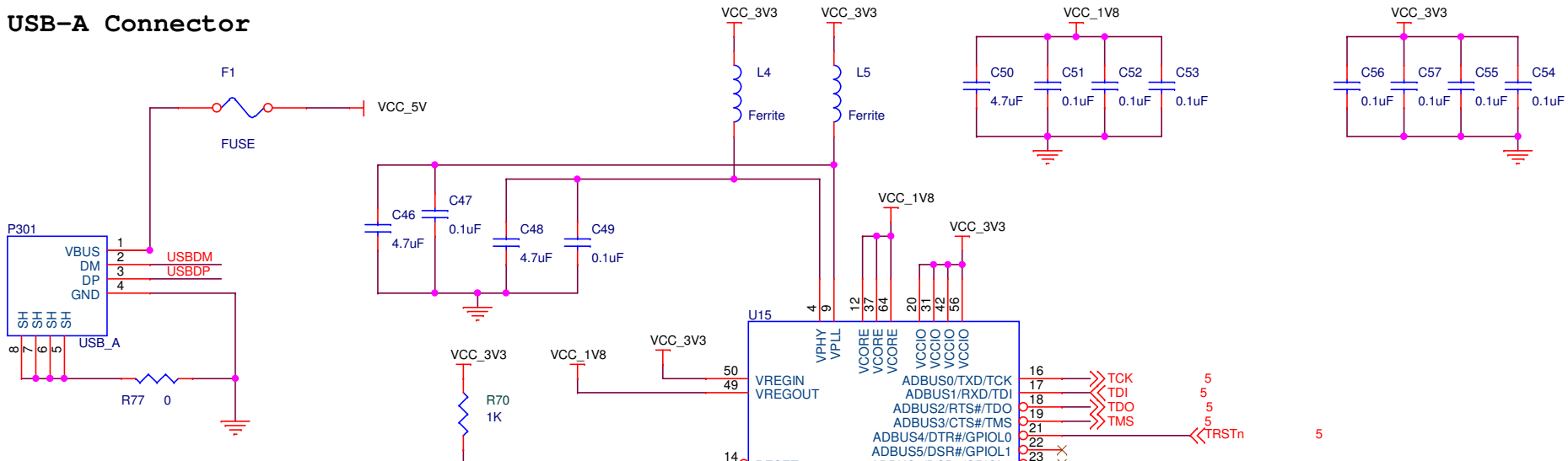
This schematics is for both TMS570LS31x and RM48 devices. They have same package. TMS570LS31x is Big-Endian device, but RM48 is Little-Endian device.

SCHEMATIC CONTENTS

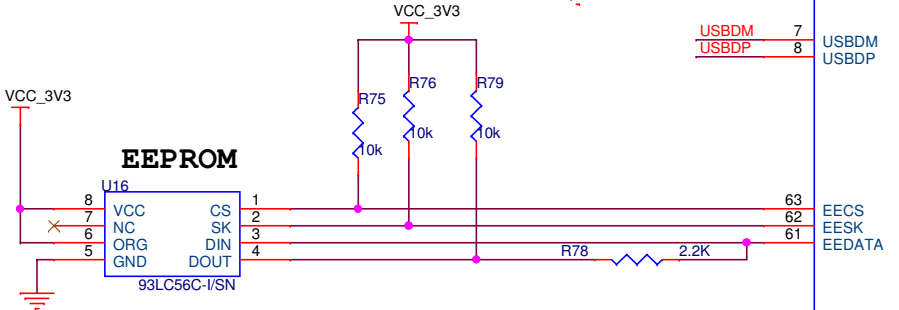
- 01 TITLE SHEET
- 02 USB & FTDI
- 03 CPLD
- 04 MCU PINS
- 05 JTAG
- 06 DCAN & NC
- 07 Sensors & LEDs
- 08 Development Pins
- 09 Power

Title		
<b>TMS570LS31x USBSTICK</b>		
Size A	Document Number Title	Rev A
Date:	Wednesday, July 31, 2013	Sheet 1 of 9

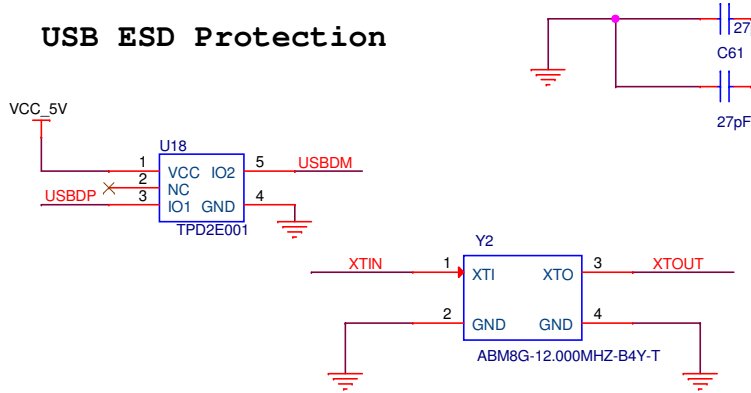
# USB-A Connector



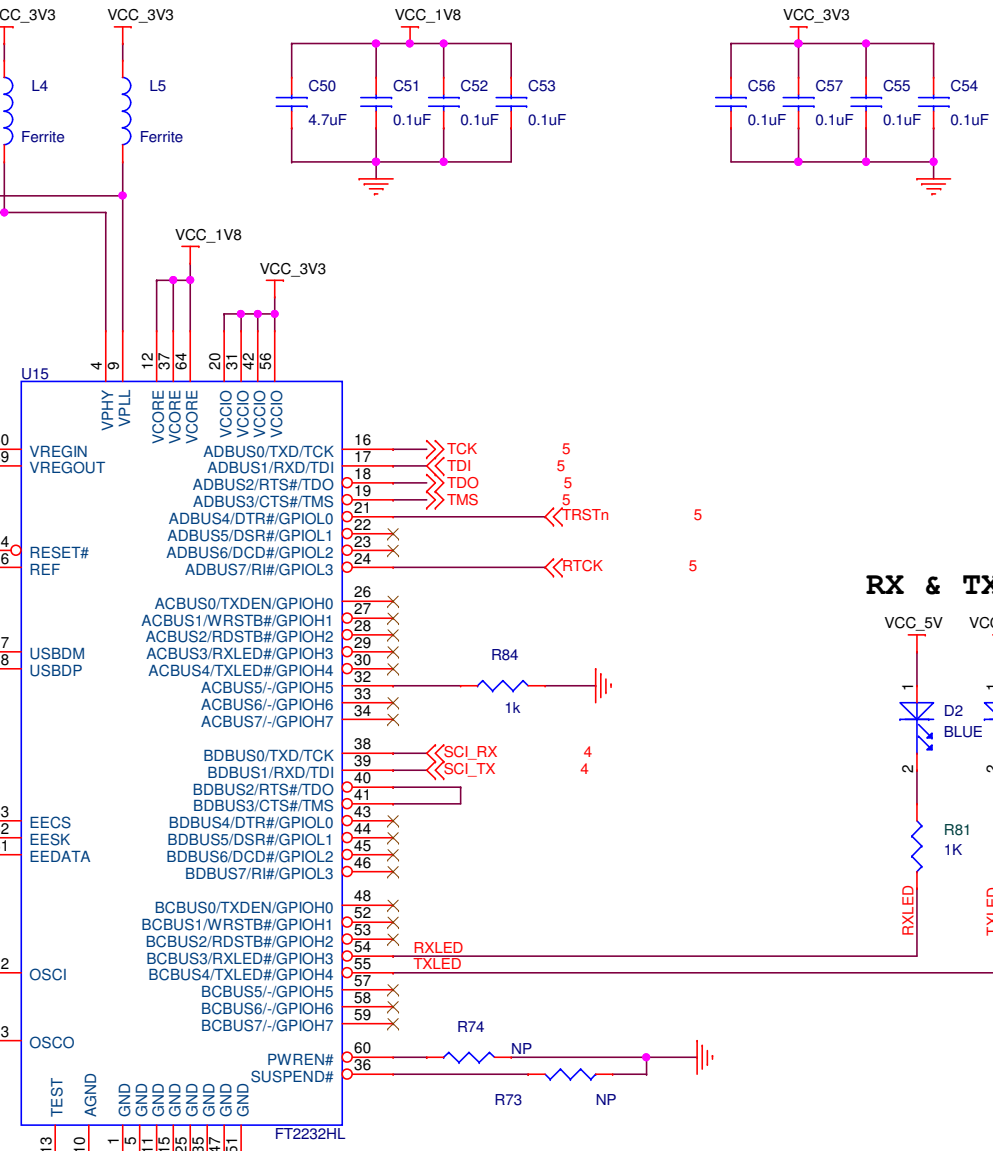
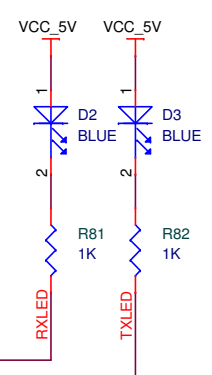
## EEPROM



## USB ESD Protection



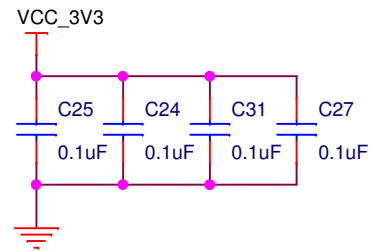
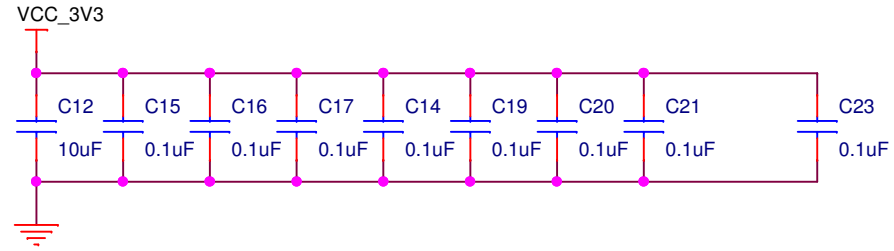
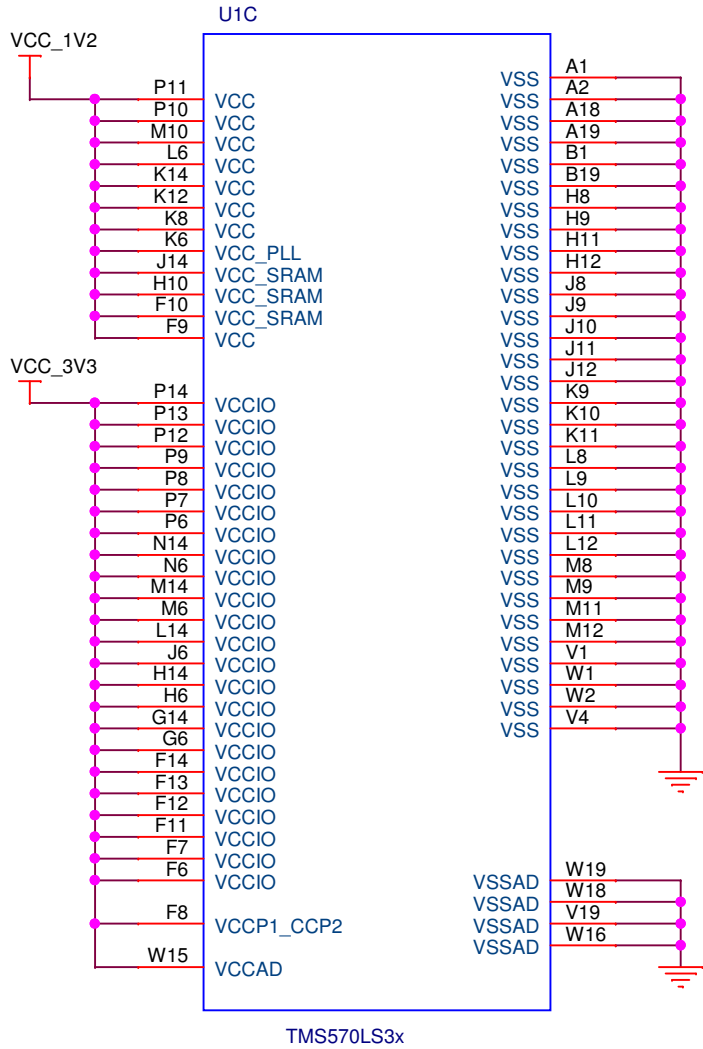
## RX & TX LED



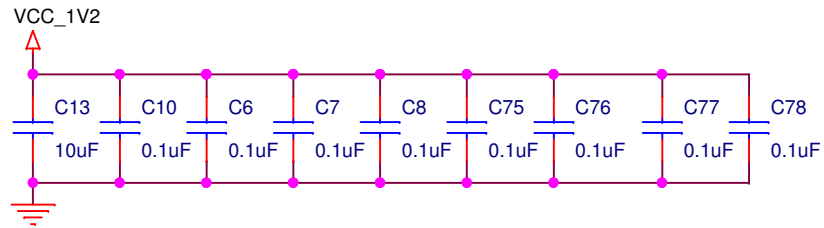
TI CONFIDENTIAL / PRELIMINARY	
Title <b>TMS570LS31x USBSTICK</b>	
Size Custom	Document Number FTDI & USB
Date: Wednesday, July 31, 2013	Sheet 2 of 9
	Rev B

# Power-Ground on MCU

25 VCCIO+VCCAD+VCCP1/2 Pins

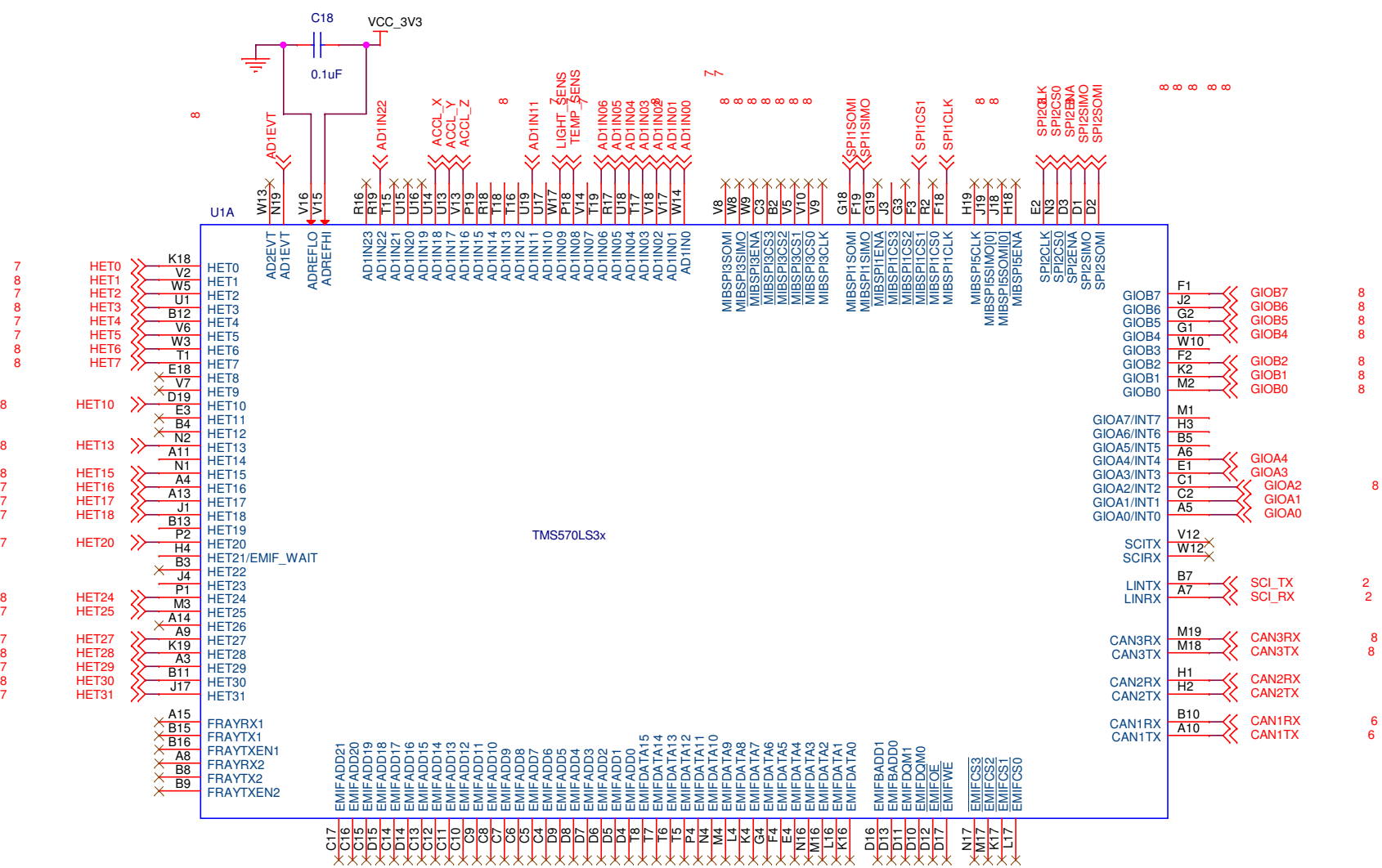


12 VCC pins

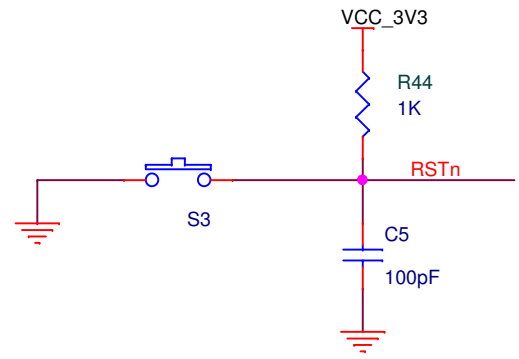
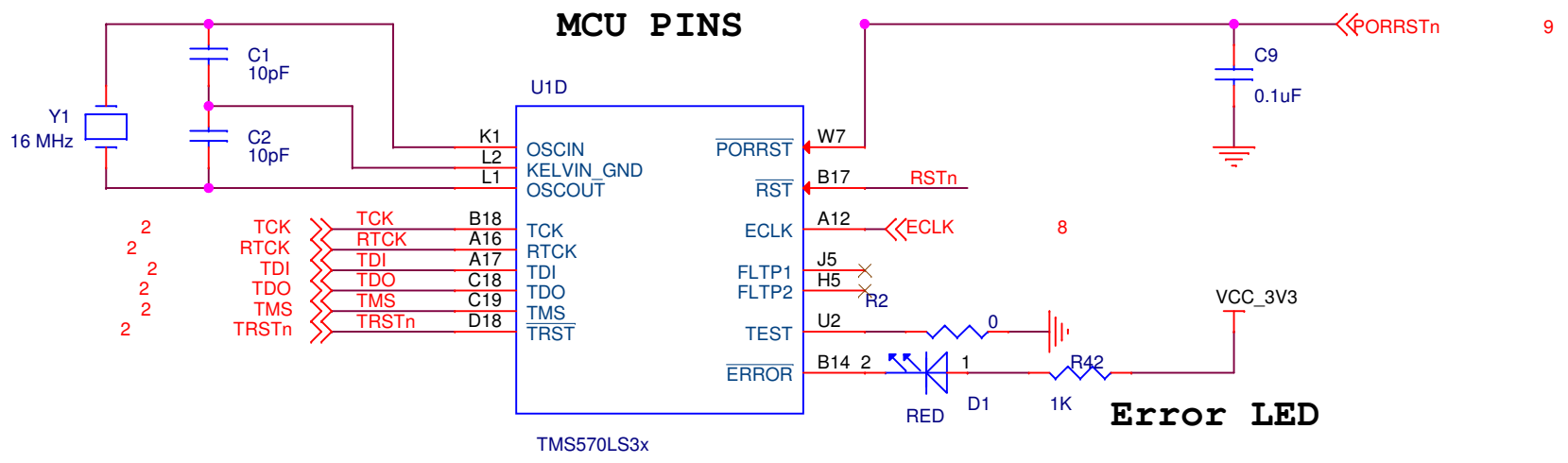


Title		
<b>TMS570LS31x USBSTICK</b>		
Size A	Document Number	Rev A
	POWER and GND	
Date:	Wednesday, July 31, 2013	Sheet 3 of 9

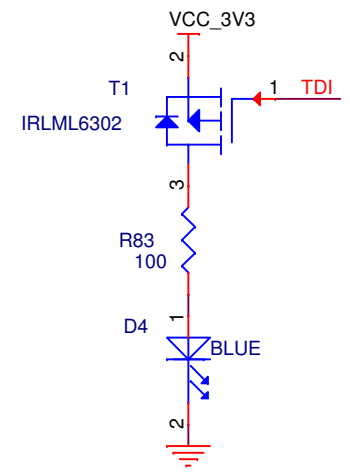
# MCU PINS



TI CONFIDENTIAL / PRELIMINARY			
Title			
<b>TMS570LS31x USBSTICK</b>			
Size	Document Number	MCU Pins	Rev
Custom			B
Date:	Wednesday, July 31, 2013	Sheet	4 of 9



### JTAG LED

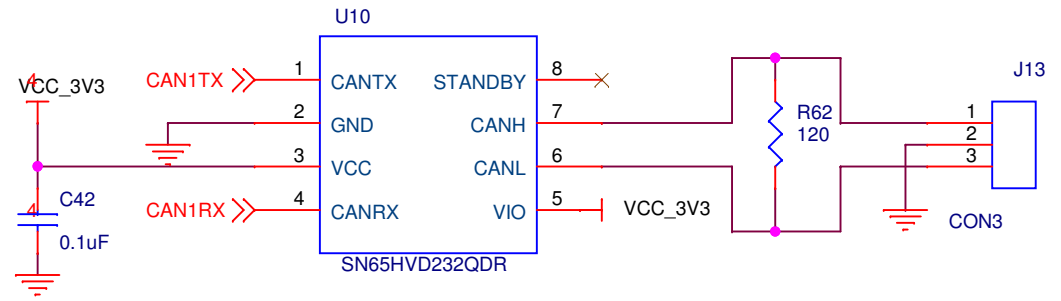


TI CONFIDENTIAL / PRELIMINARY	
<b>Title</b>	
<b>TMS570LS31x USBSTICK</b>	
<b>Size</b>	<b>Document Number</b>
A	JTAG
<b>Date:</b>	<b>Sheet</b>
Wednesday, July 31, 2013	5 of 9
<b>Rev</b>	<b>B</b>

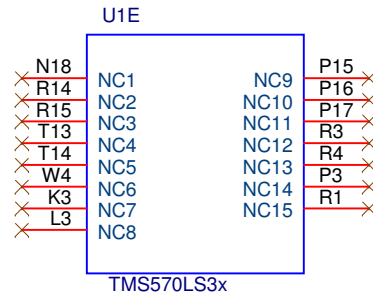
# Unused Pins

U1B			
<del>V11</del>	RTPDATA0	ETMDATA0	<del>R12</del>
<del>U11</del>	RTPDATA1	ETMDATA1	<del>R13</del>
<del>T10</del>	RTPDATA2	ETMDATA2	<del>J15</del>
<del>U10</del>	RTPDATA3	ETMDATA3	<del>H15</del>
<del>T9</del>	RTPDATA4	ETMDATA4	<del>G15</del>
<del>U9</del>	RTPDATA5	ETMDATA5	<del>F15</del>
<del>U8</del>	RTPDATA6	ETMDATA6	<del>E15</del>
<del>U7</del>	RTPDATA7	ETMDATA7	<del>E14</del>
<del>U6</del>	RTPDATA8	ETMDATA8	<del>E9</del>
<del>U5</del>	RTPDATA9	ETMDATA9	<del>E8</del>
<del>U4</del>	RTPDATA10	ETMDATA10	<del>E7</del>
<del>T4</del>	RTPDATA11	ETMDATA11	<del>E6</del>
<del>V3</del>	RTPDATA12	ETMDATA12	<del>E13</del>
<del>U3</del>	RTPDATA13	ETMDATA13	<del>E12</del>
<del>T3</del>	RTPDATA14	ETMDATA14	<del>E11</del>
<del>T2</del>	RTPDATA15	ETMDATA15	<del>E10</del>
		ETMDATA16	<del>K15</del>
		ETMDATA17	<del>L15</del>
<del>U12</del>	RTPENAI	ETMDATA18	<del>M15</del>
<del>T11</del>	RTPSYNC	ETMDATA19	<del>N15</del>
<del>W11</del>	RTPLCK	ETMDATA20	<del>E5</del>
		ETMDATA21	<del>F5</del>
<del>L19</del>	DMMDATA0	ETMDATA22	<del>G5</del>
<del>L18</del>	DMMDATA1	ETMDATA23	<del>K5</del>
<del>W6</del>	DMMDATA2/MIBSPI5CS2	ETMDATA24	<del>L5</del>
<del>T12</del>	DMMDATA3/MIBSPI5CS3	ETMDATA25	<del>M5</del>
		ETMDATA26	<del>N5</del>
<del>E19</del>	DMMDATA5/MIBSPI5CS0	ETMDATA27	<del>P5</del>
<del>B6</del>	DMMDATA6/MIBSPI5CS1	ETMDATA28	<del>R5</del>
		ETMDATA29	<del>R6</del>
<del>E16</del>	DMMDATA9/MIBSPI5SIMO1	ETMDATA30	<del>R7</del>
<del>H17</del>	DMMDATA10/MIBSPI5SIMO2	ETMDATA31	<del>R8</del>
<del>G17</del>	DMMDATA11/MIBSPI5SIMO3		
		ETMTRACECTL	<del>R11</del>
<del>E17</del>	DMMDATA13/MIBSPI5SOMI1	ETMTRACECLKOUT	<del>R10</del>
<del>H16</del>	DMMDATA14/MIBSPI5SOMI2	ETMTRACECLKIN	<del>R9</del>
<del>G16</del>	DMMDATA15/MIBSPI5SOMI3		
<del>F16</del>	DMMENA		
<del>J16</del>	DMMSYNC		
<del>F17</del>	DMMCLK		

# Can Transceiver

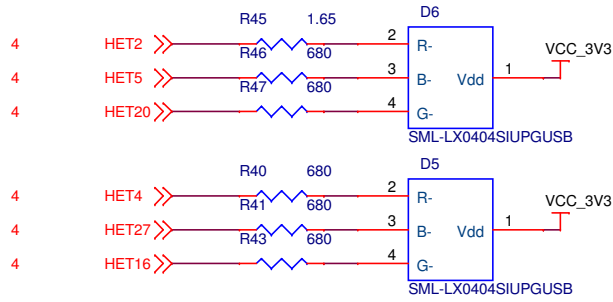


# No Connects

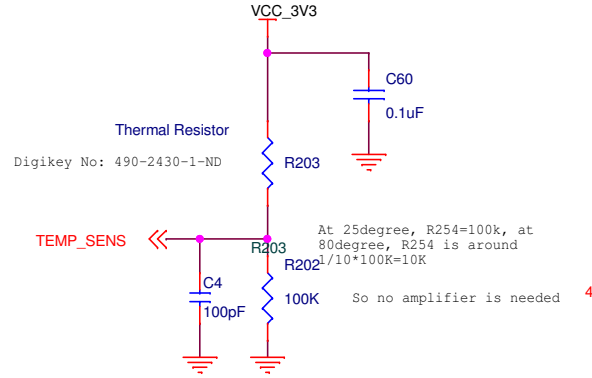


TI CONFIDENTIAL / PRELIMINARY	
Title <b>TMS570LS31x USBSTICK</b>	
Size A	Document Number DCAN & NC
Date: Wednesday, July 31, 2013	Sheet 6 of 9
Rev B	

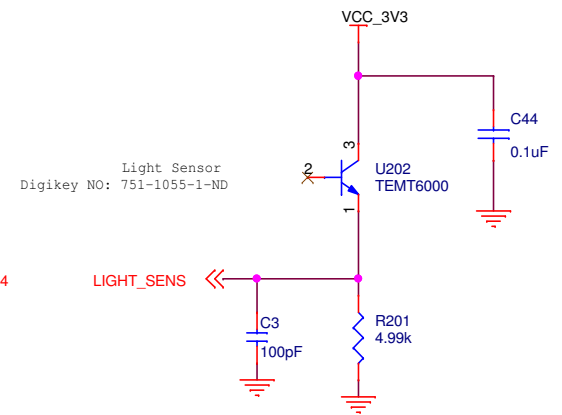
### Tri-Color LEDs



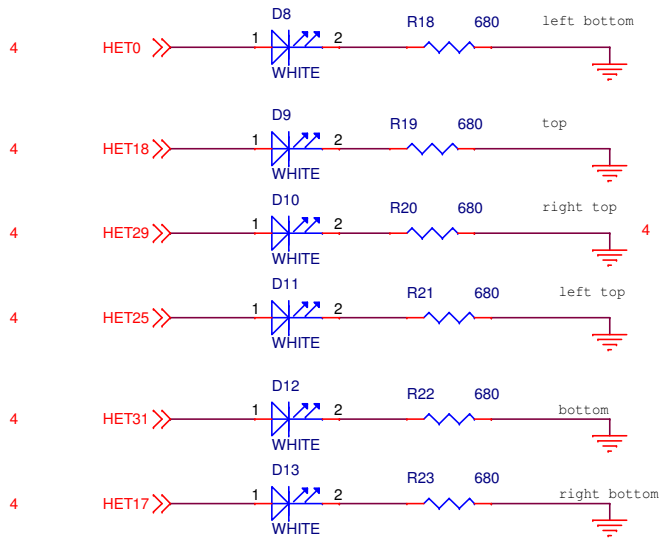
### Temperature Sensor



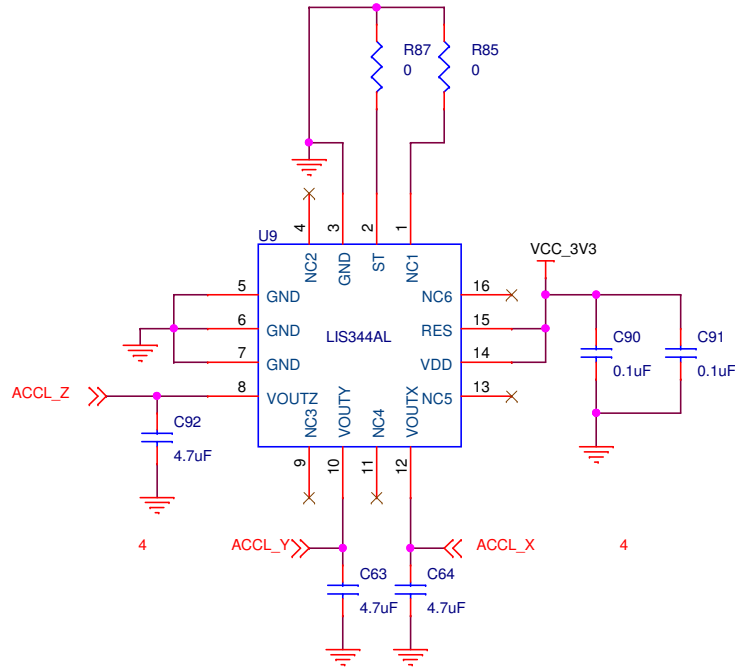
### Light Sensor



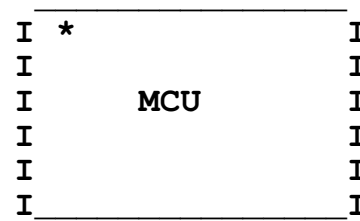
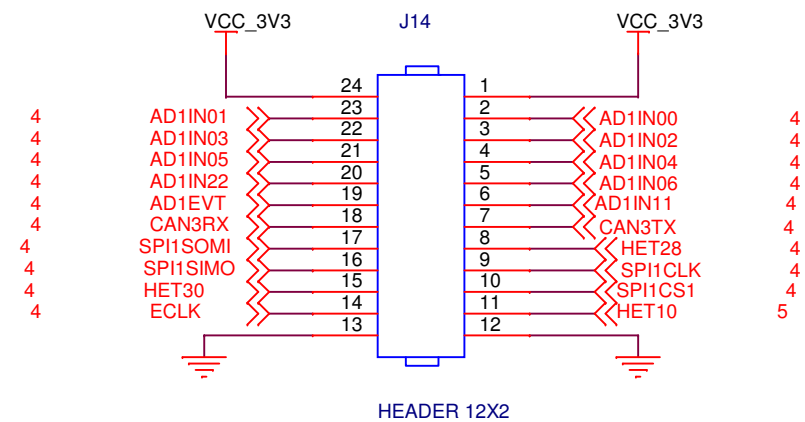
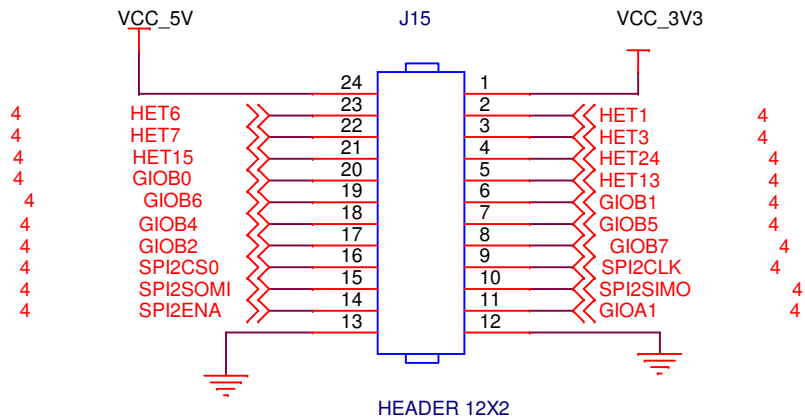
### LEDs



### Accelerometer

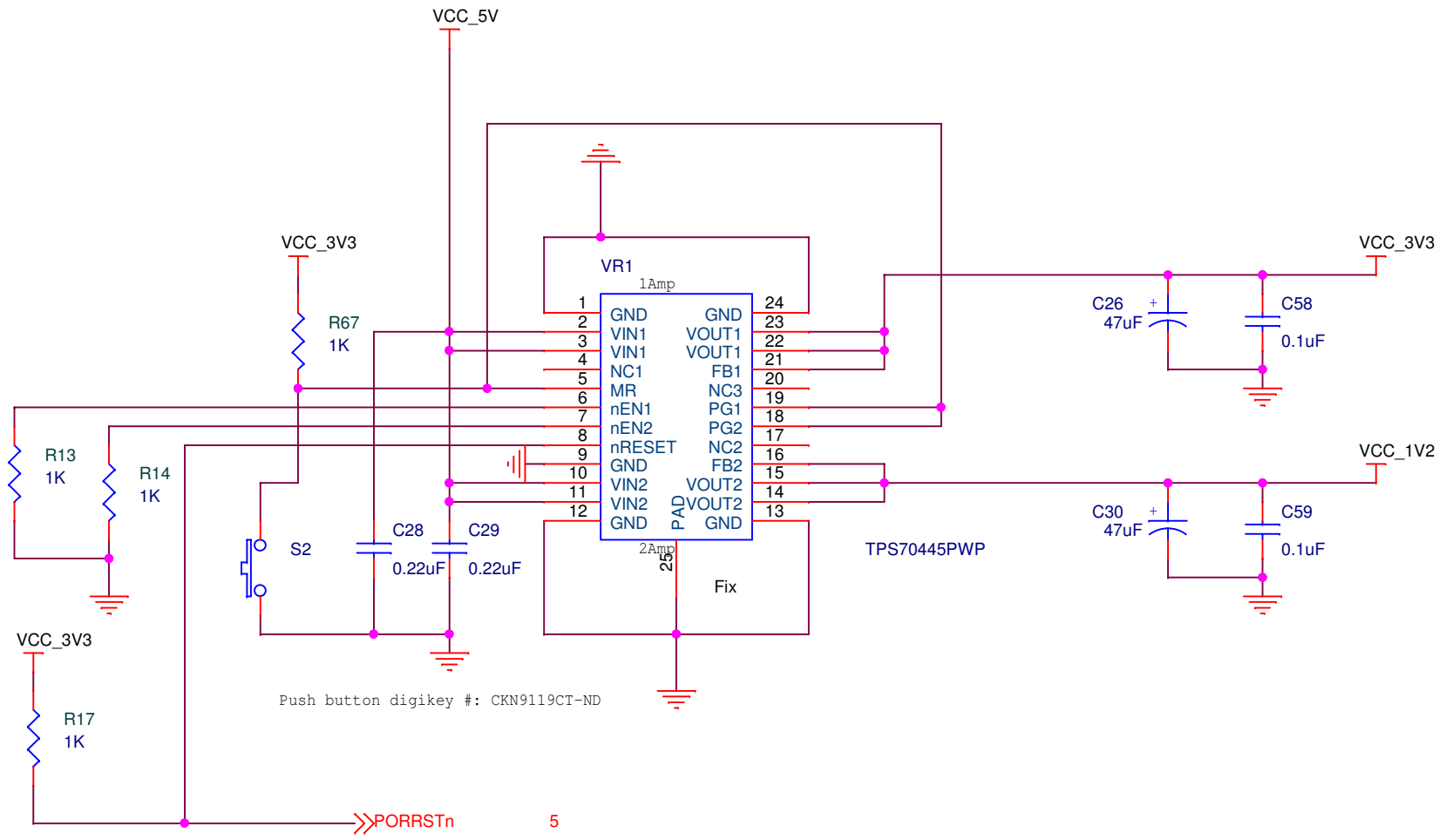


TI CONFIDENTIAL / PRELIMINARY			
Title			
<b>TMS570LS31x USBSTICK</b>			
Size	Document Number	Sensors & LEDs	Rev
Custom			B
Date:	Wednesday, July 31, 2013	Sheet	7 of 9

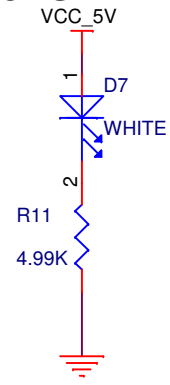


TI CONFIDENTIAL / PRELIMINARY			
Title <b>TMS570LS31x USBSTICK</b>			
Size A	Document Number	Development Pins	Rev B
Date:	Wednesday, July 31, 2013	Sheet 8 of 9	





### Power LED



Title			
<b>TMS570LS31x USBSTICK</b>			
Size A	Document Number POWER	Rev B	
Date: Wednesday, July 31, 2013		Sheet 9 of 9	