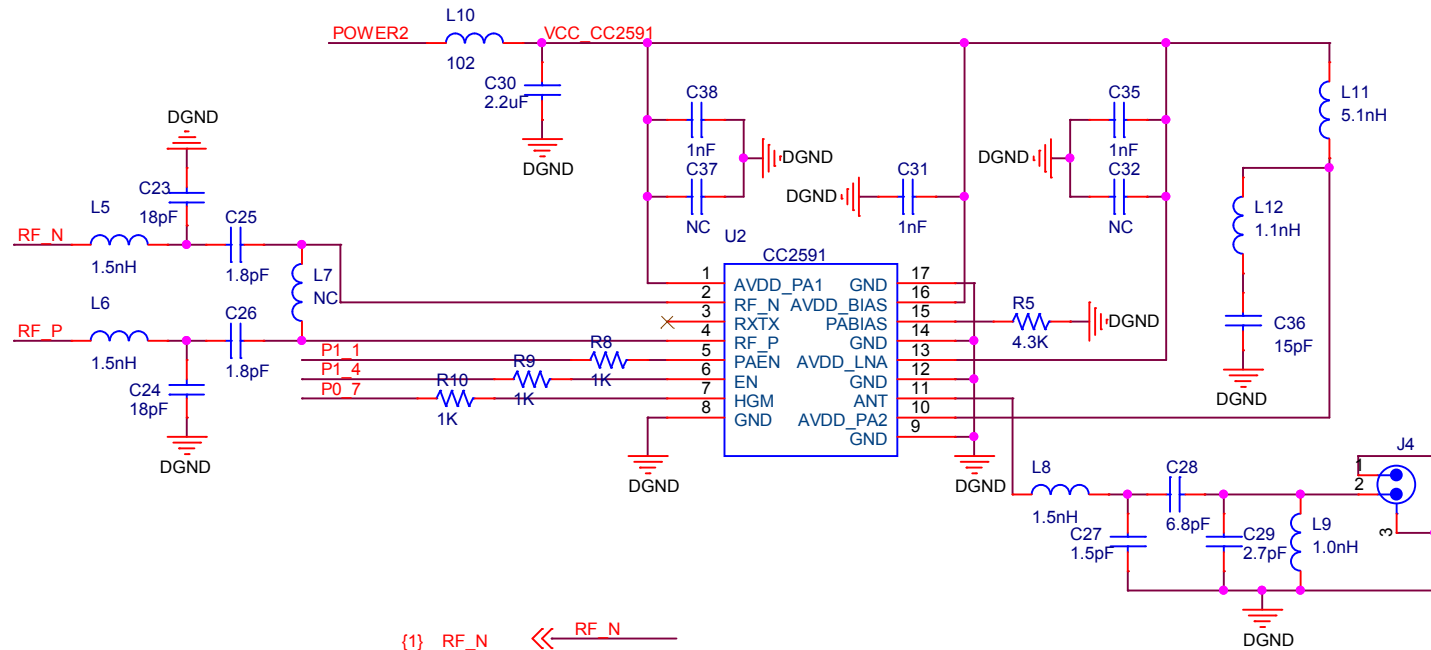



<b>弥亚微电子(上海)有限公司</b> <small>INNOVATION FOR THE FUTURE</small>			
<b>Title</b> <b>Intelligent_Gateway_Zigbee</b>		<b>Designed By</b> <b>ShenMing</b>	
<b>Size</b> A4	<b>Page Description</b> Zigbee模块		<b>Rev</b> V1.0
<b>Date:</b> Thursday, October 29, 2015		<b>Sheet</b> 1	<b>of</b> 2



- {1} RF\_N << RF\_N
- {1} RF\_P << RF\_P
- {1} POWER2 << POWER2
- {1} P1\_1 << P1\_1
- {1} P1\_4 << P1\_4
- {1} P0\_7 << P0\_7

 <b>弥亚微电子（上海）有限公司</b> <small>INNOVATION FOR THE FUTURE</small>		
<b>Title</b> <b>Intelligent_Gateway_Zigbee</b>		<b>Designed By</b> <b>ShenMing</b>
<b>Size</b> A4	<b>Page Description</b> PA模块	<b>Rev</b> V2.0
<b>Date:</b> Thursday, October 29, 2015		<b>Sheet</b> 2 <b>of</b> 2