


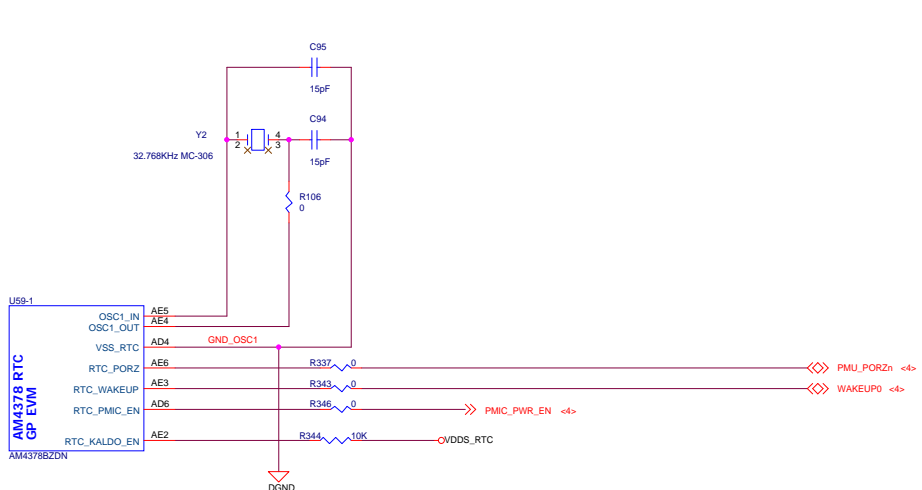
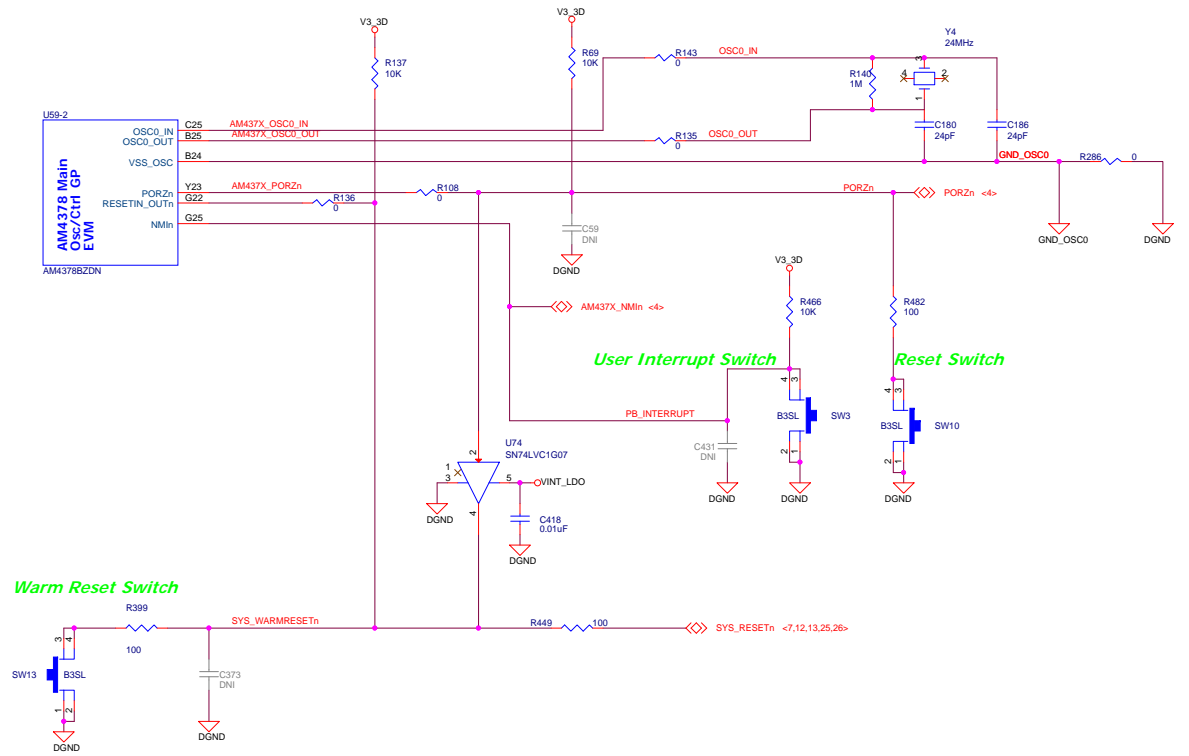
ARM MPU AM4378 General Purpose EVM

- See the Hardware User Guide for board details
- See the Errata document for the board for details
- See the PCB Build Specification for PCB Details

M3 Screw4-40_5/8in	M7 Screw4-40_1/4in	M11 Standoff4-40_round_5/8inlong	M15 Rubber Feet
M4 Screw4-40_5/8in	M8 Screw4-40_1/4in	M12 Standoff4-40_round_5/8inlong	M16 Rubber Feet
M5 Screw4-40_5/8in	M9 Screw4-40_1/4in	M13 Standoff4-40_round_5/8inlong	M17 Rubber Feet
M6 Screw4-40_5/8in	M10 Screw4-40_1/4in	M14 Standoff4-40_round_5/8inlong	M18 Rubber Feet

PCB1
AM437x GP EVM Bare PCB

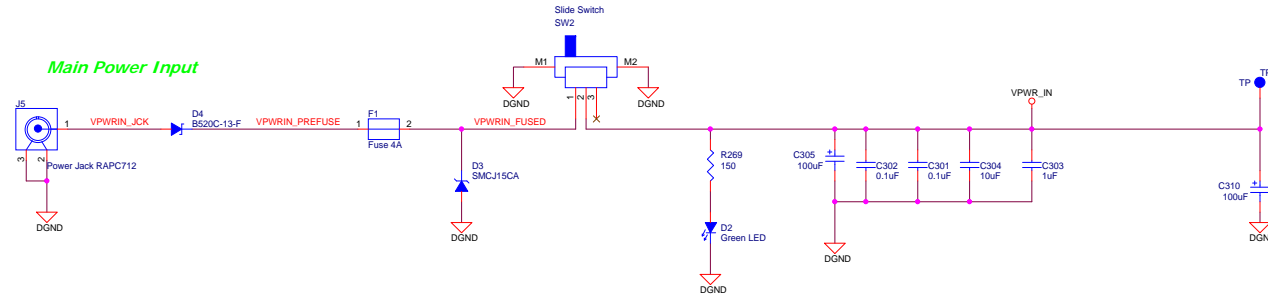
ARM MPU	Texas Instruments, Inc.			
	ARM MPU Business Unit 12500 TI Blvd Dallas, TX 75243			
	AM4378 General Purpose EVM			
	Title Page			
Size	Document Number	Modified By:	Rev	
C	am437x_gp_evm_3k0006_rev1_5b.dsn	Damon Domke	1.5B	
Date: Tuesday, April 14, 2015		Sheet: 1 of 27		



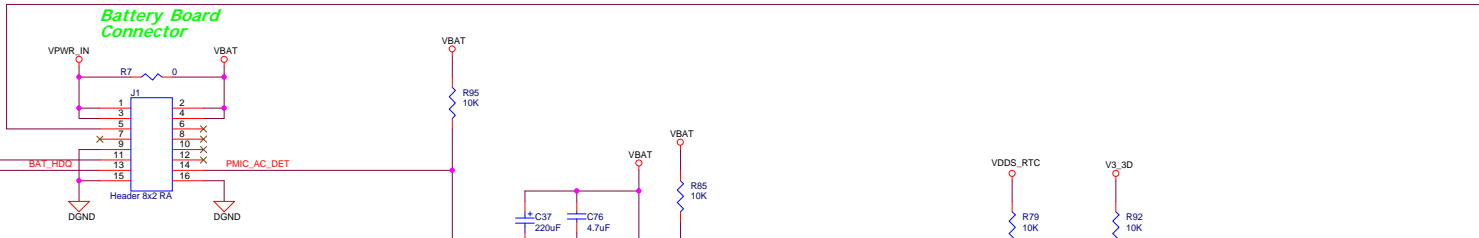
defaultbuild

ARM MPU	Texas Instruments, Inc.				
	ARM MPU Business Unit				
	12500 TI Blvd Dallas, TX 75243				
Final					
AM4378 General Purpose EVM					
AM4378 System/RTC					
Size	Document Number	Modified By:	Rev		
C	am437x_gp_evm_3k0006_rev1_5b.dsn	Damon Domke	1.5B		
Date:	Tuesday, April 14, 2015	Sheet:	2	of 27	

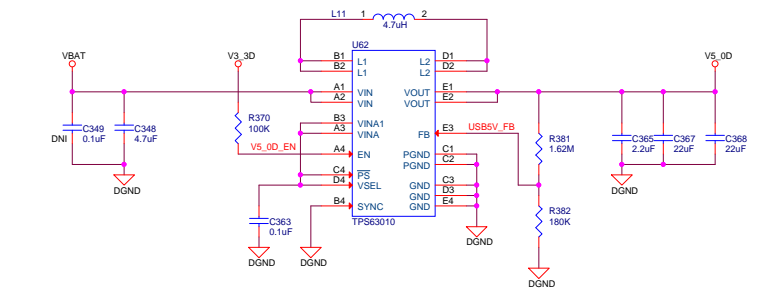
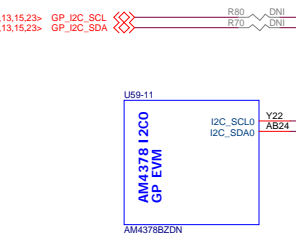
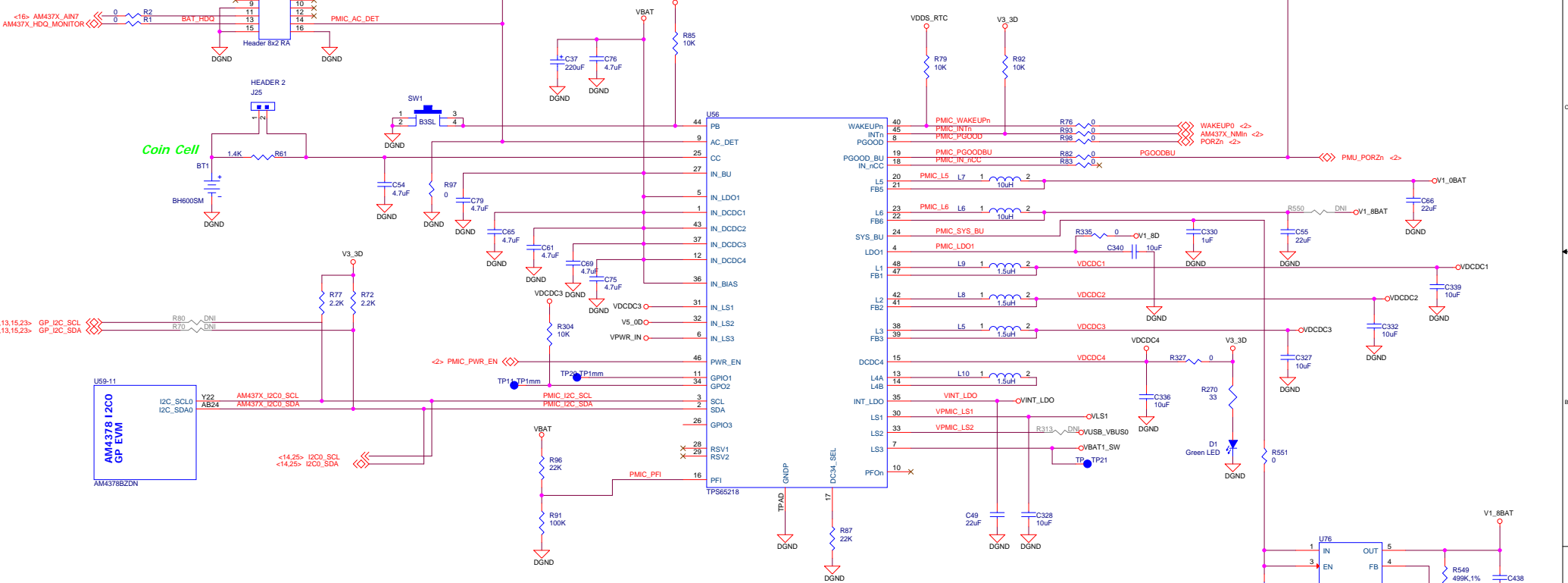
Main Power Input



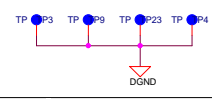
Battery Board Connector

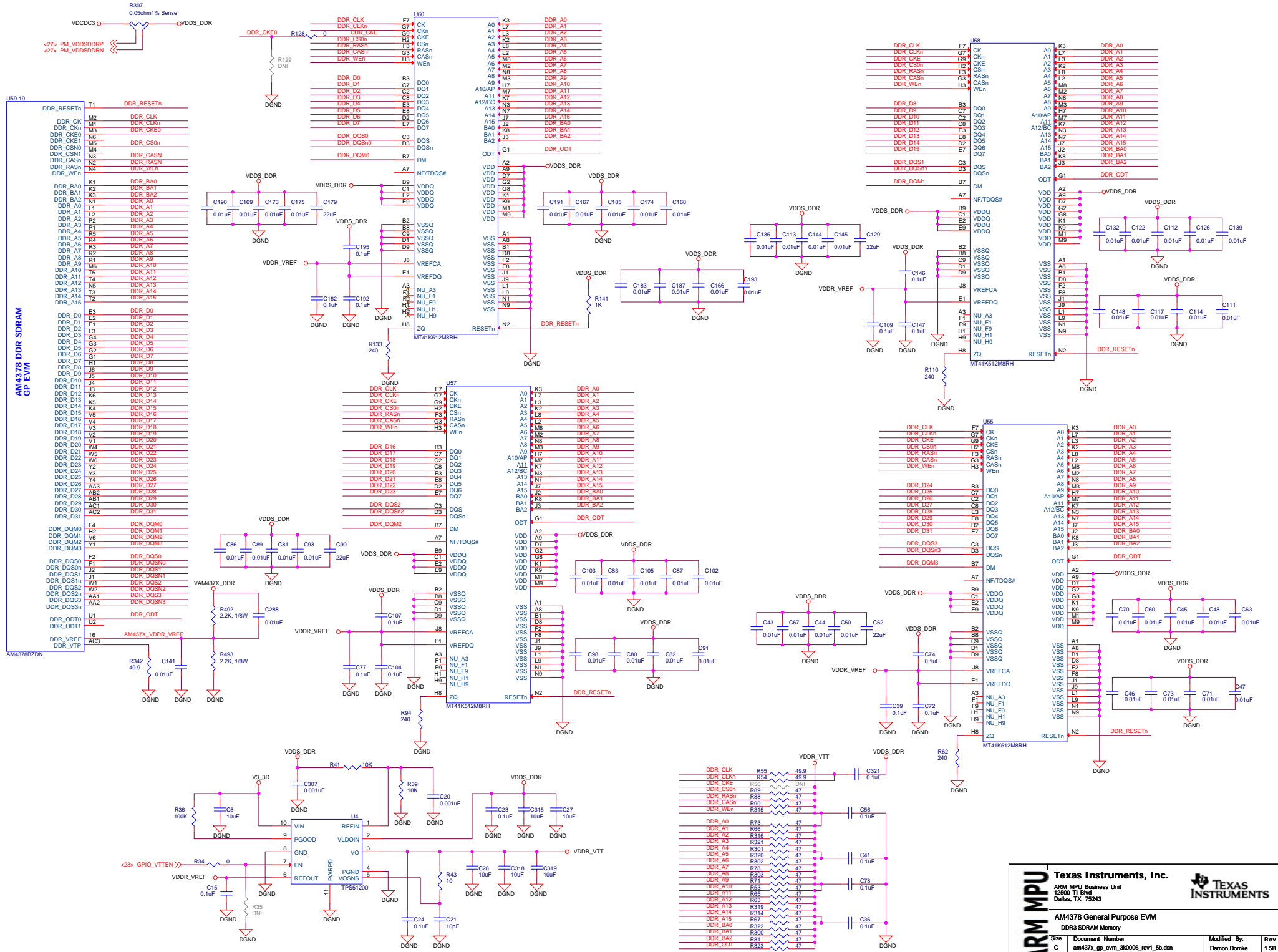


Coin Cell



ARM MPU	Texas Instruments, Inc.		
	ARM MPU Business Unit 12500 TI Blvd Dallas, TX 75243		
	AM4378 General Purpose EVM		
	Power		
Size	Document Number	Modified By:	Rev
C	am437x_gp_evm_3k0006_rev1_5b.dsn	Damon Domke	1.5B
Date: Tuesday, April 14, 2015			Sheet: 4 of 27





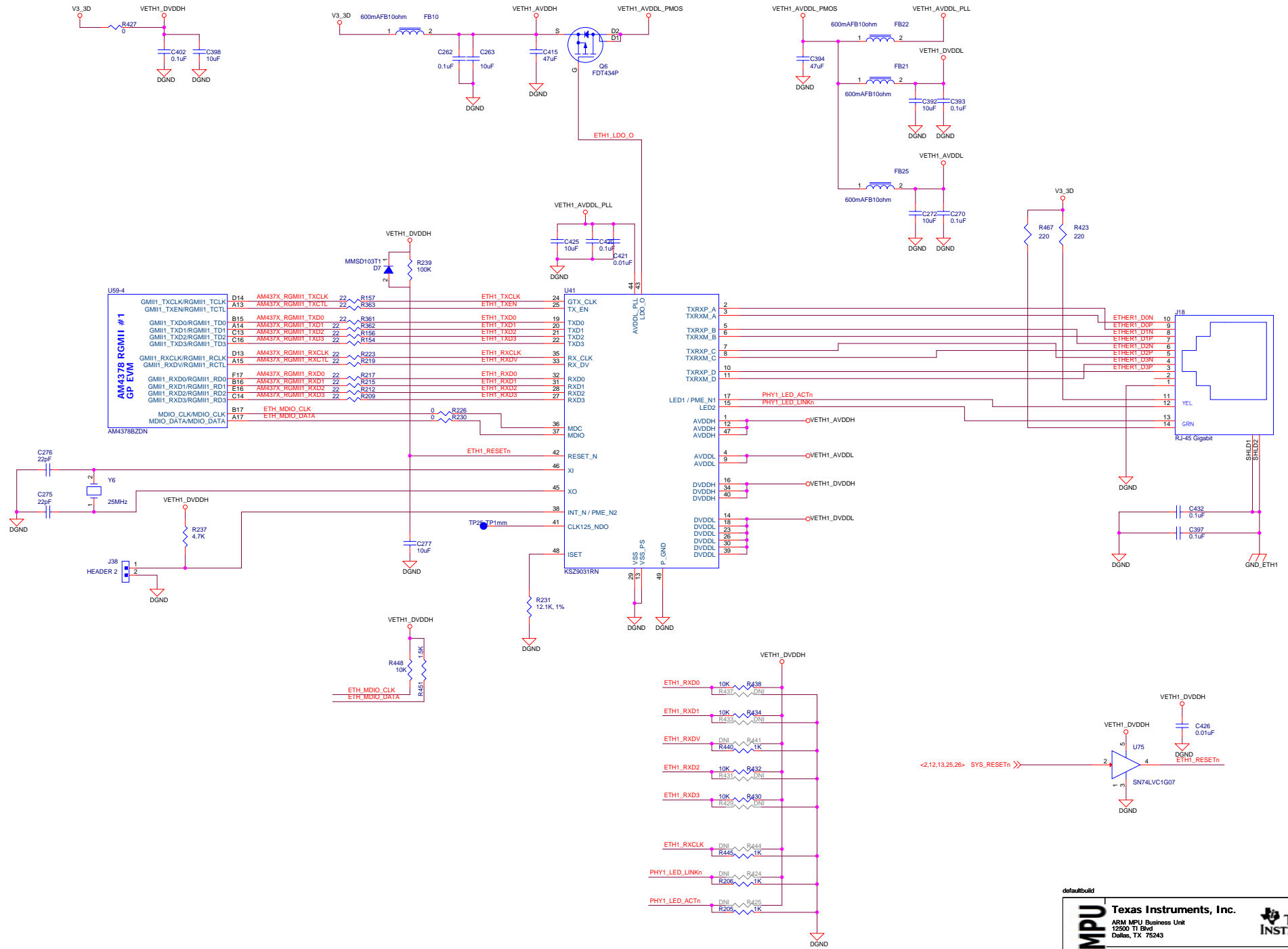
ARM MPU

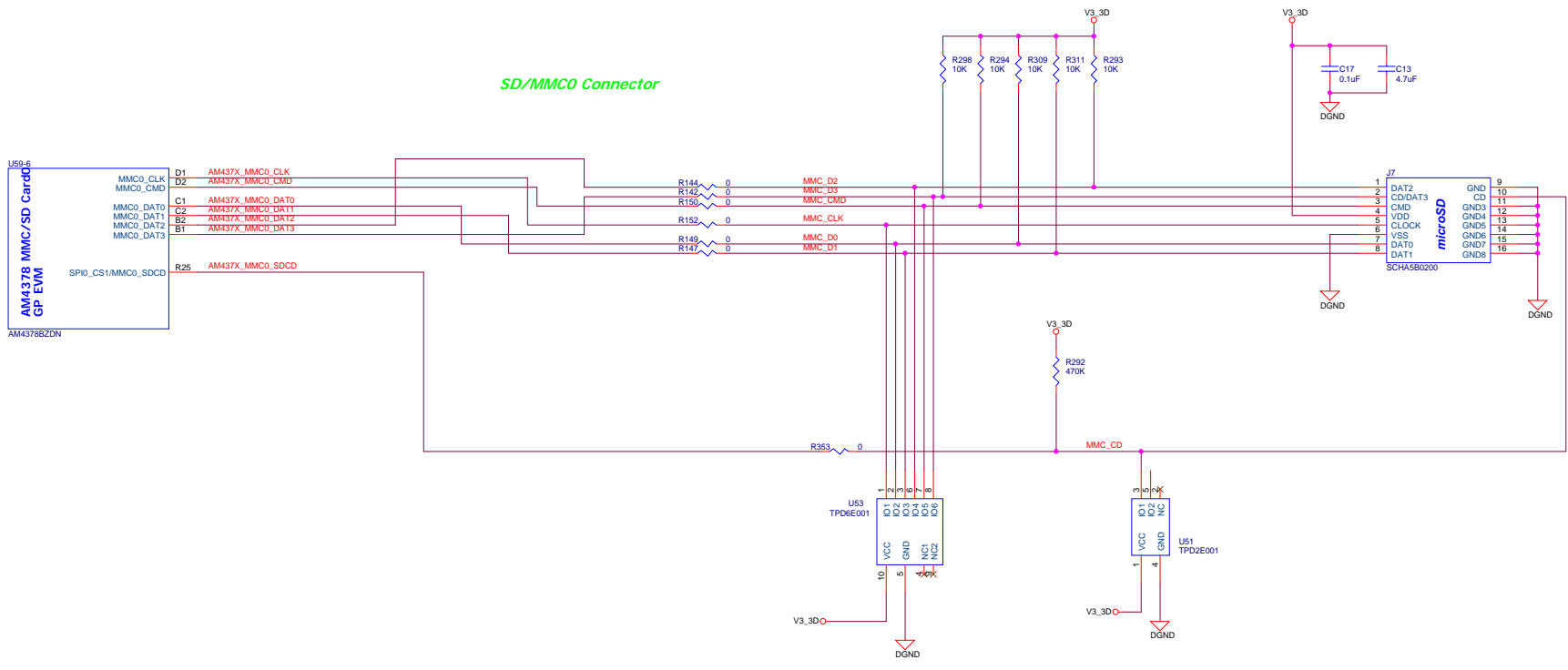
Texas Instruments, Inc.
 ARM MPU Business Unit
 12500 TI Blvd
 Dallas, TX 75243

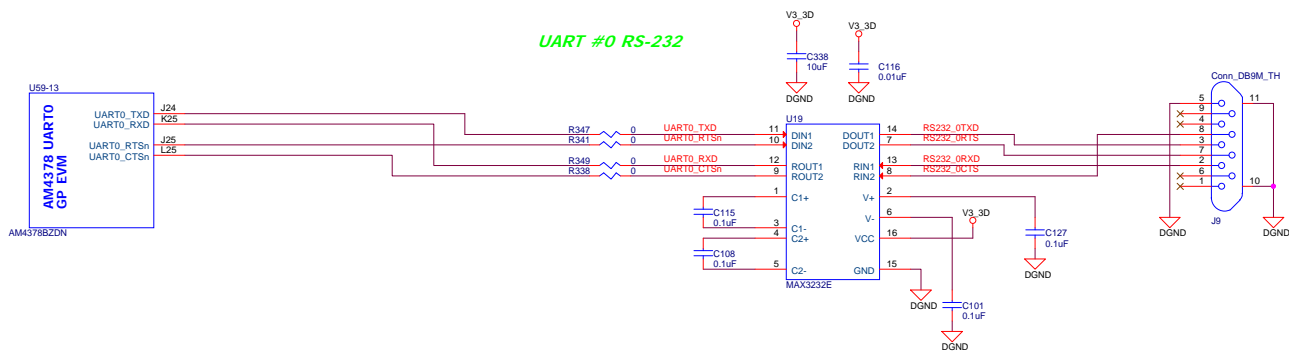
AM4378 General Purpose EVM
 DDR3 SDRAM Memory

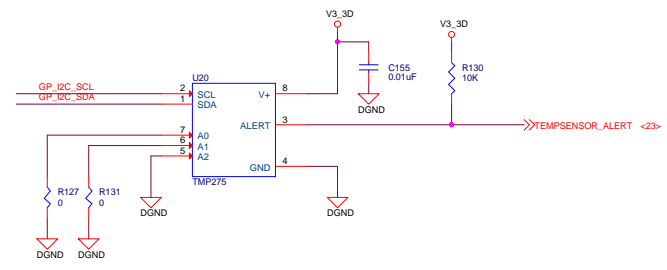
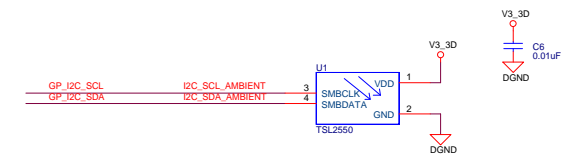
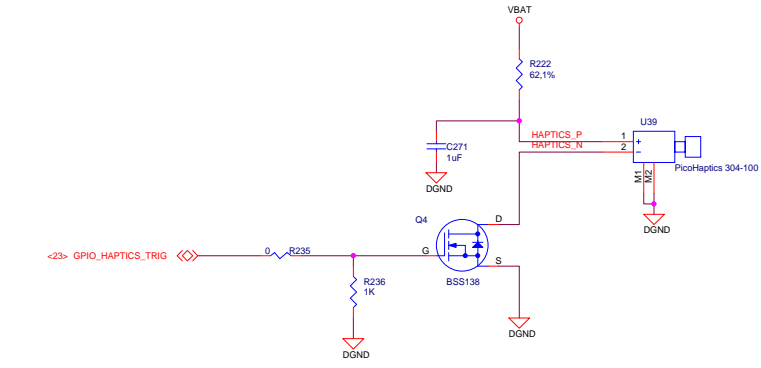
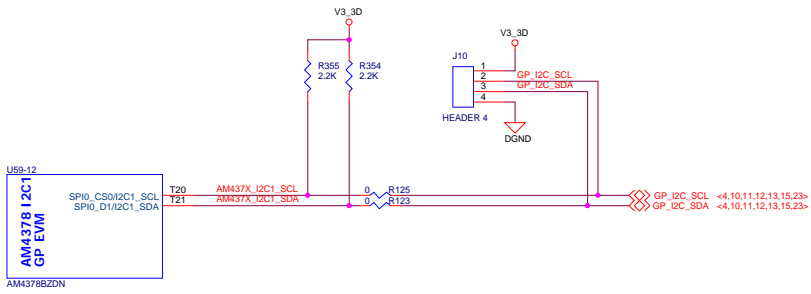
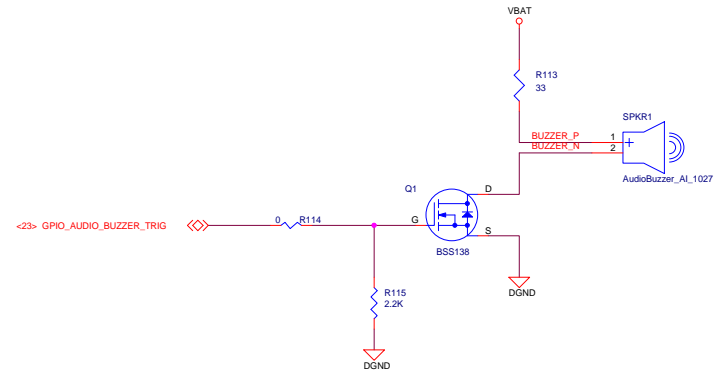
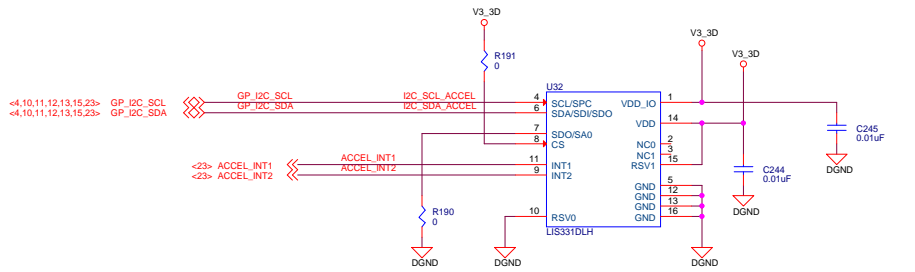
Size	Document Number	Modified By:	Rev
C	am437x_gp_evm_360006_rev1.5b.dsn	Damon Donke	1.5B

Date: Tuesday, April 14, 2015 Sheet: 6 of 27

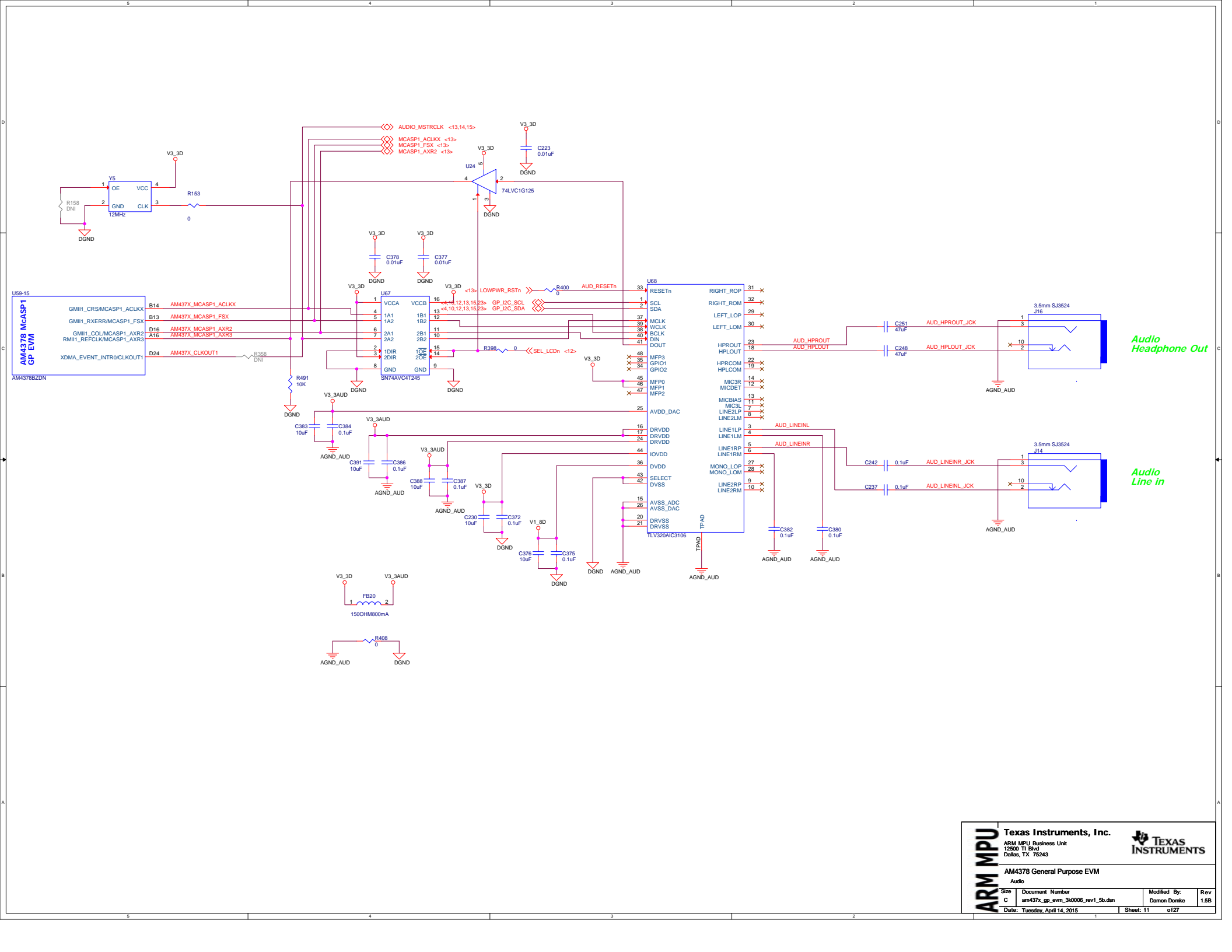








ARM MPU	Texas Instruments, Inc.			
	ARM MPU Business Unit 12500 TI Blvd Dallas, TX 75243			
	AM4378 General Purpose EVM Sensors, Buzzer, and Haptics			
	Size	Document Number	Modified By:	Rev
C	am437x_gp_evm_3k0006_rev1_sb.dsn	Damon Domke	1.5B	
Date: Tuesday, April 14, 2015		Sheet: 10 of 27		



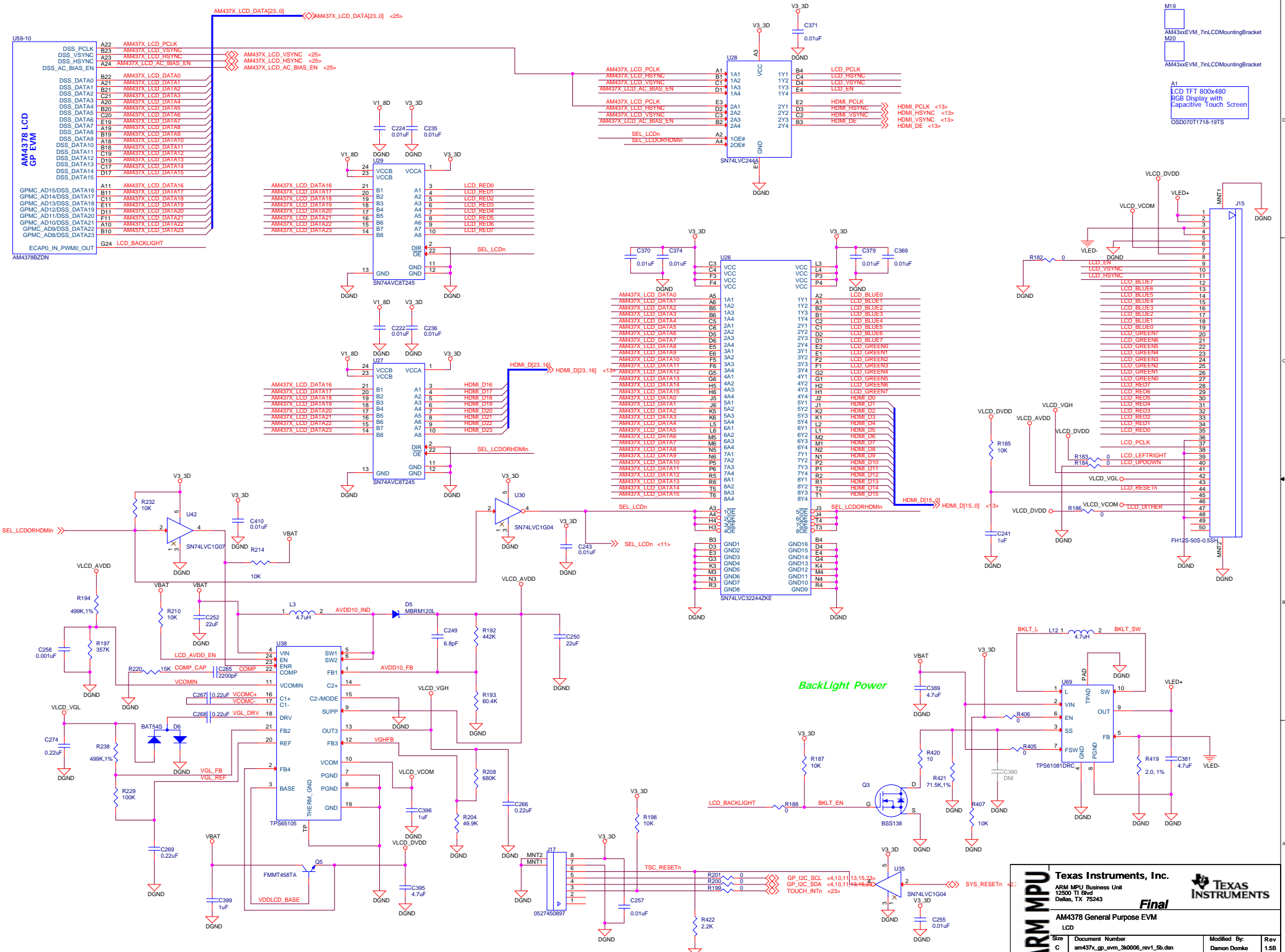
AM4378BZDN

US9-15	GMIIH_CRS/MCASPI1_ACLKX	B14	AM437X_MCASPI1_ACLKX
	GMIIH_RXERR/MCASPI1_FSX	B13	AM437X_MCASPI1_FSX
	GMIIH_COL/MCASPI1_AXR2	D16	AM437X_MCASPI1_AXR2
	RMIIH_REFCLK/MCASPI1_AXR3	A16	AM437X_MCASPI1_AXR3
	XDMA_EVENT_INTR0/CLKOUT1	D24	AM437X_CLKOUT1

Audio Headphone Out

Audio Line In

ARM MPU	Texas Instruments, Inc.			
	ARM MPU Business Unit 12500 TI Blvd Dallas, TX 75243			
	AM4378 General Purpose EVM			
	Audio			
Size	Document Number	Modified By:	Rev	
C	am437x_gp_evm_3k0006_rev1_5b.dsn	Damon Domke	1.5B	
Date:	Tuesday, April 14, 2015	Sheet:	11	of 27



Texas Instruments, Inc.
 ARM MPU Business Unit
 12500 TI Blvd
 Dallas, TX 75243

Final

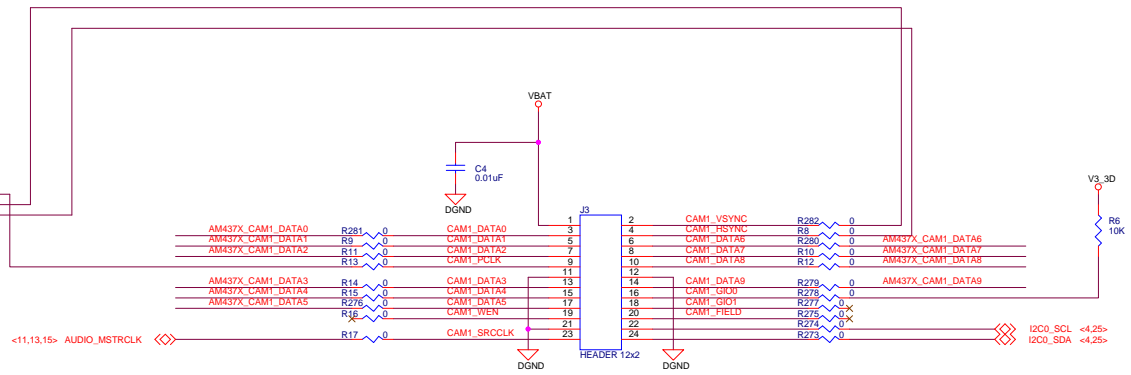
AM4378 General Purpose EVM
 LCD

Size	Document Number	Modified By:	Rev
C	am437x_gp_evm_3k0006_rev1_5b.dsn	Damon Domke	1.5B

Date: Tuesday, April 14, 2015
 Sheet: 12 of 127

U99-17
**AM4378 Camera1
 GP EVM**
 AM4378BZDN

CAM1_PCLK	AE21	AM437X_CAM1_PCLK
CAM1_VSYNC	AC23	AM437X_CAM1_VSYNC
CAM1_HSYNC	AD25	AM437X_CAM1_HSYNC
CAM1_DATA0	AB20	AM437X_CAM1_DATA0
CAM1_DATA1	AC21	AM437X_CAM1_DATA1
CAM1_DATA2	AD22	AM437X_CAM1_DATA2
CAM1_DATA3	AE22	AM437X_CAM1_DATA3
CAM1_DATA4	AE23	AM437X_CAM1_DATA4
CAM1_DATA5	AD23	AM437X_CAM1_DATA5
CAM1_DATA6	AE24	AM437X_CAM1_DATA6
CAM1_DATA7	AD24	AM437X_CAM1_DATA7
CAM1_DATA8	AC24	AM437X_CAM1_DATA8
CAM1_DATA9		

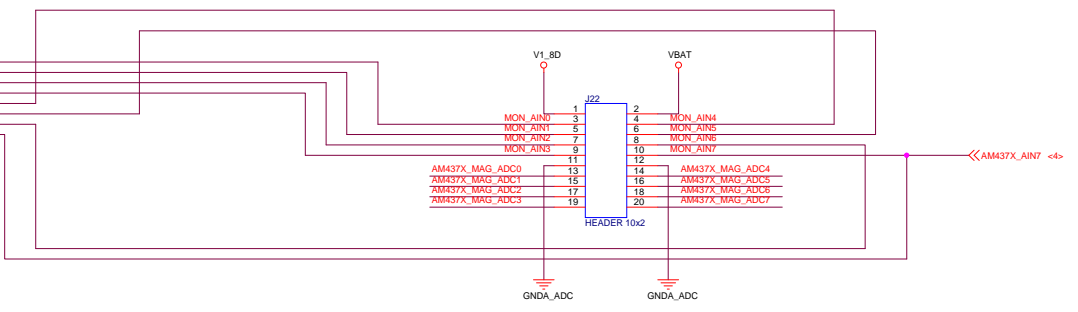
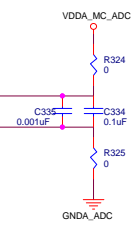
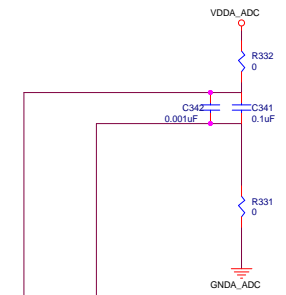


PCB2
 Camera Board Assembled PCB

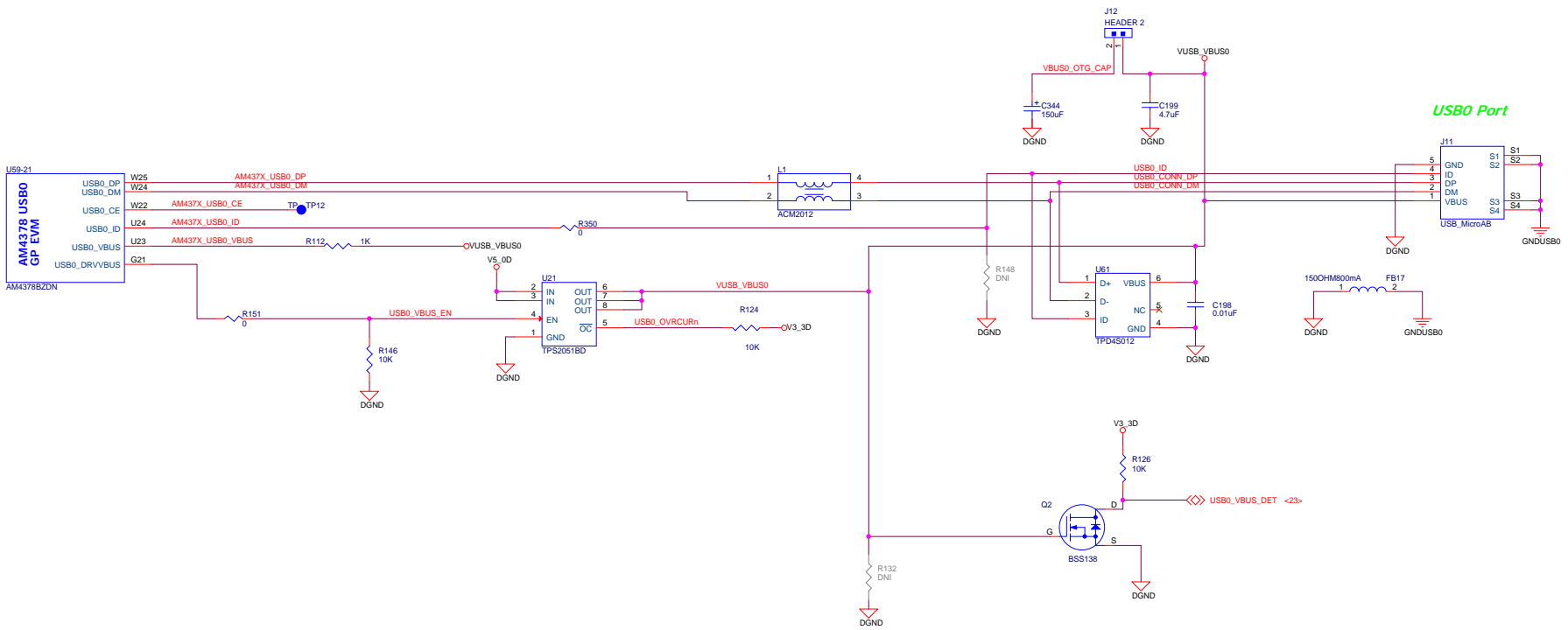
U59-7
AM4378 ADC INPUTS
GPIO

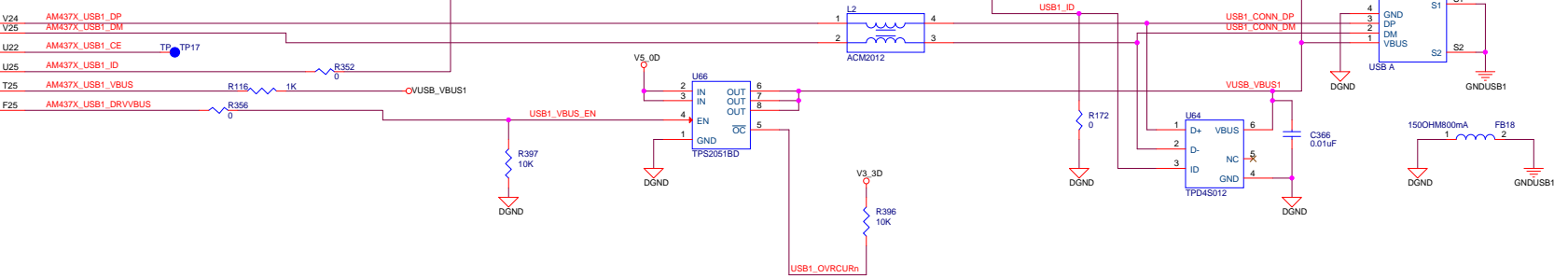
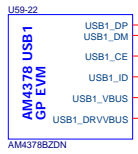
ADC0_VREFP	AD14	AM437X_VREFP
ADC0_VREFN	AE14	AM437X_VREFN
ADC0_AIN0	AA12	AM437X_AIN0
ADC0_AIN1	Y12	AM437X_AIN1
ADC0_AIN2	Y13	AM437X_AIN2
ADC0_AIN3	AA13	AM437X_AIN3
ADC0_AIN4	AB13	AM437X_AIN4
ADC0_AIN5	AC13	AM437X_AIN5
ADC0_AIN6	AD13	AM437X_AIN6
ADC0_AIN7	AE13	AM437X_AIN7
ADC1_VREFP	AE15	
ADC1_VREFN	AD15	
ADC1_AIN0	AC16	AM437X_MAG_ADC0
ADC1_AIN1	AB16	AM437X_MAG_ADC1
ADC1_AIN2	AA16	AM437X_MAG_ADC2
ADC1_AIN3	AB15	AM437X_MAG_ADC3
ADC1_AIN4	AA15	AM437X_MAG_ADC4
ADC1_AIN5	Y15	AM437X_MAG_ADC5
ADC1_AIN6	AE16	AM437X_MAG_ADC6
ADC1_AIN7	AD16	AM437X_MAG_ADC7

AM4378BZDN



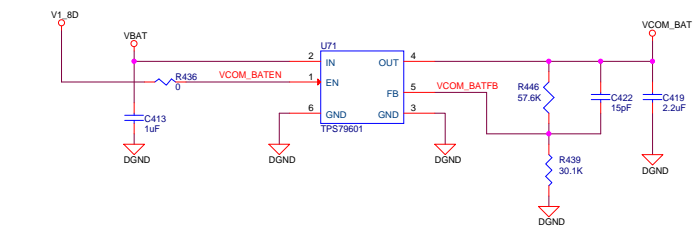
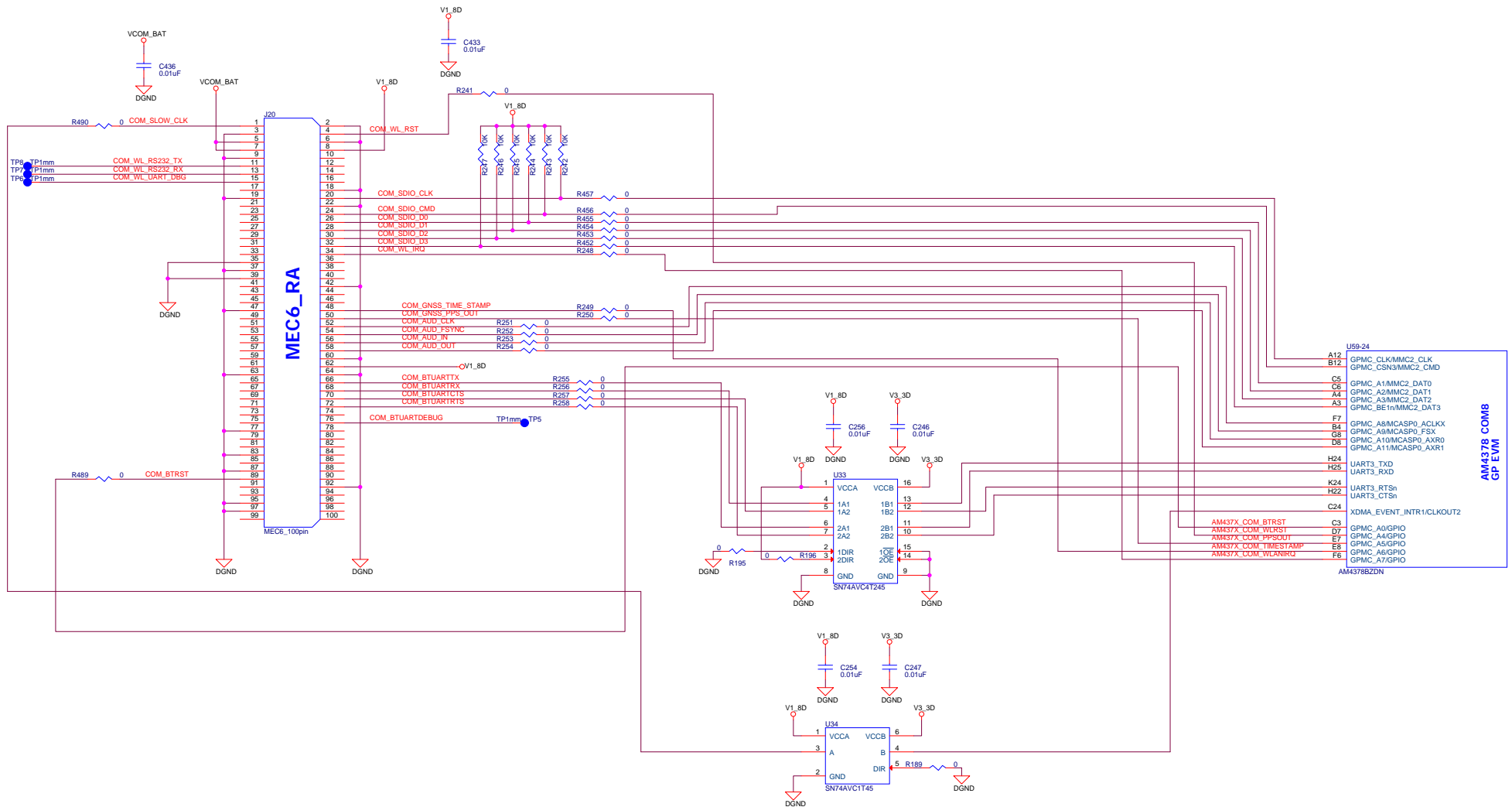
ARM MPU	Texas Instruments, Inc.			
	ARM MPU Business Unit 12500 TI Blvd Dallas, TX 75243			
	AM4378 General Purpose EVM			
	ADC Test Header			
Size	Document Number	Modified By:	Rev	
C	am437x_gp_evm_3k0006_rev1_5b.dsn	Damon Domke	1.5B	
Date:	Tuesday, April 14, 2015	Sheet:	16	of 27



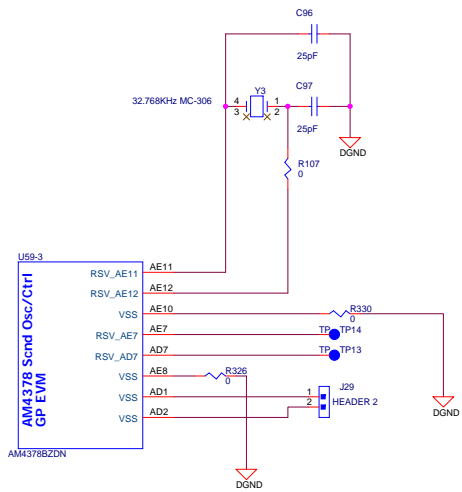


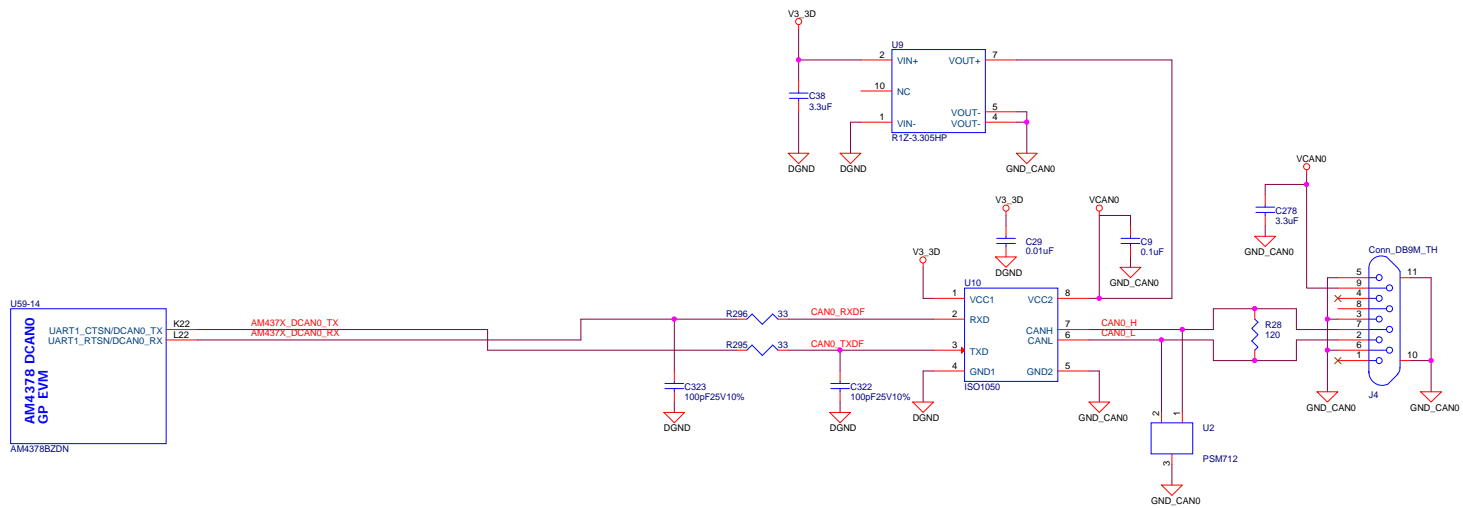
USB1 Port

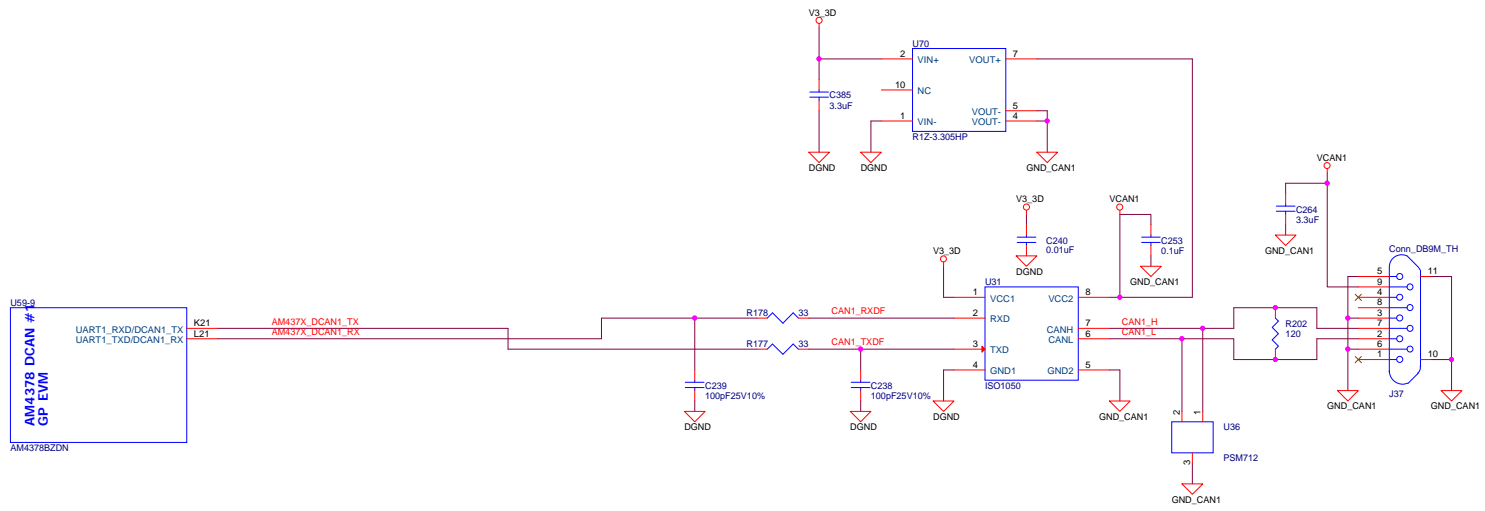
ARM MPU	Texas Instruments, Inc.			
	ARM MPU Business Unit 12500 TI Blvd Dallas, TX 75243			
	AM4378 General Purpose EVM			
USB				
Size	Document Number	Modified By:	Rev	
C	am437x_gp_evm_3k0006_rev1_5b.dsn	Damon Domke	1.5B	
Date: Tuesday, April 14, 2015		Sheet: 18 of 27		

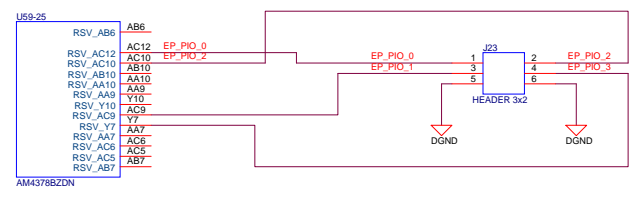
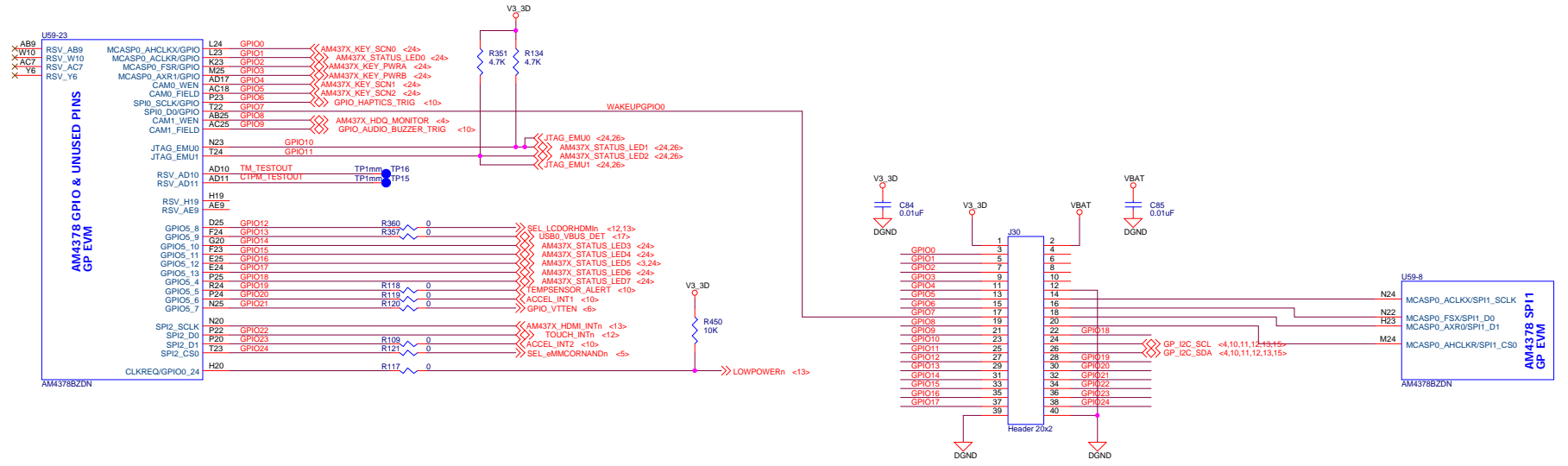


ARM MPU	Texas Instruments, Inc.		
	ARM MPU Business Unit 12500 TI Blvd Dallas, TX 75243		
	AM4378 General Purpose EVM		
	WLANBluetooth COM Board		
Size	Document Number	Modified By:	Rev
C	am437x_gp_evm_3k0006_rev1_5b.dsn	Damon Domke	1.5B
Date: Tuesday, April 14, 2015		Sheet: 19	of 27

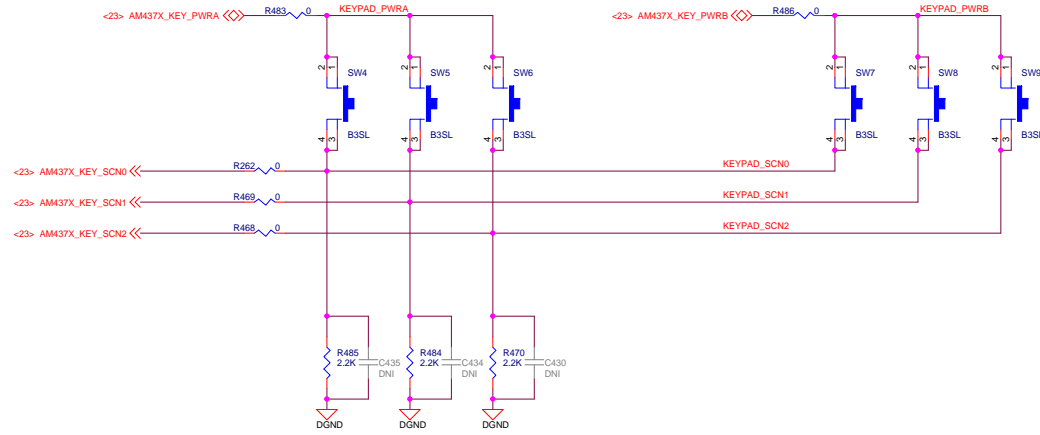




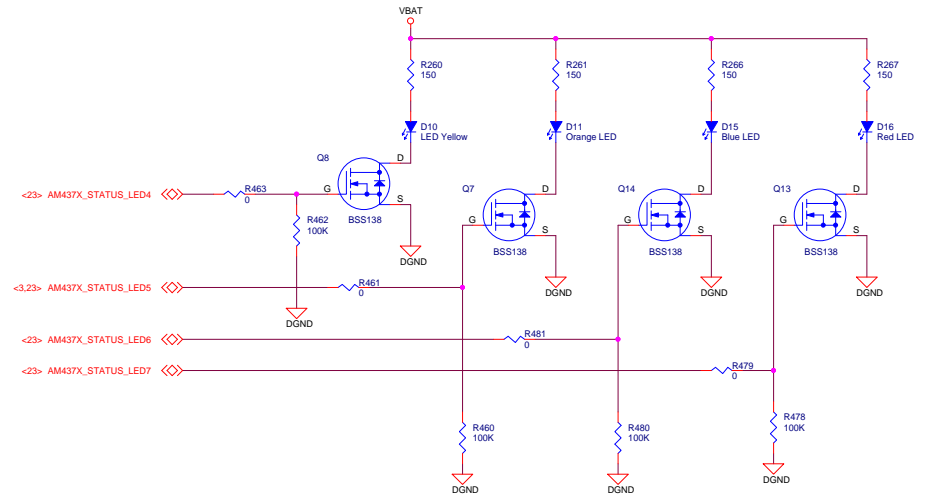
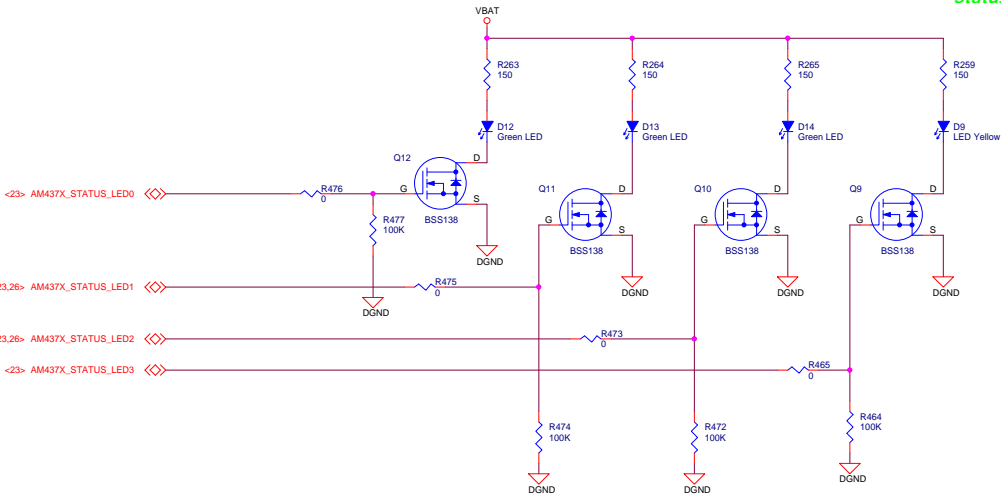




Key Pad - Top Side

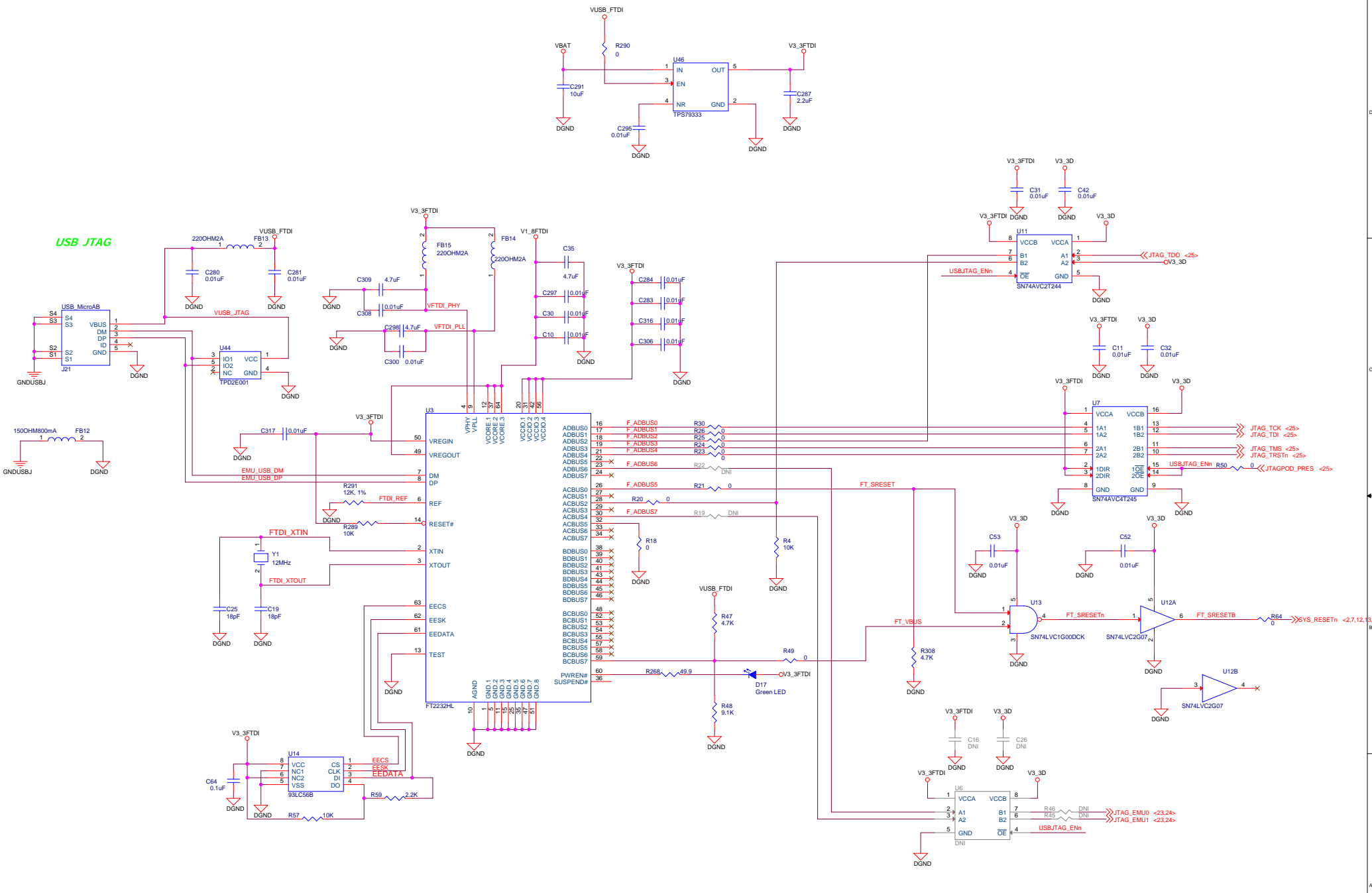


Status LED's



ARM MPU	Texas Instruments, Inc.			
	ARM MPU Business Unit 12500 TI Blvd Dallas, TX 75243			
	AM4378 General Purpose EVM			
	Keypad/Status LED's			
Size	Document Number	Modified By:	Rev	
C	am437x_gp_evm_3k0006_rev1_5b.dsn	Damon Domke	1.5B	
Date: Tuesday, April 14, 2015		Sheet: 24		of 27

USB JTAG



ARM MPU	Texas Instruments, Inc.		
	ARM MPU Business Unit 12500 TI Blvd Dallas, TX 75243		
	AM4378 General Purpose EVM		
	USB JTAG		
Size	Document Number	Modified By:	Rev
C	am437x_gp_evm_3k0006_rev1_5b.dsn	Damon Domke	1.5B
Date:	Tuesday, April 14, 2015	Sheet: 26	of 27

