

# UC3525A

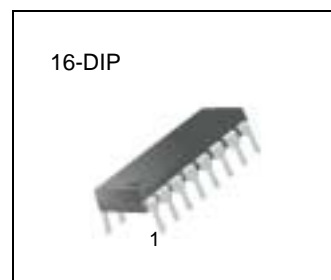
## SMPS Controller

### Features

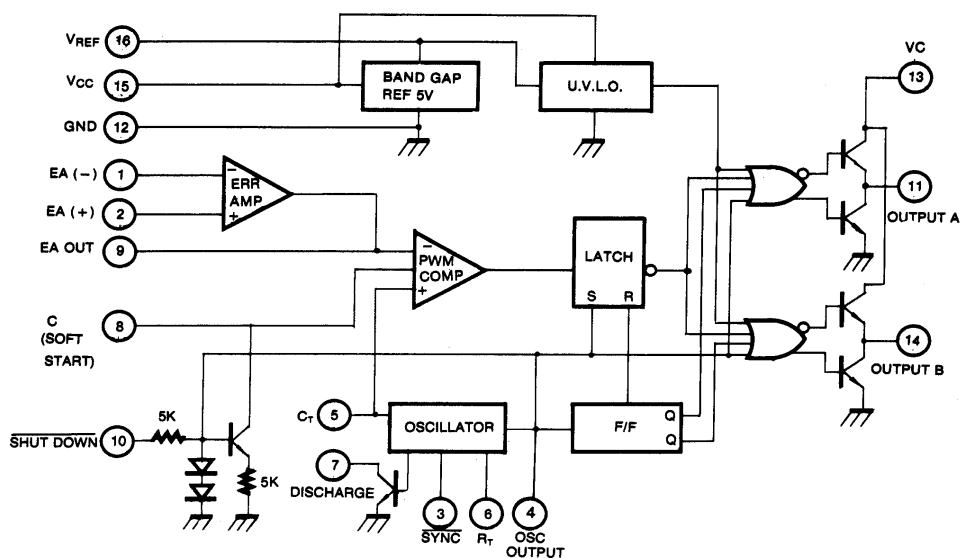
- 5V ± 1% Reference
- Oscillator Sync terminal
- Internal Soft Start
- Deadtime Control
- Under-Voltage Lockout

### Description

UC3525A is a monolithic integrated circuit that includes all of the control circuit necessary for a pulse width modulating regulator. There are a voltage reference, an error amplifier, a pulse width modulator, an oscillator, under-voltage lockout, soft start circuit, and output drivers in the chip.



### Internal Block Diagram



## Absolute Maximum Ratings

Parameter	Symbol	Value	Unit
Supply Voltage	V <sub>CC</sub>	40	V
Collector Supply Voltage	V <sub>C</sub>	40	V
Output Current, Sink or Source	I <sub>O</sub>	500	mA
Reference Output Current	I <sub>REF</sub>	50	mA
Oscillator Charging Current	I <sub>CHG(OSC)</sub>	5	mA
Power Dissipation (T <sub>A</sub> = 25°C)	P <sub>D</sub>	1000	m/W
Operating Temperature	T <sub>OPR</sub>	0 ~ +70	°C
Storage Temperature	T <sub>STG</sub>	-65 ~ +150	°C
Lead Temperature (Soldering, 10 sec)	T <sub>LEAD</sub>	+300	°C

## Electrical Characteristics

(V<sub>CC</sub> = 20V, T<sub>A</sub> = -30°C to +85°C, unless otherwise specified)

Parameter	Symbol	Conditions	Min.	Typ.	Max.	Unit
<b>REFERENCE SECTION</b>						
Reference Output Voltage	V <sub>REF</sub>	T <sub>J</sub> = 25°C	5.0	5.1	5.2	V
Line Regulation	ΔV <sub>REF</sub>	V <sub>CC</sub> = 8 to 35V	-	9	20	mV
Load Regulation	ΔV <sub>REF</sub>	I <sub>REF</sub> = 0 to 20mA	-	20	50	mV
Short Circuit Output Current	I <sub>SC</sub>	V <sub>REF</sub> = 0, T <sub>J</sub> = 25°C	-	80	100	mA
Total Output Variation (Note 1)	ΔV <sub>REF</sub>	Line, Load and Temperature	4.95	-	5.25	V
Temperature Stability (Note 1)	ST <sub>T</sub>	-	-	20	50	mV
Long Term Stability (Note 1)	ST	T <sub>J</sub> = 125°C, 1 KHRs	-	20	50	mV
<b>OSCILLATOR SECTION</b>						
Initial Accuracy (Note 1, 2)	ACCUR	T <sub>J</sub> = 25°C	-	± 3	± 6	%
Frequency Change With Voltage	Δf/ΔV <sub>CC</sub>	V <sub>CC</sub> = 8 to 35V (Note 1, 2)	-	± 0.8	± 2	%
Maximum Frequency	f <sub>(MAX)</sub>	R <sub>T</sub> = 2KΩ, C <sub>T</sub> = 470pF	400	430	-	KHz
Minimum Frequency	f <sub>(MIN)</sub>	R <sub>T</sub> = 200KΩ, C <sub>T</sub> = 0.1uF	-	60	120	Hz
Clock Amplitude (Note 1, 2)	V <sub>(CLK)</sub>	-	3	4	-	V
Clock Width (Note 1, 2)	t <sub>W(CLK)</sub>	T <sub>J</sub> = 25°C	0.3	0.6	1	μs
Sync Threshold	V <sub>TH(SYNC)</sub>	-	1.2	2	2.8	V
Sync Input Current	I <sub>I(SYNC)</sub>	Sync = 3.5V	-	1.3	2.5	mA

## Electrical Characteristics

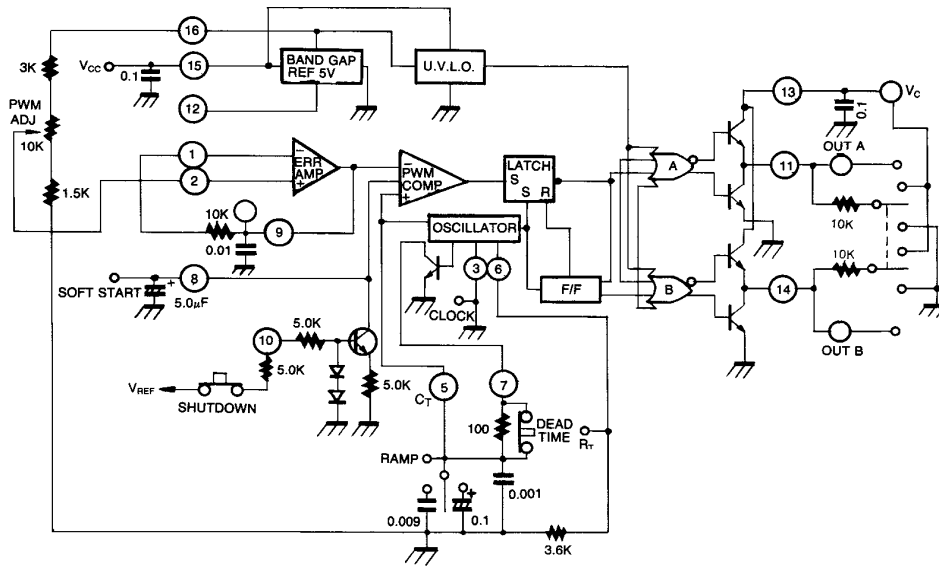
( $V_{CC} = 20V$ ,  $T_A = 0$  to  $+85^{\circ}C$ , unless otherwise specified)

Parameter	Symbol	Conditions	Min.	Typ.	Max.	Unit
<b>ERROR AMPLIFIER SECTION (<math>V_{CM} = 5.1V</math>)</b>						
Input Offset Voltage	$V_{IO}$	-	-	1.5	10	mV
Input Bias Current	$I_{BIAS}$	-	-	1	10	$\mu A$
Input Offset Current	$I_{IO}$	-	-	0.1	1	$\mu A$
Open Loop Voltage Gain	$G_{VO}$	$R_L \geq 10M\Omega$	60	80	-	dB
Common Mode Rejection Ratio	CMRR	$V_{CM} = 1.5$ to $5.2V$	60	90	-	dB
Power Supply Rejection Ratio	PSRR	$V_{CC} = 8$ to $3.5V$	50	60	-	dB
<b>PWM COMPARATOR SECTION</b>						
Minimum Duty Cycle	$D(MIN)$	-	-	-	0	%
Maximum Duty Cycle	$D(MAX)$	-	45	49	-	%
Input Threshold Voltage (Note 2)	$V_{TH1}$	Zero Duty Cycle	0.7	0.9	-	V
Input Threshold Voltage (Note 2)	$V_{TH2}$	Max Duty Cycle	-	3.2	3.6	V
<b>SOFT-START SECTION</b>						
Soft Start Current	$I_{SOFT}$	$V_{SD} = 0V$ , $V_{SS} = 0V$	25	51	80	$\mu A$
Soft Start Low Level Voltage	$V_{SL}$	$V_{SD} = 25V$	-	0.3	0.7	V
Shutdown Threshold Voltage	$V_{TH(SD)}$	-	0.6	0.8	1	V
Shutdown Input Current	$I_{N(SD)}$	$V_{SD} = 2.5V$	-	0.3	1	mA
<b>OUTPUT SECTION</b>						
Low Output Voltage I	$V_{OL I}$	$I_{SINK} = 20mA$	-	0.1	0.4	V
Low Output Voltage II	$V_{OL II}$	$I_{SINK} = 100mA$	-	0.05	2	V
High Output Voltage I	$V_{CH I}$	$I_{SOURCE} = 20mA$	18	19	-	V
High Output Voltage II	$V_{CH II}$	$I_{SOURCE} = 100mA$	17	18	-	V
Under Voltage Lockout	$V_{UV}$	$V_8$ and $V_9 = High$	6	7	8	V
Collector Leakage Current	$I_{LKG}$	$V_{CC} = 35V$	-	80	200	$\mu A$
Rise Time (Note 1)	$t_R$	$C_L = 1\mu F$ , $T_J = 25^{\circ}C$	-	80	600	ns
Fall Time (Note 1)	$t_F$	$C_L = 1\mu F$ , $T_J = 25^{\circ}C$	-	70	300	ns
<b>STANDBY CURRENT</b>						
Supply Current	$I_{CC}$	$V_{CC} = 35V$	-	12	20	mA

### Notes :

1. These parameters, although guaranteed over the recommended operating conditions, are not 100% tested in production
2. Tested at  $f_{OSC} = 40$  KHz ( $R_T = 3.6K$ ,  $C_T = 0.01\mu F$ ,  $R_I = 0\Omega$ )

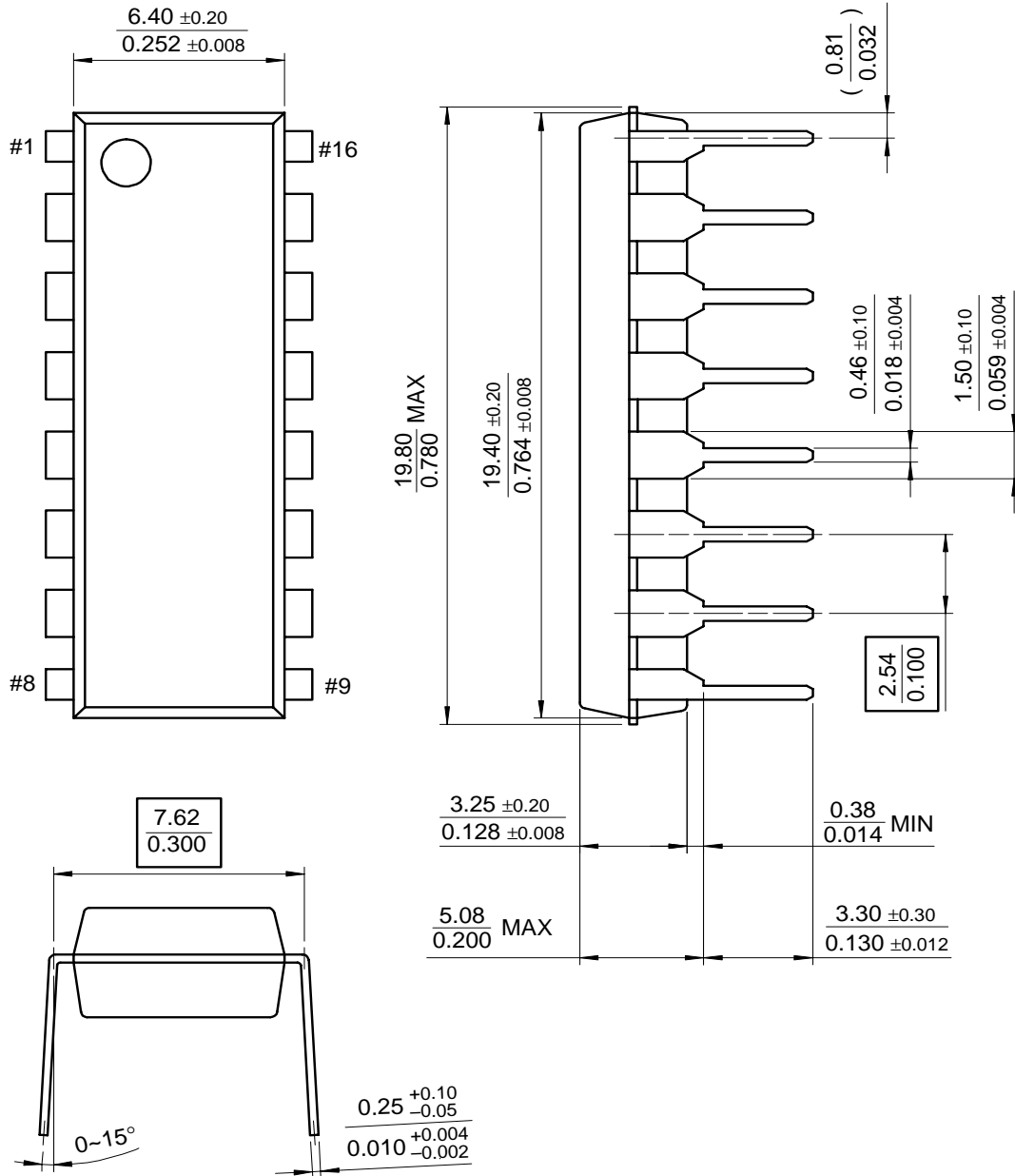
# Test Circuit



# Mechanical Dimensions

## Package

### 16-DIP



## Ordering Information

Product Number	Package	Operating Temperature
UC3525AN	16-DIP	-30 ~ +85°C



**LIFE SUPPORT POLICY**

FAIRCHILD'S PRODUCTS ARE NOT AUTHORIZED FOR USE AS CRITICAL COMPONENTS IN LIFE SUPPORT DEVICES OR SYSTEMS WITHOUT THE EXPRESS WRITTEN APPROVAL OF THE PRESIDENT OF FAIRCHILD SEMICONDUCTOR INTERNATIONAL. As used herein:

1. Life support devices or systems are devices or systems which, (a) are intended for surgical implant into the body, or (b) support or sustain life, and (c) whose failure to perform when properly used in accordance with instructions for use provided in the labeling, can be reasonably expected to result in a significant injury of the user.
2. A critical component in any component of a life support device or system whose failure to perform can be reasonably expected to cause the failure of the life support device or system, or to affect its safety or effectiveness.



**This datasheet has been downloaded from:**

**[www.EEworld.com.cn](http://www.EEworld.com.cn)**

**Free Download**

**Daily Updated Database**

**100% Free Datasheet Search Site**

**100% Free IC Replacement Search Site**

**Convenient Electronic Dictionary**

**Fast Search System**

**[www.EEworld.com.cn](http://www.EEworld.com.cn)**