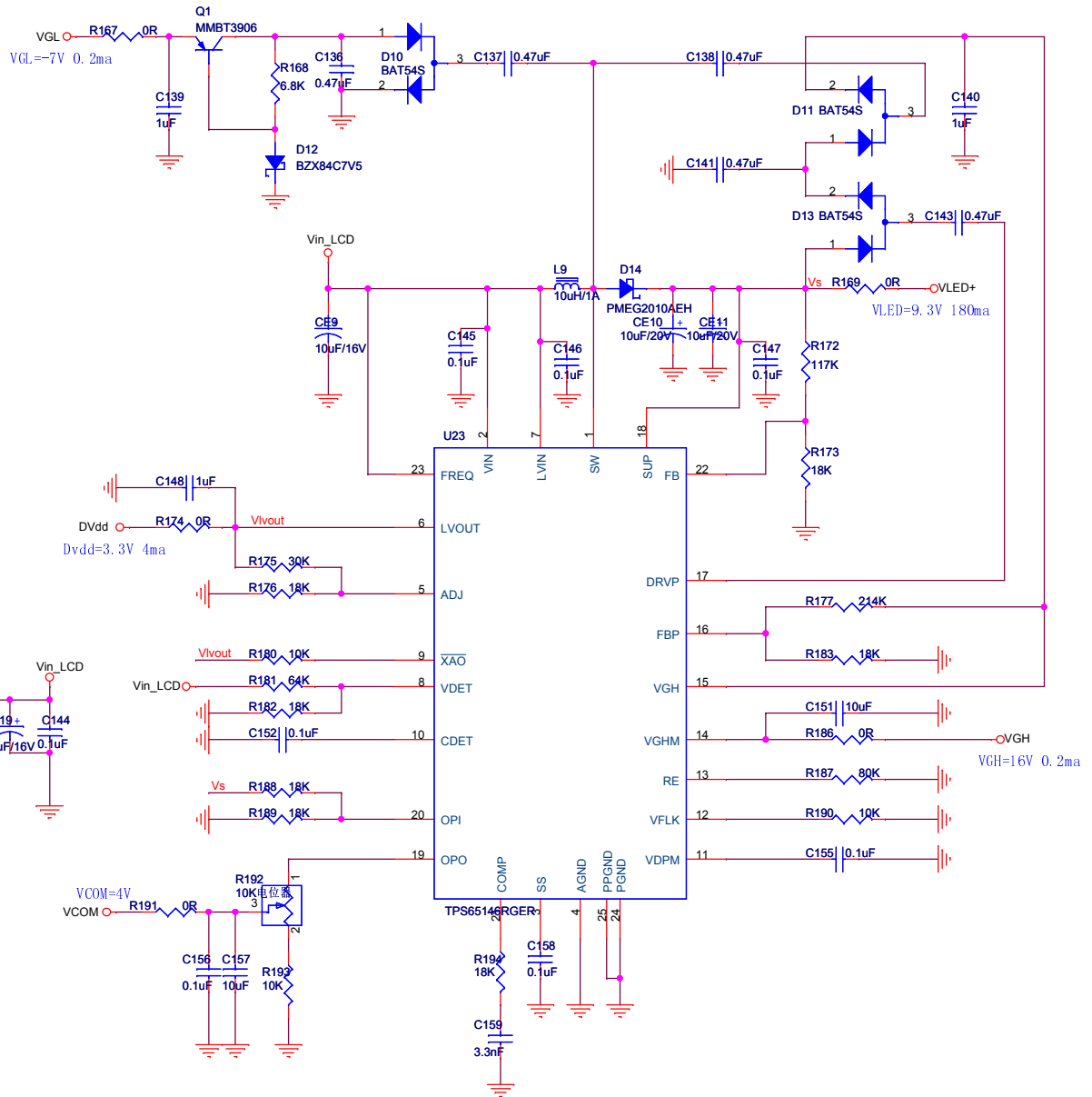
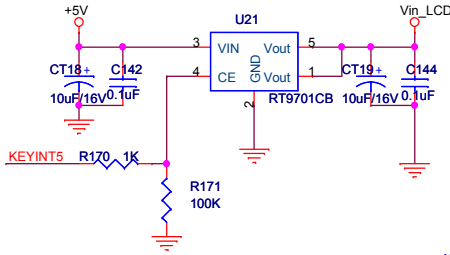
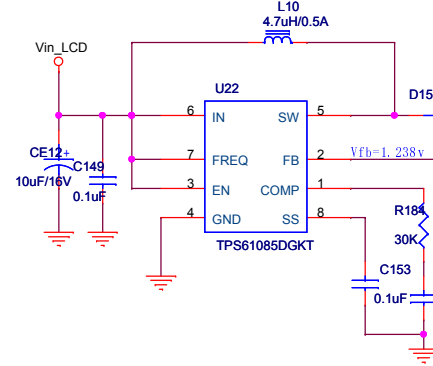
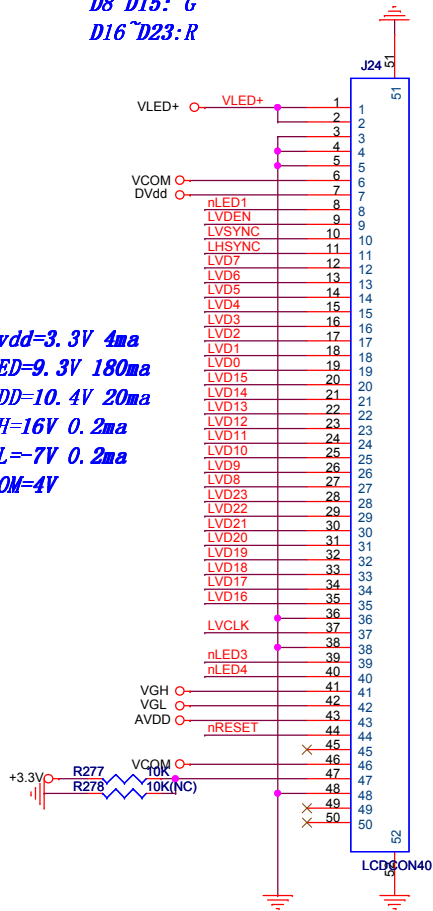


D0~D7: B
D8~D15: G
D16~D23: R

Vdvd=3.3V 4ma
VLED=9.3V 180ma
AVDD=10.4V 20ma
VGH=16V 0.2ma
VGL=-7V 0.2ma
VCOM=4V



Title		
Size B	Document Number	Rev
POWER-LCD		<RevCode>
Date:	Wednesday, February 22, 2012	Sheet 1 of 1