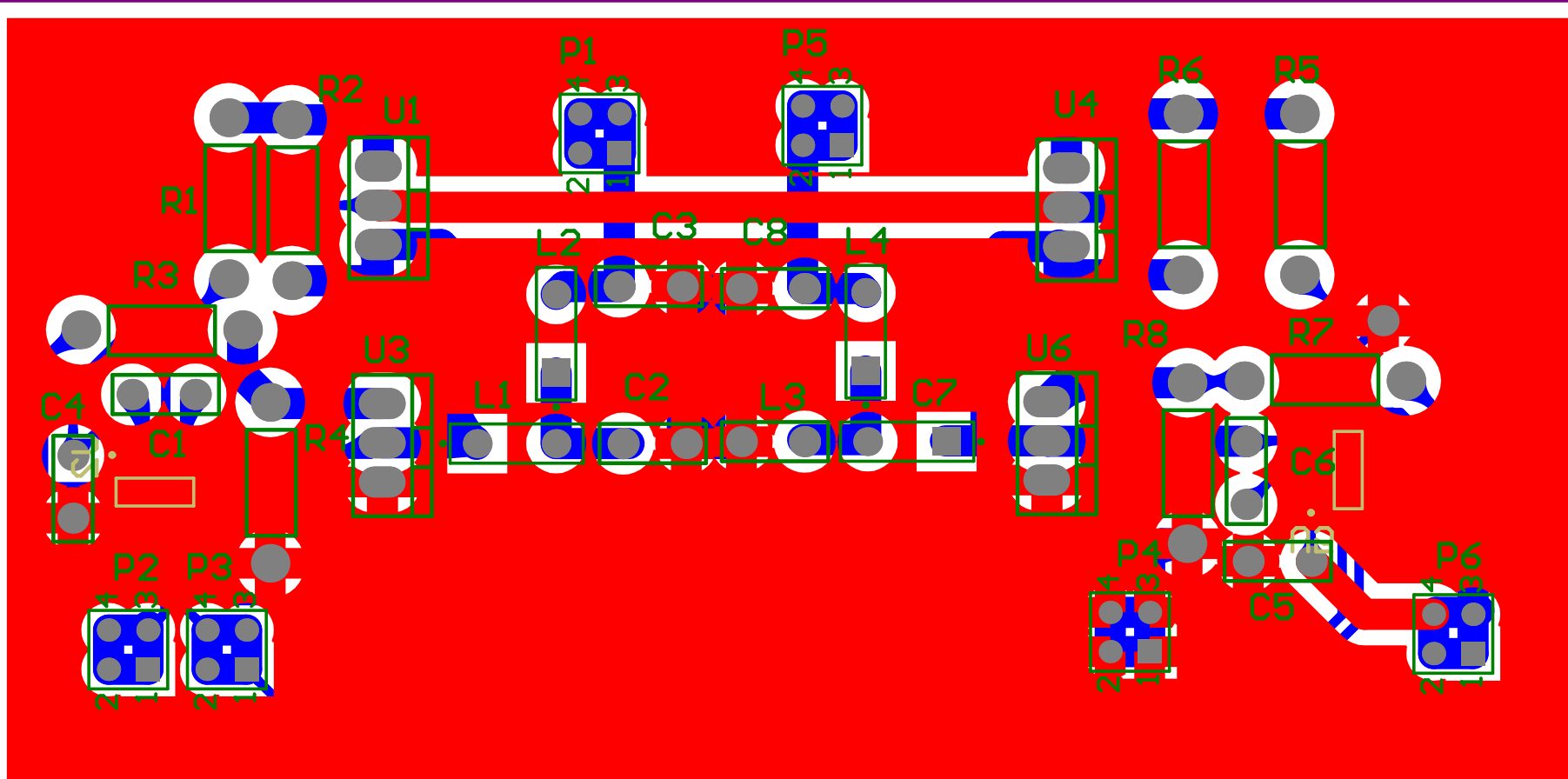


Title		
Size	Number	Revision
A4		
Date:	2012/7/30	Sheet of
File:	E:\A File Altium designer\...\UH	SchDoc Drawn By:

51.69?(mm)



103.09?(mm)

Comment	Description	Designator	Footprint	LibRef	Quantity
10		5.1	Res	Res	1
CAP-DJ		C1, C4, C5, C6	CAP-CP	CAP-DJ	4
cap		C2, C3, C7, C8	CAP-CP	cap	4
Inductor	Inductor	L1, L2, L3, L4	SPST-2	Inductor	4
Header 2X2	Header, 2-Pin, Dual row	P1, P2, P3, P4, P5, P6	HDR2X2	Header 2X2	6
1M		R2, R4, R6, R8	Res	Res	4
5.1		R3, R5, R7	Res	Res	3
IRF540		U1, U3, U4, U6	TO-220	IRF540	4
LM5101B		U2, U5	SOIC-8	LM5101B	2