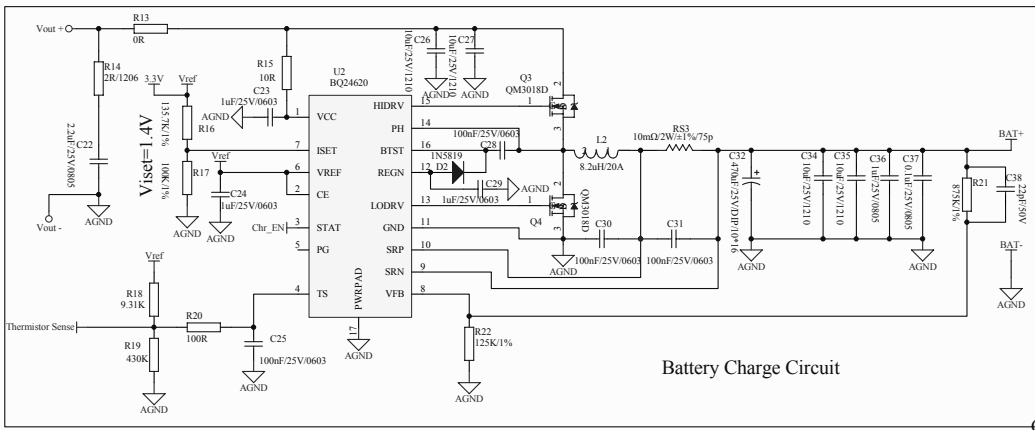
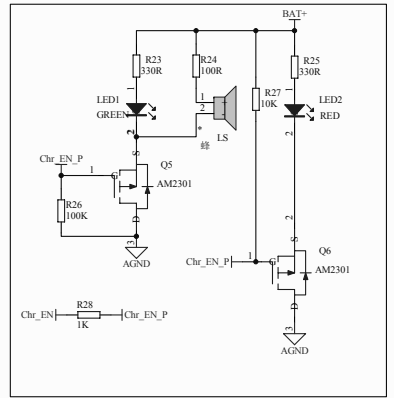


Bosst Circuit

14.5V/5-8A



Battery Charge Circuit



Charge in progress the Chr_EN will be Low
 Charge complete the ChrFULL will be Low
 Charge suspend, timer fault, ACOV, battery absent, the Chr_EN will blink with 0.5Hz

Title		
Size	Number	Revision
A		
Date:	2015-06-16	
File:	F:\Evs\file_VPR20150613001R3 G09-R10\Draw.dwg	
		Sheet of
		4