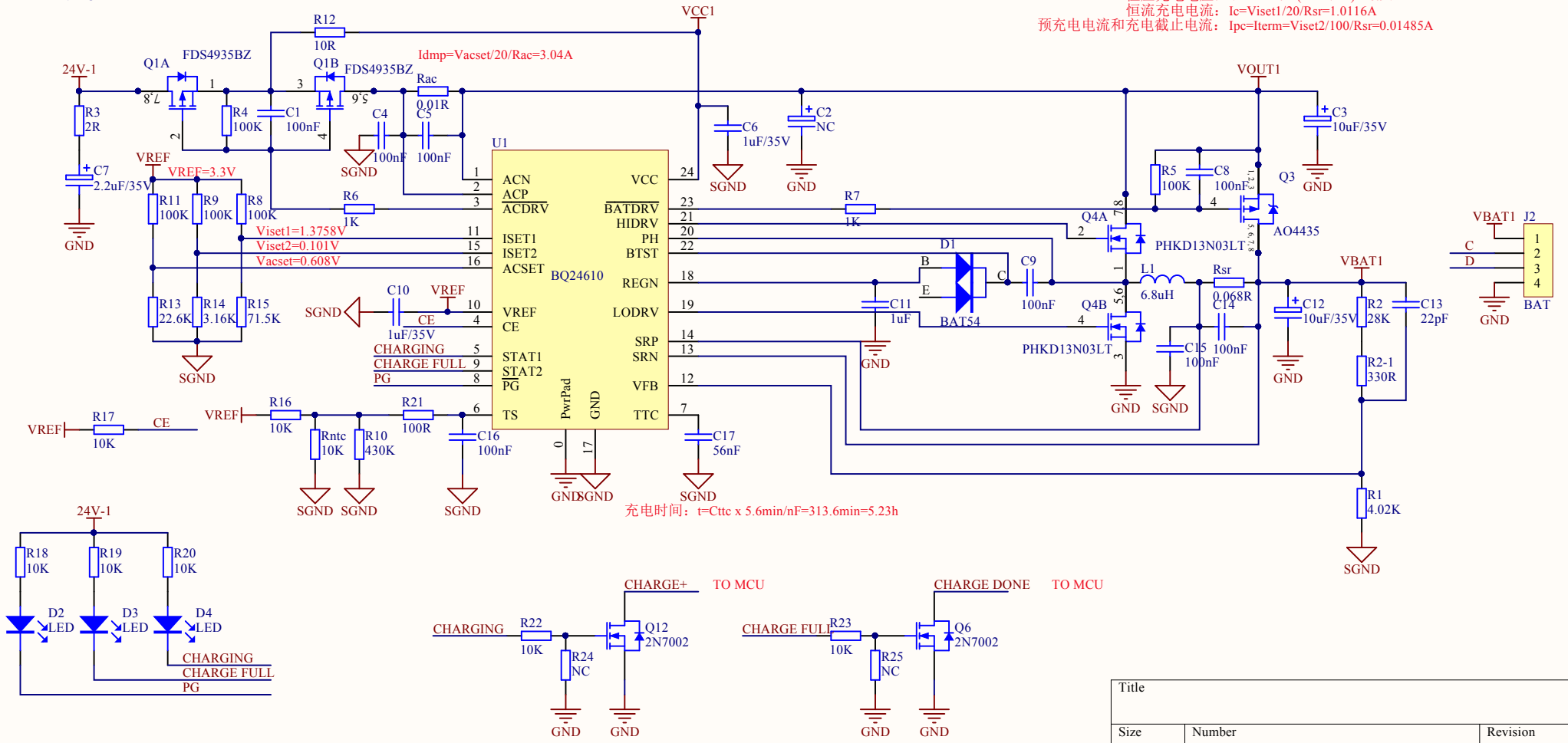


恒压充电电压:  $V_{BAT}=2.1*(1+R2/R1)=16.9V$   
 恒流充电电流:  $I_c=V_{iset1}/20/R_s=1.0116A$   
 预充电电流和充电截止电流:  $I_{pc}=I_{term}=V_{iset2}/100/R_s=0.01485A$

充电时间:  $t=C_{tcc} \times 5.6min/nF=313.6min=5.23h$



Title		
Size	Number	Revision
A4		
Date:	2016/12/29	Sheet of
File:	E:\研发中心\锂电池充电器\锂电池充电器\BMS\BMS_SchDoc	