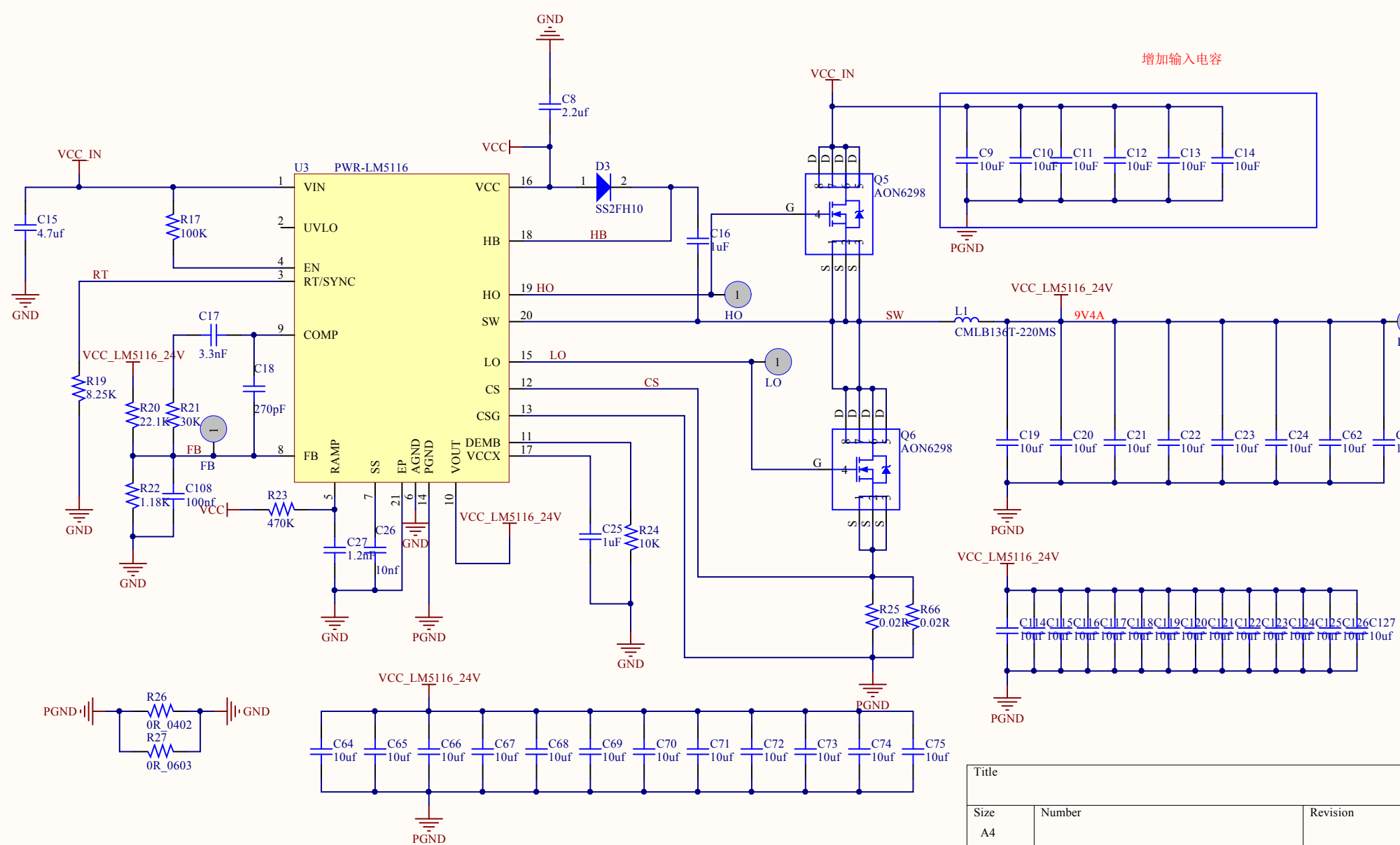


TP4
TP_1.5mm



增加输入电容

Title		
Size	Number	Revision
A4		
Date:	2017/6/14	Sheet of
File:	E:\设计文件\water_pump_POWER LM5116 SchDoc	