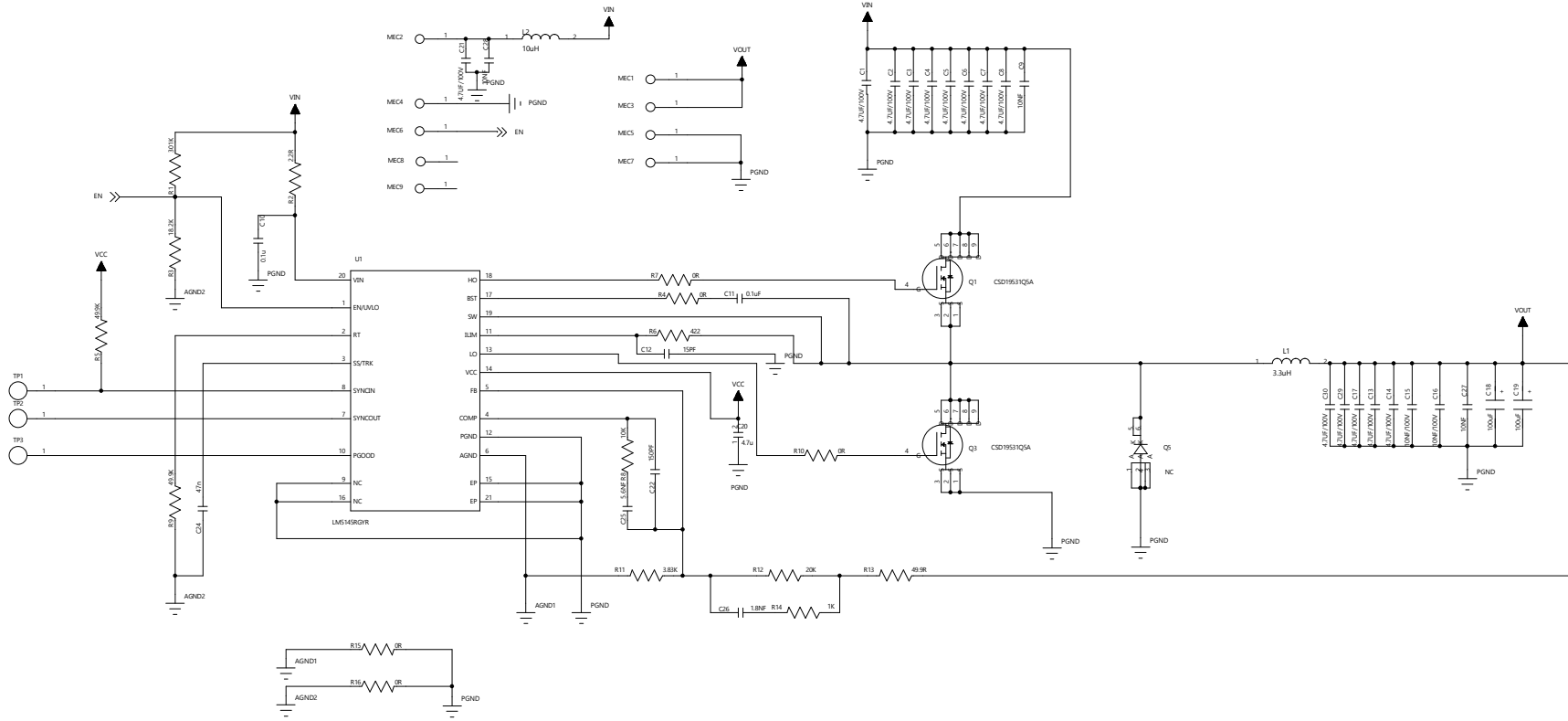


REVISION RECORD			
LTR	ECO NO	APPROVED	DATE



COMPANY:

TITLE:

DRAWN:	DATED:
CHECKED:	DATED:
QUALITY CONTROL:	DATED:
RELEASED:	DATED:

CODE:	SIZE:	DRAWING NO:	REV:
	C		
SCALE:			SHEET: OF 1 1